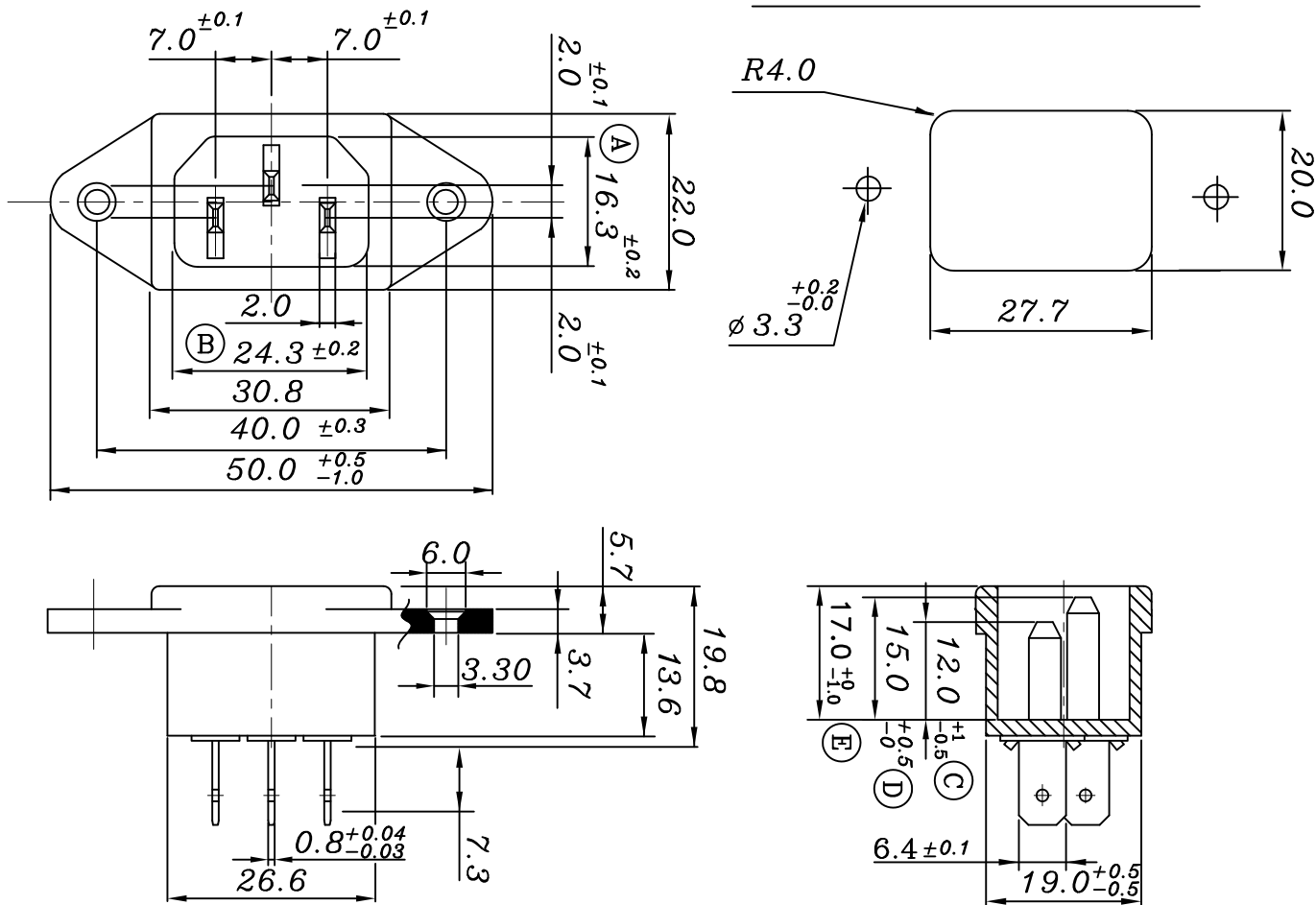



PANEL-CUP OUT



SPECIFICATIONS

1. RATING : 10A 250VAC
15A 250VAC
2. WITHSTAND VOLTAGE : AC 2000V 1 Min
3. INSULATION RESISTANCE : MORE THAN 100MΩ
(at DC 500V)
4. OPERATING TEMPERATURE : -25° C TO +85° C (MAX)
5. SAFETY : 

| | | | |
|-------------------|--------|---|-----------------------------------|
| MATERIAL | | GOLDSUN ELECTRONICS CO., LTD. | |
| | | JAMECO NO. 16652 | GOLDSUN NO. JR-101(S,Q) |
| DRAWN: Colin Hung | | Description AC PLUG CONNECTOR FLANGED 15A Quick Disconnect Terminal | |
| VERIFY PEOPLE: | | Rev. | 1 |
| UNIT: mm | SCALE: | SHEET 1 OF 1 | CAS No: ERN No: |