

# SPECIFICATION

CUSTOMER: JAMES

DATE: '10.07.28

MODEL NO: DFU240080

DESIGNED NO: J3181

## 1. APPLICABLE SAFETY STANDARD :

PSE UL 1310 UL 1950 C-CUL GS CE 商檢

## 2. GENERAL APPEARANCE :

2.1 THE GENERAL APPEARANCE OF THE AC/DC ADAPTOR SHALL BE WITHOUT DEFORMATION, CRACKS OR CORROSION.

2.2 THE SHAPE, DIMENSIONS AND MARKINGS OF THE AC/DC ADAPTOR SHALL BE AS SPECIFIED IN THE CONSTRUCTION DRAWING AND NAME PLATE.

## 3. CHARACTERISTICS :

3.1 PRIMARY RATED VOLTAGE & LINE FREQUENCY : 120 VAC 60 Hz

3.2 PRIMARY EXCITING CURRENT (I<sub>o</sub>) 100 mA MAX. AT INPUT 120 VAC 60 Hz.

LOADING CURRENT (I<sub>p</sub>) X mA MAX. AT INPUT X VAC X Hz, LOAD X A.

3.3 NO - LOAD LOSS : X W MAX. AT INPUT X VAC X Hz.

3.4 SECONDARY RATED VOLTAGE AND CURRENT :

PRIMARY VOLTAGE	RATE VOLTAGE	TOLERANCE	RATED CURRENT	NO-LOAD VOLTAGE	REGULATION
120VAC 60Hz	24VDC	±5%	800mA-DC		

3.5 RIPPLE VOLTAGE : X mV(r.m.s) MAX. AT INPUT X VAC X Hz, LOAD X A.

3.6 DC RESISTANCE : PRIMARY: X Ω ± X % MEASURED AT 25 °C .

3.7 HI-POT TEST : AC 1240 V 50/60Hz FOR 1 MINUTES BETWEEN INPUT TO OUTPUT PLUG AND CASE NEED NORMAL PERFORMANCE , LEAKAGE CURRENT 1 mA.

3.8 INSULATION RESISTANCE : 500 VDC 100 MΩ MIN. BETWEEN INPUT TO OUTPUT PLUG AND CASE.

3.9 TEMPERATURE RISE :INPUT 120 VAC 60 Hz, OUTPUT LOAD 0.8 A FOR INPUT COIL 75 °C MAX (BY USE RESISTANCE METHOD) ON CASE SURFACE X °C MAX (BY USE THERMOMETER METHOD) AT 25°C AMBIENT.

3.10 HUMIDITY TEST : TEMP. 40±2 °C, 90-95 % R.H FOR 4 HOURS , AFTER AT MINUTES TAKEN OUT FROM OVEN . AND WIPED DRY. TEST 3.4 、 3.7 AND INSULATION TEST 10 MΩ MIN.

## 4. MECHANICAL PERFORMANCE :

4.1 STRAIN-RELIEF TEST : 10 LB FOR 60 SEC. IN ANY DIRECTION .

4.2 DROP TEST : UNIT IS TO BE DROPPED FROM 3 FEET HIGH ONTO A CONCRETE FLOOR COVERED WITH 1/8 INCH VINYL TILE 3 TIMES, THE UNIT SHOULD MEET THE ITEM 3.7 、 3.8.

4.3 BENDING RELIEF TEST : THE CORD AND S/R SHALL WITHSTAND WEIGHT OFF 200 g, IT SWINGS FROM LEFT TO RIGHT AT AN ANGLE OF 120 deg , 300 CYCLE TIMES NIN.

4.4 VIBRATION RESISTANCE : PRODUCT PACKAGED IN A INTENDED MANNER SHALL DEVELOP NO MECHANICAL OR ELECTRICAL FAILURE WHEN SUBJECTED TO A 1.5 mm PEAK TO PEAK AMPLITUDE , 10-50-10 Hz , VIBRATION IN EACH OF X , Y AND Z DIRECTIONS FOR 30 MINUTES .

## 5. TEMPERATURE RANGE:

5.1 USE TEMPERATURE EXTENT : 0 °C ~ +40 °C

5.2 STORAGE TEMPERATURE EXTENT : -25 °C ~ +55 °C

APPROVED BY \_\_\_\_\_ CHECKED BY \_\_\_\_\_ TESTED BY 李淑華

# ELECTRICAL DATA

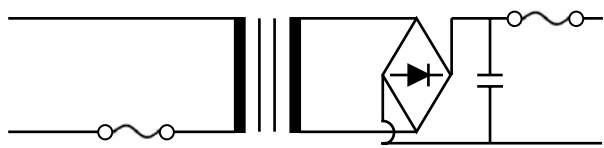
CUSTOMER: JAMES

DATE: '10.07.28

MODEL NO: DFU240080

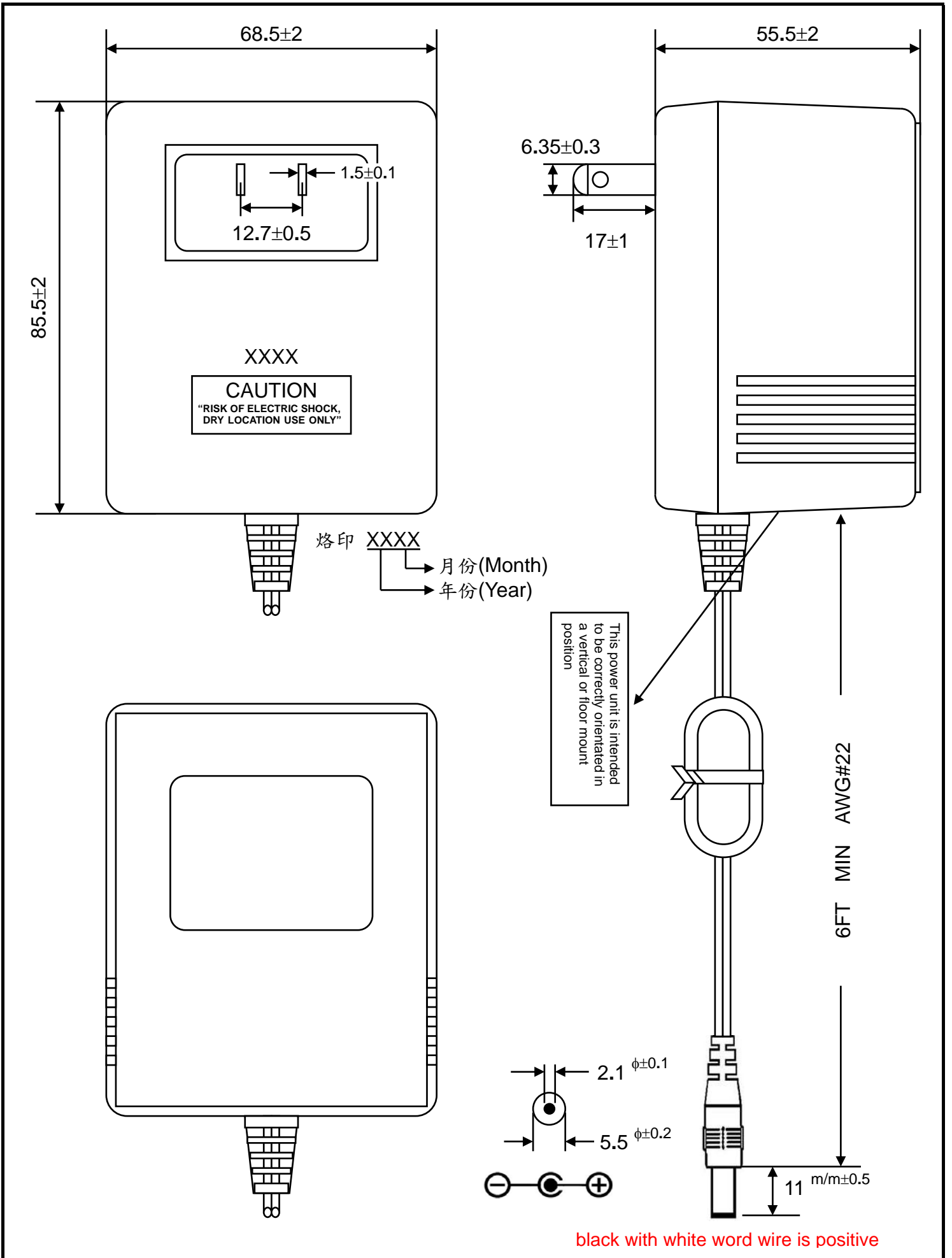
DESIGNED NO: J3181

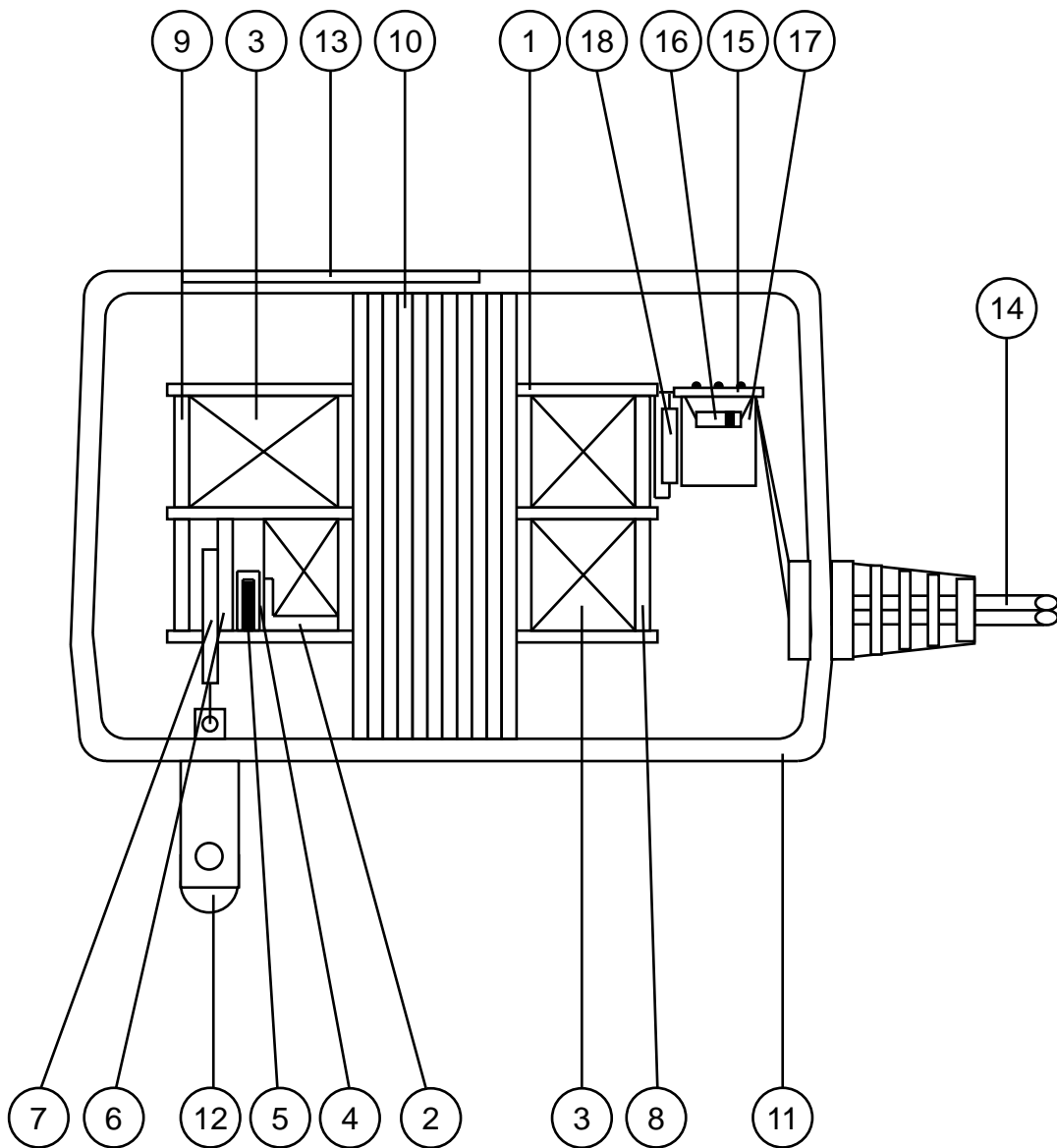
ITEM	SPEC.	SAMPLE												
		1	2	3	4	5	6	7	8	9	10			
PRIMARY EXCITING CURRENT INPUT 120 V-AC 60 Hz	100 mA MAX.	52												
PRIMARY LOAD CURRENT INPUT 120 V-AC 60 Hz	mA	275												
SECONDARY #1 NO LOAD DC VOLTAGE		31.00												
SECONDARY #1 DC VOLTAGE LOAD 800mA-DC	24V±5%	24.14												
TEMP RISE AFTER 4 HRS WARM UP IN 25 °C AMBIENT	75 °C MAX.	OK												
HI-POT TEST	PRI. TO SEC. & CORE	AC 1240 V	OK											



APPROVED BY \_\_\_\_\_ CHECKED BY \_\_\_\_\_ TESTED BY 李淑華

聯輝電機股份有限公司

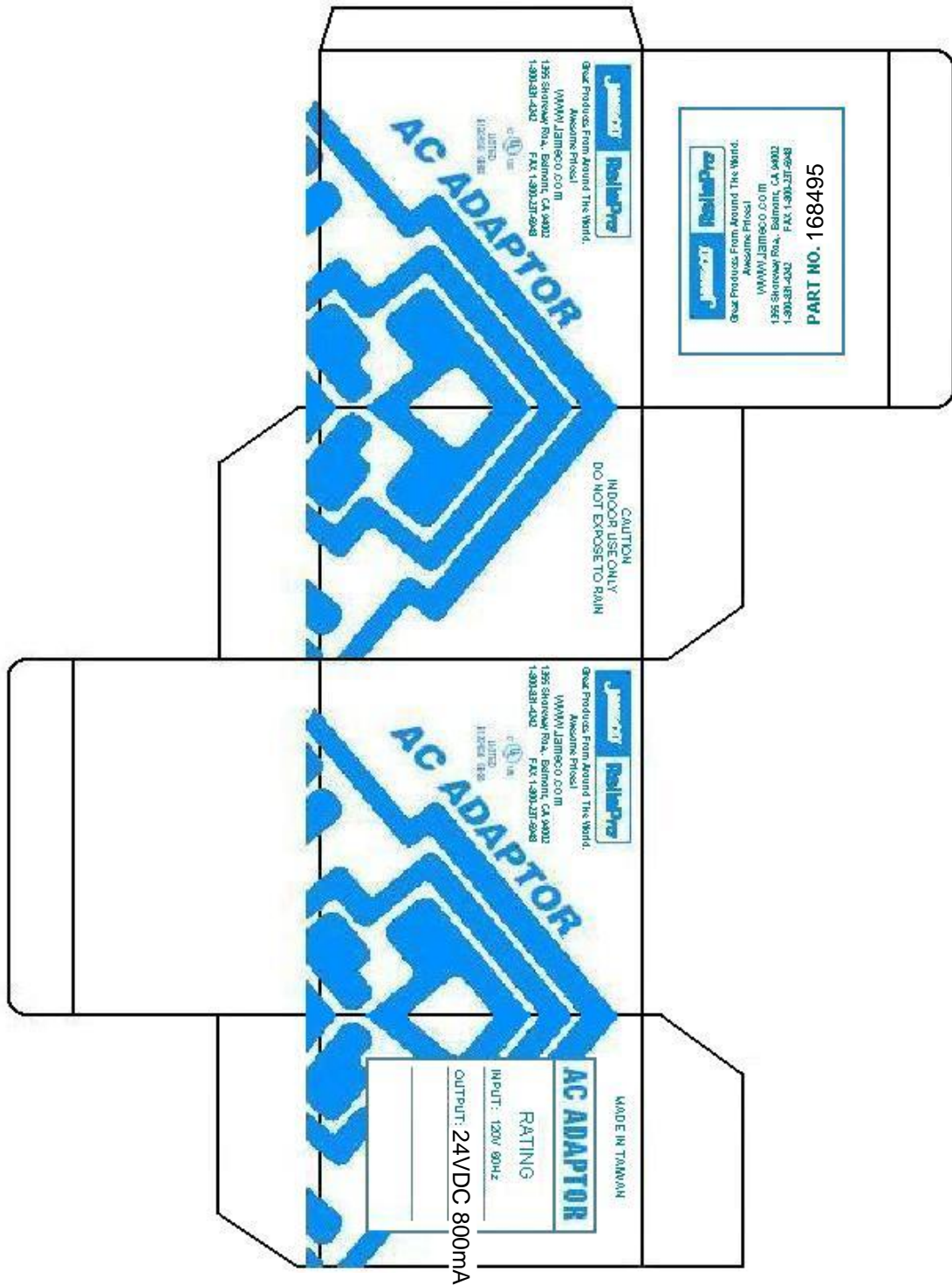




# 聯輝電機股份有限公司

No	DESCRIPTION	MATERIAL	SPEC. & Q'TY	MANUFACTURE
1	Bobbin	Zytel 101 NY66 (E41938)		East Tung Jung Plastic Hardware Co., Ltd. Ming Bao Plastics Co., Ltd.
2	Primary Crossover	Acetate Cloth Tape	0.34mm(1P)	Qun Yi Tape (Dongguan) Co., Ltd. Chyun Yih Tape Co., Ltd.
3	Enamelled Wire	Polyurethane Enameled Copper Wire(E85640(S))		Feng Ching Metal Corp. Tai-I Electric Wire & Cable Co., Ltd.
4	Insulation Between Primary Winding & Thermal Cutoff	Acetate Cloth Tape	0.34mm(1P)	Qun Yi Tape (Dongguan) Co., Ltd. Chyun Yih Tape Co., Ltd.
5	Thermal Cutoff	L20 (E142267) A2-F(E140847)	115°C 115°C	Joint Force Metal Research & Co. Aupo Electronics Ltd.
6	Insulation Between Primary Winding & Lead Connection	Polyester Film Tape (E81174(S))	0.05mm(4T)	Qun Yi Tape (Dongguan) Co., Ltd. Chyun Yih Tape Co., Ltd.
7	Primary Lead Wire	UL 1015AWG#22		Rei Hsing Electric Wire And Cable Co., Ltd
8	Primary Outerwarp	Polyester Film Tape (E81174(S))	0.025mm(2T)	Qun Yi Tape (Dongguan) Co., Ltd. Chyun Yih Tape Co., Ltd.
9	Secondary Outerwarp	Polyester Film Tape (E81174(S))	0.025mm (2T)	Qun Yi Tape (Dongguan) Co., Ltd. Chyun Yih Tape Co., Ltd.
10	Core	Silicon Steel	0.5mm	Shenzhen Chunyuan Steel Industrial Co., Ltd.
11	Enclosure	Noryl SE100X (GE) (E161723)		East Tung Jung Plastic Hardware Co., Ltd. Ming Bao Plastics Co., Ltd. Material:Sabic Innovative Plastics China Co Ltd
12	Primary Blades	Nickel Plating		Spread Profit Electronic (Dong Guan) Co., Ltd.
13	Nameplate	Plastic Film	0.2mm	Guang Ming You Tong Printing Factory
14	Output Cord	Flexible Cord(E112781)	AWG#22 UL2468	Huan Wei Enterprise Co., Ltd. Ming Sheng Enterprise Co., Ltd.
15	Rectifier Board	P.C.B.(E105119)	94V-0	Chih Hsien Enterprise Co., Ltd.
16	Diodes	1N5391---5		Master Instrument Corporation Shanghai Ltd.
17	Capacitor	2200uf/35V		Fuh Yin Electronics Co., Ltd.
18	Current Fuse		3A/250V	

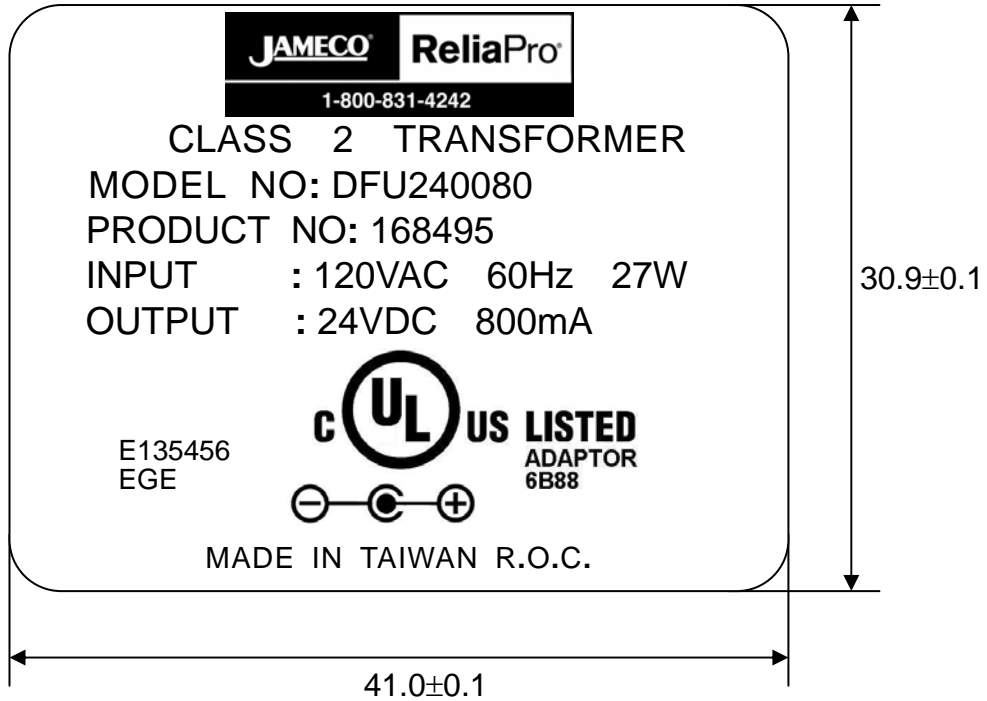
# 聯輝電機股份有限公司



- 1.尺寸: 101x70x86m/m No.7      2.磅數:500 磅  
 3.印刷:白底藍色字体及圖案      色號: PMS 300

出圖章	名稱	小紙盒	5					
	料號		4					
	發行日		3					
	核准	品保審核	製圖	2				
			李淑華	1	符號	日期	變更事項	修訂者
				單位:m/m	版次	圖號		

# 聯輝電機股份有限公司



- 1.材質: Plastic Film
- 2.厚度: 0.2<sup>m/m</sup>
- 3.印刷: 銀底黑字

出圖章	名稱	銘牌	5				
	料號		4				
	發行日		3				
	核准	品保審核	製圖	2			
			李淑華	1			
			符號	日期	變更事項		修訂者
			單位:m/m	版次	1-0	圖號	審核者