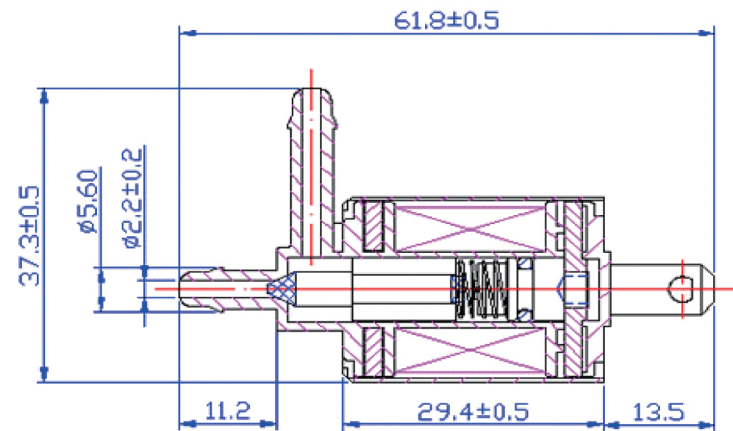


- Normal-close solenoid valve
- Use Fluid : AIR
- Voltage : DC12V
- Current : 100mA & 350mA
- Air Leakage : 1 c.c. max / min 220mmHg
- Pressure : MAX 7 PSI
- Insulation Class : A
- OPERATIONAL TEMPERATURE:-29/85 DEGREE"



GOLDSUN ELECTRONICS CO., LTD.

JAMECO NO. 169835		GOLDSUN NO. TAV-0829-R	
Description "AIR LEAKAGE:1c.c.max./min 4Psi DC12V,350mA, 34ohms			Rev. 1
UNIT: mm	SCALE:	SHEET 1 OF 1	CAS No: ERN No: