

Distributed by:



www.Jameco.com ♦ 1-800-831-4242

The content and copyrights of the attached material are the property of its owner.

SPECIFICATION

CUSTOMER: JAMES

DATE: '05.04.08

MODEL NO: DDU120100

DESIGNED NO: H4480

1. APPLICABLE SAFETY STANDARD :

T-MARK PSE UL 1310 UL 1950 C-CUL GS CE 商檢
 SEMKO、DEMKO、FIMKO、NEMKO OTHER : _____

2. GENERAL APPEARANCE :

- 2.1 THE GENERAL APPEARANCE OF THE AC/DC ADAPTOR SHALL BE WITHOUT DEFORMATION, CRACKS OR CORROSION.
 2.2 THE SHAPE, DIMENSIONS AND MARKINGS OF THE AC/DC ADAPTOR SHALL BE AS SPECIFIED IN THE CONSTRUCTION DRAWING AND NAME PLATE.

3. CHARACTERISTICS :

- 3.1 PRIMARY RATED VOLTAGE & LINE FREQUENCY : 120 VAC 60 Hz
 3.2 PRIMARY EXCITING CURRENT (Io) 90 mA MAX. AT INPUT 120 VAC 60 Hz.
 LOADING CURRENT (Ip) X mA MAX. AT INPUT X AC X Hz, LOAD X A.
 3.3 NO - LOAD LOSS : X W MAX. AT INPUT X VAC X Hz.
 3.4 SECONDARY RATED VOLTAGE AND CURRENT :

PRIMARY VOLTAGE	RATE VOLTAGE	TOLERANCE	RATED CURRENT	NO-LOAD VOLTAGE	REGULATION
108~132VAC 60Hz	12VDC	±5%	1000mA-DC		

- 3.5 RIPPLE VOLTAGE : 50 mV(r.m.s) MAX. AT INPUT 120 VAC 60 Hz, LOAD 1.0 A.
 3.6 DC RESISTANCE : PRIMARY: X Ω ± X % MEASURED AT 25 °C .
 3.7 HI-POT TEST : AC 1240 V 50/60Hz FOR 1 MINUTES BETWEEN INPUT TO OUTPUT PLUG AND CASE NEED NORMAL PERFORMANCE , LEAKAGE CURRENT 1 mA.
 3.8 INSULATION RESISTANCE : 500 VDC 100 MΩ MIN. BETWEEN INPUT TO OUTPUT PLUG AND CASE.
 3.9 TEMPERATURE RISE : INPUT 120 VAC 60 Hz, OUTPUT LOAD 1.0 A FOR INPUT COIL 75 °C MAX (BY USE RESISTANCE METHOD) ON CASE SURFACE X °C MAX (BY USE THERMOMETER METHOD) AT 25°C AMBIENT.
 3.10 HUMIDITY TEST : TEMP. 40± 2 °C, 90-95 % R.H FOR 4 HOURS , AFTER AT MINUTES TAKEN OUT FROM OVEN . AND WIPED DRY. TEST 3.4、3.7 AND INSULATION TEST 10 MΩ MIN.

4. MECHANICAL PERFORMANCE :

- 4.1 STRAIN-RELIEF TEST : 10 LB FOR 60 SEC. IN ANY DIRECTION .
 4.2 DROP TEST : UNIT IS TO BE DROPPED FROM 3 FEET HIGH ONTO A CONCRETE FLOOR COVERED WITH 1/8 INCH VINYL TILE 3 TIMES, THE UNIT SHOULD MEET THE ITEM 3.7、3.8.
 4.3 BENDING RELIEF TEST : THE CORD AND S/R SHALL WITHSTAND WEIGHT OFF 200 g, IT SWINGS FROM LEFT TO RIGHT AT AN ANGLE OF 120 deg , 300 CYCLE TIMES NIN.
 4.4 VIBRATION RESISTANCE : PRODUCT PACKAGED IN A INTENDED MANNER SHALL DEVELOP NO MECHANICAL OR ELECTRICAL FAILURE WHEN SUBJECTED TO A 1.5 mm PEAK TO PEAK AMPLITUDE , 10-50-10 Hz , VIBRATION IN EACH OF X , Y AND Z DIRECTIONS FOR 30 MINUTES .

5. TEMPERATURE RANGE:

- 5.1 USE TEMPERATURE EXTENT : 0 °C ~ +40 °C
 5.2 STORAGE TEMPERATURE EXTENT : -25 °C ~ +55 °C

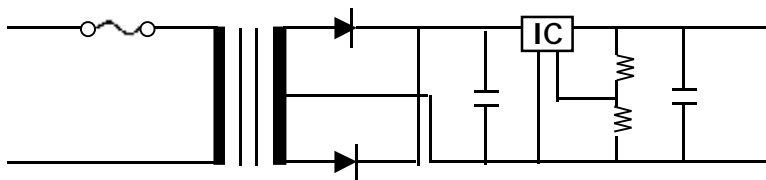
APPROVED BY _____ CHECKED BY _____ TESTED BY 李淑華

ELECTRICAL DATA

CUSTOMER: JAMES
 MODEL NO: DDU120100

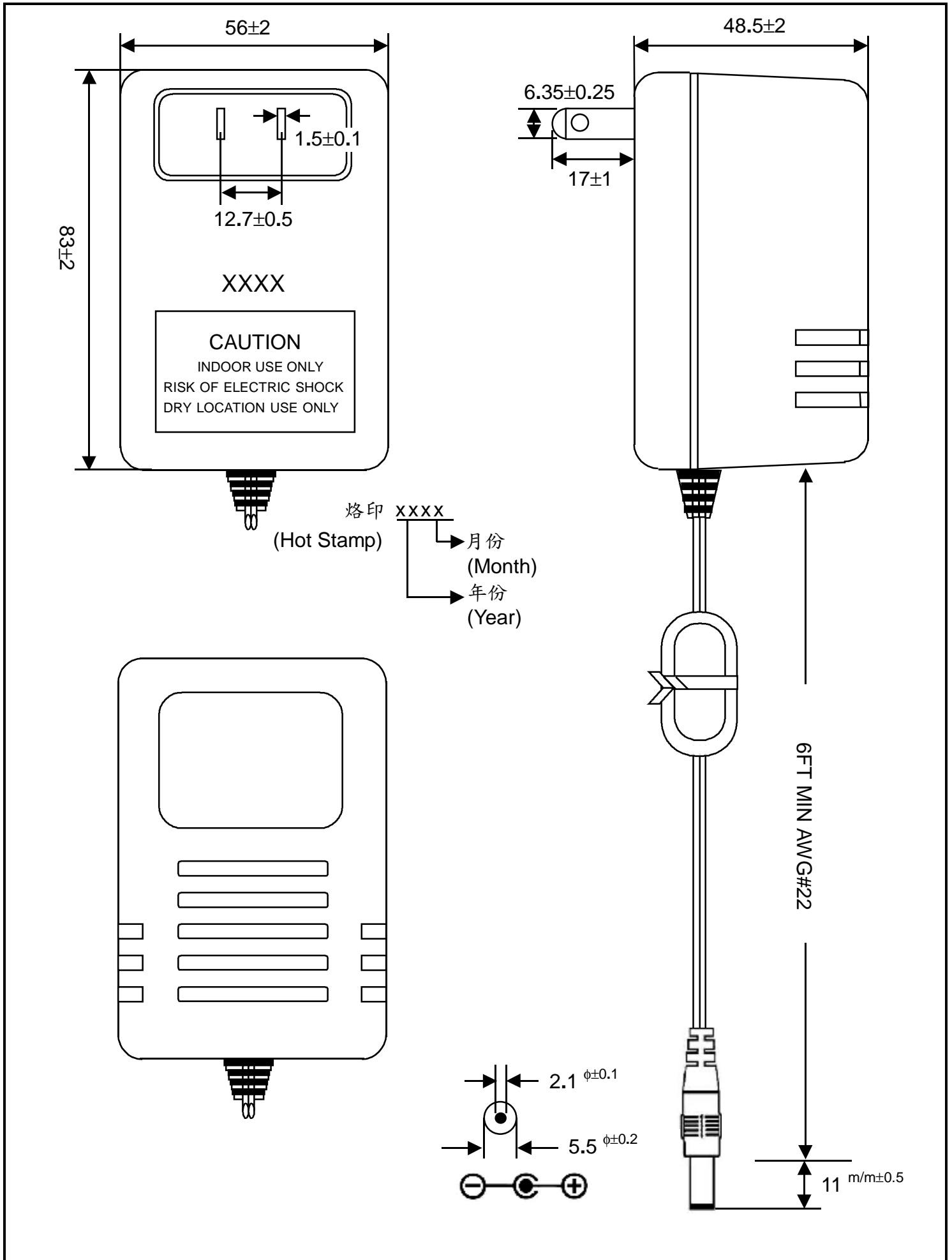
DATE: '05.04.08
 DESIGNED NO: H4480

ITEM	SPEC.	SAMPLE									
		1	2	3	4	5	6	7	8	9	10
PRIMARY EXCITING CURRENT INPUT 120 V-AC 60 Hz	90mA MAX.	42									
PRIMARY LOAD CURRENT INPUT 120 V-AC 60 Hz		213									
SECONDARY #1 NO LOAD DC VOLTAGE		12.36									
SECONDARY #1 DC VOLTAGE LOAD 1000mA-DC	12V ±5%	12.05									
INPUT 120VAC 60Hz LOAD 1000mA RIPPLE VOLTAGE (r.m.s)	50mV MAX	10.5									
PRIMARY LOAD CURRENT INPUT 108 V-AC 60 Hz		210									
SECONDARY #1 NO LOAD DC VOLTAGE		12.36									
SECONDARY #1 DC VOLTAGE LOAD 1000mA-DC	12V ±5%	11.91									
PRIMARY LOAD CURRENT INPUT 132 V-AC 60 Hz		219									
SECONDARY #1 NO LOAD DC VOLTAGE		12.36									
SECONDARY #1 DC VOLTAGE LOAD 1000mA-DC	12V ±5%	12.05									
TEMP RISE AFTER 4 HRS WARM UP IN 25 °C AMBIENT	75 °C MAX.	OK									
HI-POT TEST	PRI. TO SEC. & CORE AC 1240V	OK									

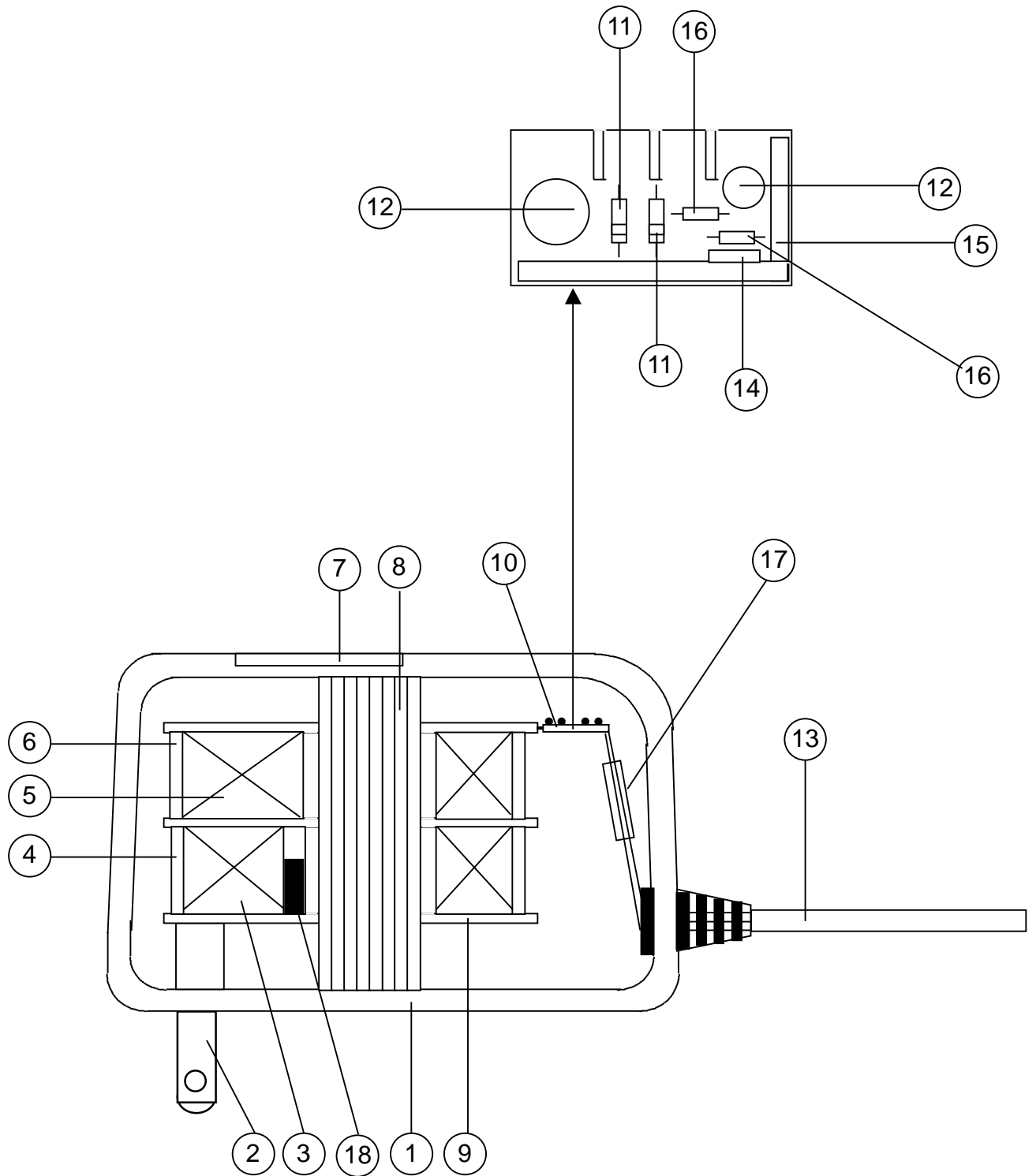


APPROVED BY _____ CHECKED BY _____ TESTED BY 李淑華

聯輝電機股份有限公司



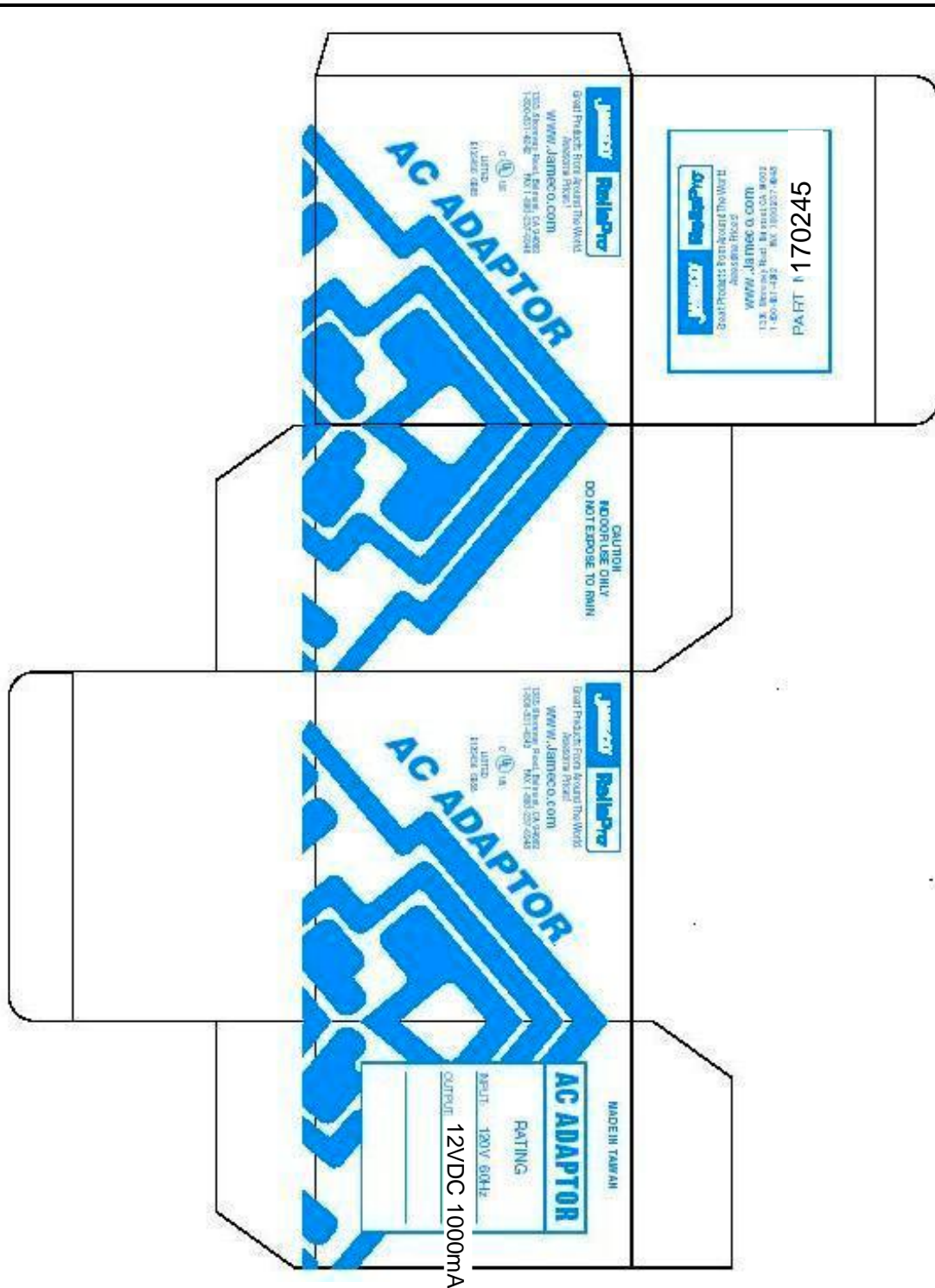
聯輝電機股份有限公司



聯輝電機股份有限公司

No	DESCRIPTION	MATERIAL	SPEC. & Q'TY	MANUFACTURE
1	Enclosure	Noryl SE 100		GE Plastics Japan Ltd.(E45587(R)) or Equivalent.
2	Pri. Blades	Nickel Plating		Spread Profit Co., Ltd., or Equivalent.
3	Primary Winding	Polyurethane Enameled Copper Wire		Tai-1 Electric Wire & Cable Co., Ltd. or Equivaltion
4	Pri. Outerwarp	Polyester Film Tape	0.05mm(4T)	Chyun Yih Tape Co., Ltd. or Equivaltion
5	Secondary Winding	Polyurethane Enameled Copper Wire		As Item 3.
6	Sec. Outerwarp	Polyester Film Tape	0.025mm(2T)	As Item 4.
7	Nameplate	P.V.C	0.35mm	I Houng Name Plate Co., Ltd. or Equivaltion.
8	Core	Silicom Steel	0.5mm	Top Silicon Steel Corp. or Equivalent.
9	Bobbin	Zytel 101 NY66		E.I. Dupont De Nemoure & Company (E41938) or Equivalent.
10	Rectifier Board	P.C.B.	94V-0	Chen Hsien Enterprise Co., (E105119)
11	Diodes	IN5391---5		Master Instrument Corp. or Equivqlent
12	Capacitor	C1:2200uf/20V C2:100uf/16V		Jun Fu Electronics Co., Ltd. or Equivaltion
13	Output Cord	Flexible Cord	AWG#22 UL2468	Lu Her Wire & Cable Co., Ltd. or Equivaltion
14	IC	RA3021AA		Unisonic Technolongles Co., Ltd. or Equivalent.
15	Heat Skin	Alume		
16	Resistor	R1:390 Ω R2:3.48K Ω	1/4W 1/4W	Sendy Electronic Co., Ltd. or Equivalent.
17	Silicone Tubing			
18	Themal Cutoff	M20 or UMI322 or A2	115°C	Joint Force Metal Research (E42267)

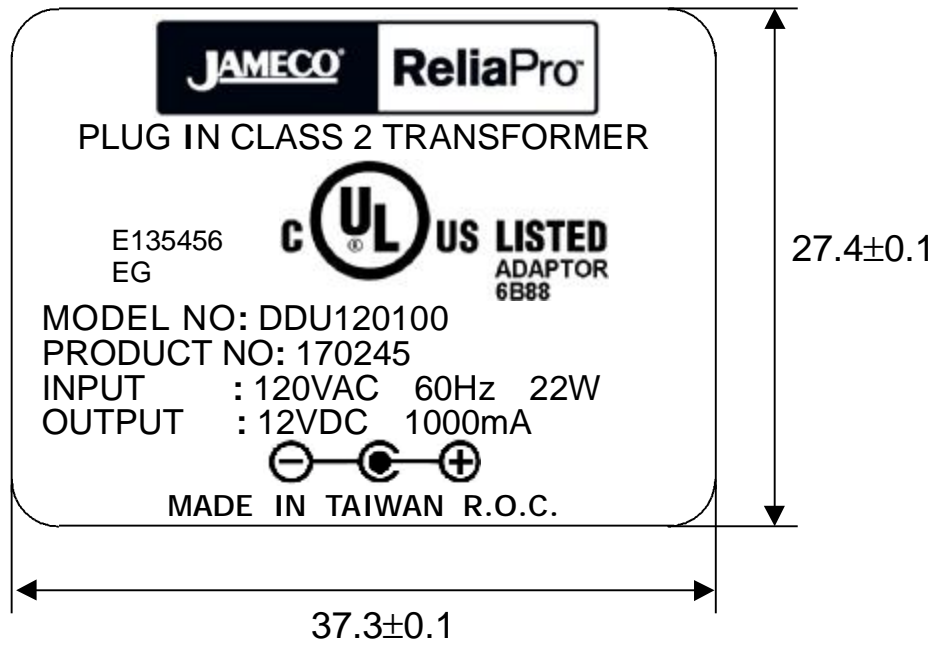
聯輝電機股份有限公司



1. 尺寸: 100x60x74mm NO.11
2. 磅數: 450 磅
3. 印刷: 白底藍色字體及圖案 色號: PMS 300

出圖章	名稱	小紙盒	5						
	料號		4						
	發行日		3						
	核准	品保審核	製圖	2					
			李淑華	1					
			符號	日期	變更事項			修訂者	審核者
			單位:m/m	版次		圖號			

聯輝電機股份有限公司



- 1.材質:PVC
- 2.厚度: $0.35^{+0.2}_{-0.1}$
- 3.印刷:銀底黑字

出圖章	名稱	銘牌	5						
	料號		4						
	發行日		3						
	核准	品保審核	製圖	2					
			李淑華	1					
			符號	日期	變更事項			修訂者	審核者
			單位:m/m	版次	1-0	圖號			