

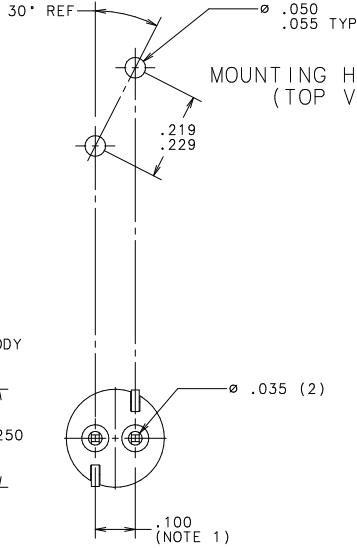
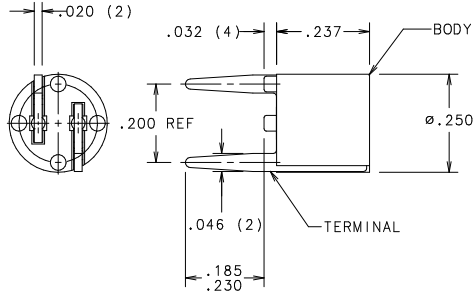
Distributed by:

JAMECO[®]
ELECTRONICS

www.Jameco.com ♦ 1-800-831-4242

The content and copyrights of the attached
material are the property of its owner.

Jameco Part Number 1710725Drawing



NOTES:

1. THIS HOLDER WILL ACCEPT THE FOLLOWING MICROFUSES: 272 SERIES, 273 SERIES, 274 SERIES AND 262 SERIES.
2. NORMAL FUSE INSERTION FORCE: 700 GRAMS.
3. RATING: 125V AT 5 AMPS.
4. MATERIALS:
 BODY - THERMOPLASTIC
 TERMINALS - PHOSPHOR BRONZE, SILVER PLATE

NO	COMPONENT NO	DESCRIPTION	QTY/M	U/M

BILL OF MATERIAL				
CDPIES TO	MATL SPEC	SEE NOTE	FINISH	
1	9	18	DATE	4/24/00
2	10	19	SCALE	4=1
3	12	20	CHK	SUPER DRW
4	13	21	APPD	RAW STK WT
5	14	23		LBS/M
6	15	33		
7	16	43		TOLERANCE UNLESS OTHERWISE SPECIFIED
8	17	53		TWO PLACE DEC ±.020 FRACTION ±
				THREE PLACE DEC ±.010 ANGULAR ±1°
TITLE				
VERTICAL P.C.B. MOUNT MICROFUSE FUSEHOLDER				

LTR	REVISION	CHK	APD
N	80585C- REVISED & REDRAWN ON NEW FORMAT 4/25/00 JMB		

DESIGNER: **REVISION** N
 DRAWN: **MC**
 ILLINOIS 60016
Litefuse
 0281005
 ILLINOIS 60016

UNLESS OTHERWISE SPECIFIED, DIMENSIONS DO NOT INCLUDE PLATING.

CPK DENOTES CRITICAL CHARACTERISTICS.

CPK DENOTES CPK DIMENSIONS - MINIMUM CPK VALUE

CPK DENOTES A CHARACTERISTIC THAT PROVIDES AN INDICATION OF THE PROCESS CAPABILITY OF THE MANUFACTURING PROCEDURE FOR MEASUREMENT OF THIS CHARACTERISTIC TO THE TOLERANCE SPECIFIED IN THE INSTRUCTIONS.

CPK DENOTES CP DIMENSIONS - MINIMUM CP VALUE

CPK DENOTES CPK WITHIN THE DIMENSIONAL LIMITATIONS SPECIFIED IN THE INSTRUCTIONS.

CPK DENOTES CPK FOR MAXIMUM TOOL LIFE.

CPK DENOTES CPK FOR MAXIMUM TOOL LIFE.

