

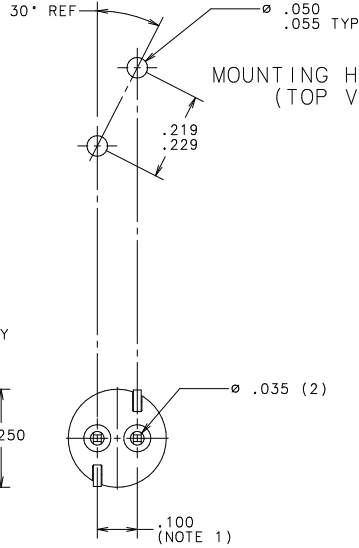
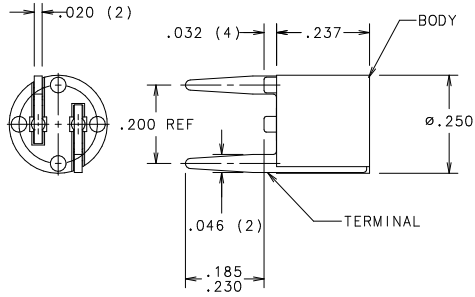
Distributed by:

JAMECO[®]
ELECTRONICS

www.Jameco.com ♦ 1-800-831-4242

The content and copyrights of the attached
material are the property of its owner.

Jameco Part Number 1710741Drawing



NOTES:

- THIS HOLDER WILL ACCEPT THE FOLLOWING MICROFUSES: 272 SERIES, 273 SERIES, 274 SERIES AND 262 SERIES.
- NORMAL FUSE INSERTION FORCE: 700 GRAMS.
- RATING: 125V AT 5 AMPS.
- MATERIALS:
 BODY - THERMOPLASTIC
 TERMINALS - PHOSPHOR BRONZE, TIN PLATE

NO	COMPONENT NO	DESCRIPTION	QTY/M	U/M
BILL OF MATERIAL				
MATERIAL SPEC		SEE NOTE 4	FINISH	
CDPLIES TO	DRW	JMB	DATE	SCALE
1	9	18	4/24/00	4=1
2	10	19		SUPER DRW
3	12	20		RAW STK WT
4	13	21		LBS/M
5	14	23		TOLERANCE UNLESS OTHERWISE SPECIFIED
6	15	33		TWO PLACE DEC ±.020 FRACTION ±
7	16	43		THREE PLACE DEC ±.010 ANGULAR ±1°
8	17	53		

LTR		REVISION		CHK	APD
D	80585C-	REVISED & REDRAWN ON NEW FORMAT	4/25/00	JMB	
TITLE					
VERTICAL P.C.B. MOUNT MICROFUSE FUSEHOLDER					
		REVISION		DRAWN	
		D		MC OUTLINE	
		DES PLAINES, ILL INOIS 60016		0281008	

UNLESS OTHERWISE SPECIFIED, DIMENSIONS DO NOT INCLUDE PLATING.
 UNLESS OTHERWISE SPECIFIED, DIMENSIONS - MINIMUM CPK VALUE
 DENOTES A CHARACTERISTIC THAT PROVIDES AN INDICATION OF THE PROCESSING VARIATION TO BE EXPECTED FOR MEASUREMENT OF THIS CHARACTERISTIC.
 UNLESS OTHERWISE SPECIFIED, DIMENSIONS - MINIMUM CP VALUE
 DENOTES A CHARACTERISTIC THAT PROVIDES AN INDICATION OF THE PROCESSING VARIATION TO BE EXPECTED FOR MEASUREMENT OF THIS CHARACTERISTIC.
 UNLESS OTHERWISE SPECIFIED, DIMENSIONS - MINIMUM CP VALUE
 DENOTES A CHARACTERISTIC THAT PROVIDES AN INDICATION OF THE PROCESSING VARIATION TO BE EXPECTED FOR MEASUREMENT OF THIS CHARACTERISTIC.

