

Distributed by:

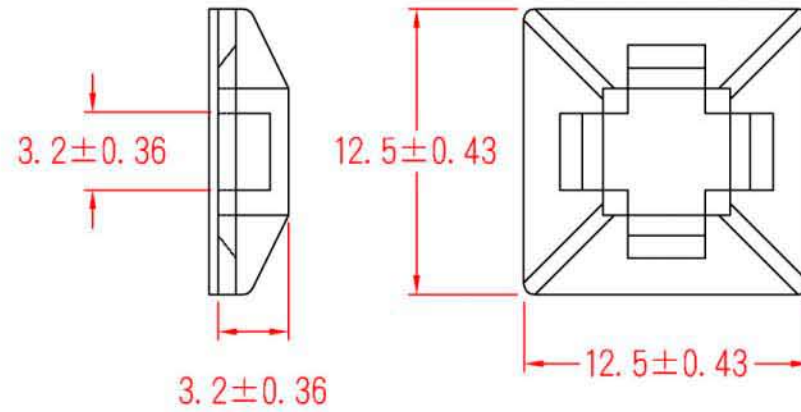
JAMECO[®]
ELECTRONICS

www.Jameco.com ♦ 1-800-831-4242

The content and copyrights of the attached
material are the property of its owner.

Jameco Part Number 171214

Date	Rev.	Description



DCC. NO.
A4 DRAWING NO.

MATERIAL		GOLDSUN ELECTRONICS CO., LTD.			
		PART NAME SELF ADHESIVE TIE MOUNT			Rev. 1
DRWN	DATE	JAMECO NO. PN 171214		GOLDTOOL NO. HC-100	
CHK	DATE	UNIT: mm	SCALE:	SHEET 1 OF 1	CAS No: ERN No:
APVD	DATE				