

Distributed by:

**JAMECO**<sup>®</sup>  
ELECTRONICS

**www.Jameco.com ♦ 1-800-831-4242**

The content and copyrights of the attached  
material are the property of its owner.

Jameco Part Number 1712587

# Blade Terminal & Special Purpose Fuses

Low Voltage

## RoHS MIDI® FUSE



The MIDI® Fuse offers a bolt-on space saving fuse for high current wiring protection and provides time delay characteristics with "Diffusion Pill Technology". The MIDI Fuse was designed and patented by Littelfuse.

### ELECTRICAL CHARACTERISTICS:

| % of Ampere Rating | Ampere Rating | Opening Time                                  |
|--------------------|---------------|---|
| 100%               | 30-125A       | 100 hours, <b>Minimum</b>                     |
| 110%               | 30-125A       | 4 hours, <b>Minimum</b>                       |
| 150%               | 30-125A       | 90 sec., <b>Min.</b> ; 3600 sec., <b>Max.</b> |
| 200%               | 30-125A       | 5 sec., <b>Min.</b> ; 100 sec., <b>Max.</b>   |
|                    | 150-200A      | 1 sec., <b>Min.</b> ; 15 sec., <b>Max.</b>    |
| 300%               | 30-125A       | .5 sec., <b>Min.</b> ; 15 sec., <b>Max.</b>   |
|                    | 150-200A      | .3 sec., <b>Min.</b> ; 3 sec., <b>Max.</b>    |

**AGENCY APPROVALS:** Recognized under the components program of Underwriters Laboratories.

**AGENCY FILE NUMBERS:** E71611

**INTERRUPTING RATINGS:** 1000 amperes at 32 VDC

**VOLTAGE RATINGS:** 32 VDC

**AMBIENT TEMP.:** -40°C to +125°C

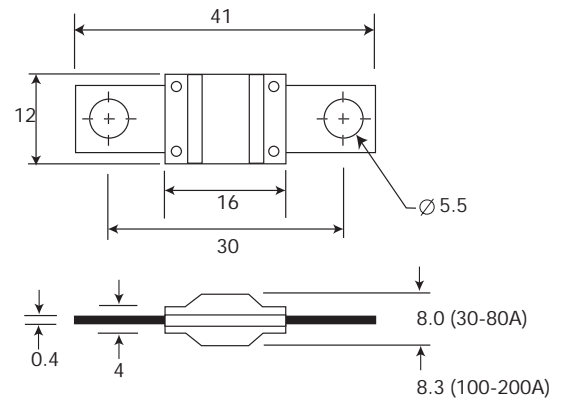
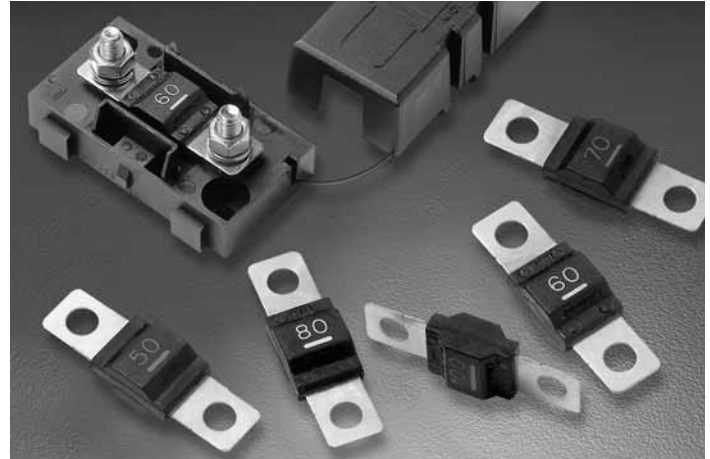
**PATENTED**

**INTERRUPTING RATING:**

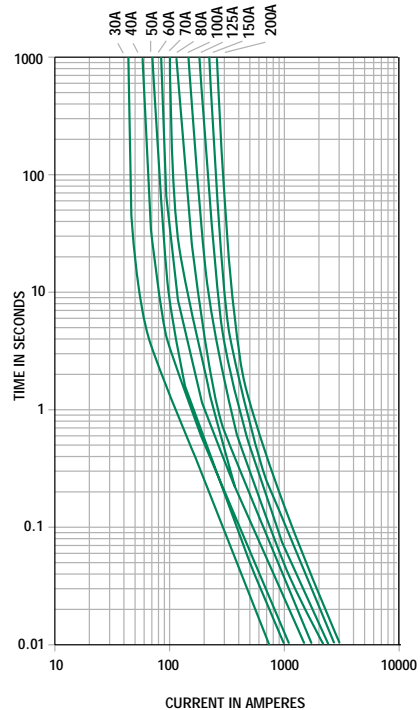
1000A @ 32 VDC

**ORDERING INFORMATION:**

| Catalog Number | Ampere Rating | Voltage Rating (VDC) | Nominal Cold Resistance (mΩ) |
|----------------|---------------|----------------------|------------------------------|
| 0498 030       | 30            | 32                   | 2.1                          |
| 0498 040       | 40            | 32                   | 1.3                          |
| 0498 050       | 50            | 32                   | 1.04                         |
| 0498 060       | 60            | 32                   | 0.87                         |
| 0498 070       | 70            | 32                   | 0.72                         |
| 0498 080       | 80            | 32                   | 0.56                         |
| 0498 100       | 100           | 32                   | 0.45                         |
| 0498 125       | 125           | 32                   | 0.40                         |
| 0498 150       | 150           | 32                   | 0.33                         |
| 0498 200       | 200           | 32                   | 0.25                         |



Average Time Current Curves



## MIDI® FUSE Fuseholders

**ORDERING INFORMATION:** Catalog Number 498900.

### SPECIFICATIONS:

**Electrical:** Use with MIDI® Fuses from 30 to 200 amps. (32V)

**Body:** Glass Filled Thermoplastic

**Body Color:** Black

**Cover With Tether:** Glass Filled Thermoplastic

**Cover Color:** Black

**Ambient Temp.:** -40°C to +125°C

**Fuse Mounting:** M5 Threaded Stud and Hex Nuts

**Cable Positions:** Optional

**Side Stackable Feature**

