

Distributed by:

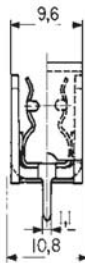
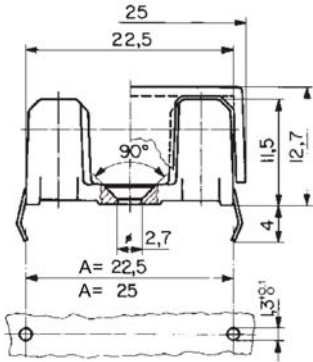
**JAMECO**<sup>®</sup>  
ELECTRONICS

**www.Jameco.com ♦ 1-800-831-4242**

The content and copyrights of the attached  
material are the property of its owner.

Jameco Part Number 1718604

## Holder 656



max. dimension for removal of cover

## PC Mount, 5x20mm Fuses

### Standard

IEC 60127-6  
CSA C22.2-39, UL 512

### Approvals

SEV (10A/250V)  
VDE ÜG (10A/250V)  
SEMKO (10A/250V)  
UL (10A/250V)  
CSA (10A/250V)



### Features

Low profile fuse block with insulation walls  
"Kicked" PCB-terminals, tin plated  
Screw or rivet fastening  
holder also available fitted with a fuse on request

## Specifications

### Packaging

Bulk (100 pcs.)

### Order Numbers

Holder 656 A = 22.5mm	No. 656 0000 100
Holder 656 A = 25.0mm	No. 656 0000 140
Cover 659	No. 659 0000 000
Cover 660	No. 660 0000 100

### Mounting

656: Solder pins 0.4mm x 1.1mm  
Ø 2.7mm screw hole may be used optionally

### Materials

Holder: Black Thermoplastic  
UL 94 V-0  
Metal Parts: Copper alloy,  
tin plated

### Electrical Data

Rated Voltage: 250V  
Rated Current: 10A

### Rated power acceptance at ambient air temperature 23°C

without cover: 4W  
with reflow-cover: 4W  
with transparent cover: 2.5W

### Operating Temperature

-40°C to +85°C (consider de-rating)

### Climatic Category

GPF according to DIN 40040

### Stock Conditions

+10°C to +60°C  
relative humidity ≤ 75% yearly average,  
without dew, maximum value for 30 days - 95%

### Vibration Resistance

Frequency range 10-500 Hz, crossover  
frequency 60 Hz  
< 60 Hz constant amplitude of 0.75mm  
> 60 Hz constant acceleration of 10g

### Contact Resistance

5mΩ

### Dielectric Strength

> 3kV, 50 Hz, 1 min.

### Impulse withstand Voltage

Ü1.2/50: > 12 kV between live parts of different potentials

### Insulation Resistance

(500 V DC/1 min): >10 MΩ between live parts of different potentials

### Solderability

235°C/2s, acc. to IEC 60068-2-20, test Ta, method 1

### Soldering Heat Resistance

350°C/5s, acc. to IEC60068-2-20 test Tb, method 1B

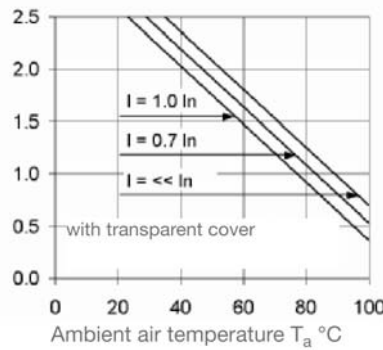
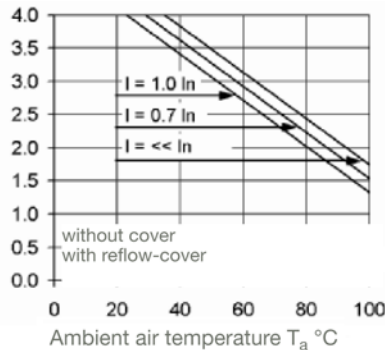
### Minimum Cross Section

Conducting path - 0.2mm<sup>2</sup>

### Torque/fixing screw

max. 0.3 Nm

### Derating curves



Admissible power acceptance in Watt

## Cover 660

suitable for IR-soldering process



## Cover 659

transparent



### Order Information

Qty.	Order-No.

Note: 1.00 means the number one with two decimal places. 1,000 means the number one thousand.

Specifications are subject to change without notice