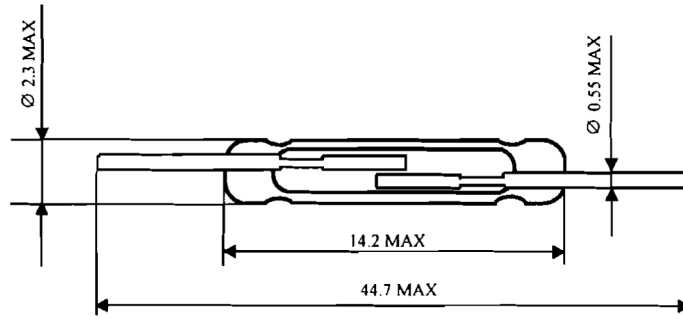


# SPECIFICATIONS FOR MKA-14103



CONTACT FORM	1A
CONTACT MATERIAL	Ru
MAXIMUM SWITCHING POWER, W	10
MAXIMUM SWITCHING VOLTAGE, V	100
MAXIMUM SWITCHING CURRENT, A	0,5
PULL IN, AT	10-35
DROP OUT, AT min.	5
CONTACT RESISTANCE, Ohm max.	0,1
BREAKDOWN VOLTAGE, V dc min.	220 AT $\leq$ 25 250 AT $>$ 25
INSULATION RESISTANCE, Ohm min.	$1 \cdot 10^{10}$
OPERATE TIME, ms max.	1,0
RELEASE TIME, ms max.	0,4
CAPACITANCE, pF max.	0,7
RESONANT FREQUENCY, Hz min.	4000
OPERATE TEMPERATURE RANGE, ° C	-60 +155
HIGH HUMIDITY at T=35° C, % max.	98
OPERATION FREQUENCY, Hz max.	100
Test coil:	
Number of turns	5000
Resistance, Ohm	870
UL file #	E229065

Customized switches are available upon request:

- with close PI values;
- with cut, bent, flat leads;

Life expectancy and reliability

Test modes:

5V-10mA- $1 \times 10^8$  operations min. at operation frequency of 100 Hz with failure rate  $3,3 \times 10^{-10}$  oper $^{-1}$  min., confidence level of 60%.

24V-400mA- $1 \times 10^5$  operations min. at operation frequency of 50 Hz with failure rate  $3,3 \times 10^{-7}$  oper $^{-1}$  min., confidence level of 60%.

These data are valid for a coil energized at 1.5 times stated max. operate value.

Shock

Reed switches are immune to mechanical shocks with peak shock acceleration of 150 g and impulse duration of 1 ms.

Vibration

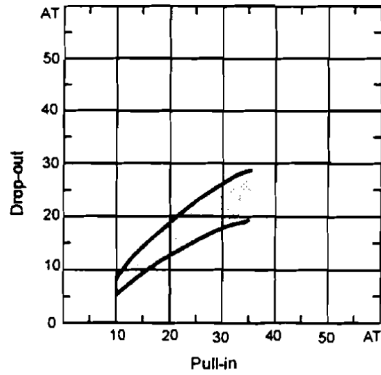
Reed switches are immune to sinusoidal vibration at 1-2000 Hz and acceleration amplitude of 20 g.

MATERIAL	<b>GOLDSUN ELECTRONICS CO., LTD.</b>		
	JAMECO NO. 171872	GOLDSUN NO. MKA14103-1015-R	
DRAWN: Ivan Wang	Description MINIATURE REED SWITCH, 14.2mm x2.3mm		Rev. 1
VERIFY PEOPLE: Jenny	UNIT: mm	SCALE:	SHEET 1 OF 1 CAS No: ERN No:

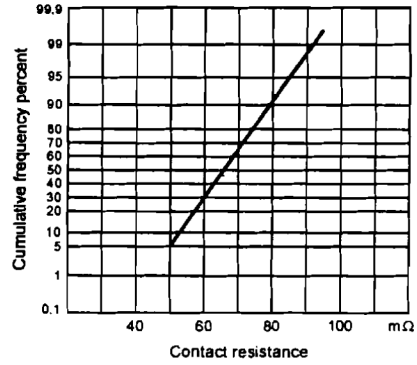
# MKA-14103

## ELECTRICAL CHARACTERISTICS

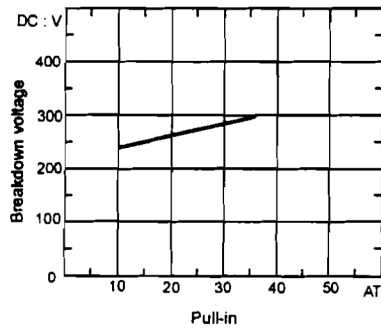
(1) Drop-out vs. Pull-in



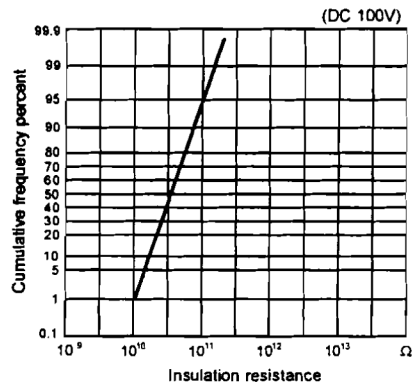
(2) Contact resistance



(3) Breakdown voltage

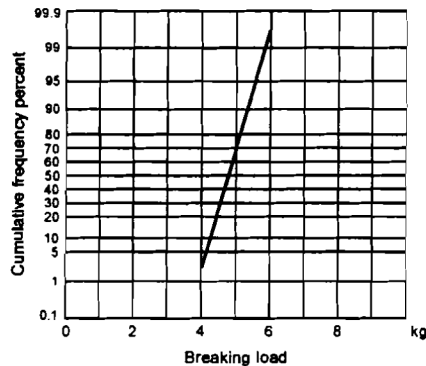


(4) Insulation resistance



## MECHANICAL CHARACTERISTICS

(5) Lead tensile strength



MATERIAL	<b>GOLDSUN ELECTRONICS CO., LTD.</b>			
	JAMECO NO.	GOLDSUN NO.		
	171872	MKA14103-1015-R		
DRAWN: Ivan Wang	Description		Rev.	
VERIFY PEOPLE: Jenny	MINIATURE REED SWITCH, 14.2mm x2.3mm		1	
	UNIT:	SCALE:	SHEET 1 OF 1	
	mm		CAS No: ERN No:	