

Distributed by:

JAMECO[®]
ELECTRONICS

www.Jameco.com ♦ 1-800-831-4242

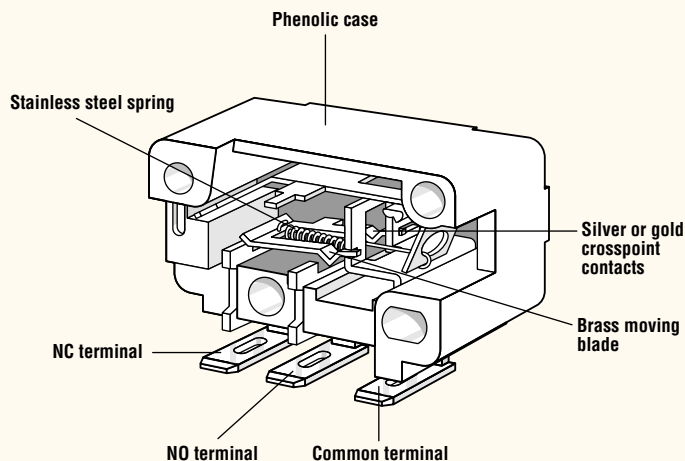
The content and copyrights of the attached
material are the property of its owner.

Jameco Part Number 1720042

MINIATURE LOW TORQUE E Series

Features

- Long life coil spring mechanism
- Low torque rotary actuation
- Clockwise or counter clockwise actuation
- 6 terminal types
- Double rivet sturdy case construction
- 3 contact arrangements



Electrical Ratings

| Switch Series | EN61058 Rating | UL1054 Rating | Electrical Life at Rated Load | |
|---------------|----------------|---------------|------------------------------------|-----------------------------------|
| | | | According to VDE (Min. Operations) | According to UL (Min. Operations) |
| E51 | N/A | 6A, 250VAC | N/A | 6,000 |
| E53 | N/A | 0.1A, 125VAC | N/A | 6,000 |

Specifications

Electrical

| | |
|----------------------|---------------|
| Temperature Rating: | -40° to +85°C |
| Flammability Rating: | UL94HB |

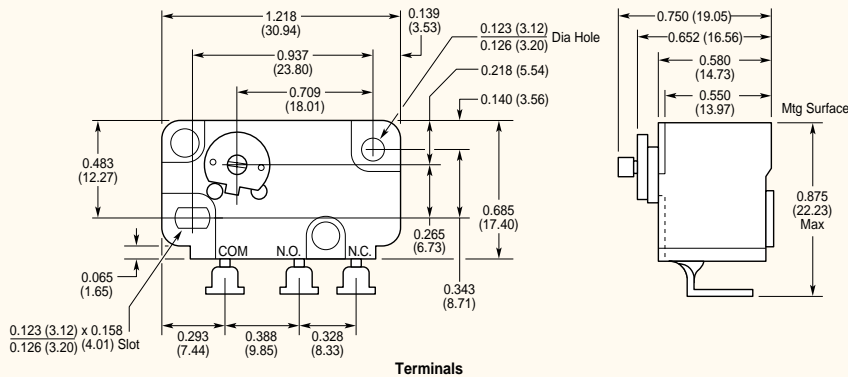
Materials

| | |
|---------------|---|
| Case: | General Purpose Phenolic |
| Terminal: | Silver-Plated Brass |
| Moving Blade: | Brass |
| Contacts: | Silver Alloy (E51), Gold Crosspoint (E53) |
| Spring: | Stainless Steel |

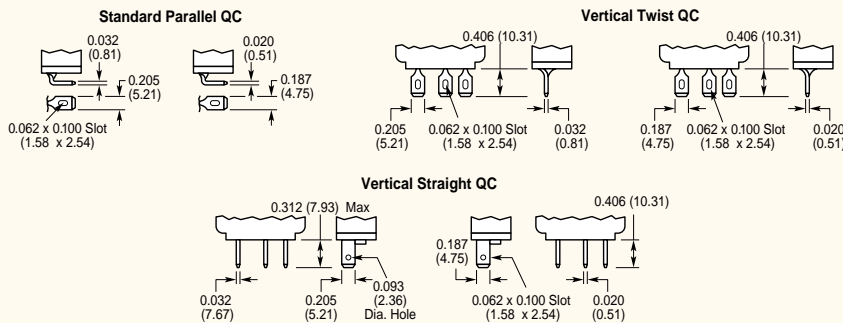




Dimensions inches (mm)

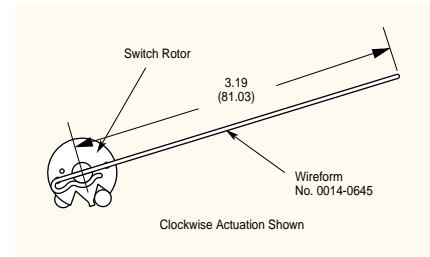


Terminals



Actuators

Wireform actuators are supplied unassembled for each switch. Wireforms may be readily assembled to switch rotor as shown.



Circuitry

This series is available in single pole double throw and single pole single throw either normally open or normally closed. In general, normally open may be specified by adding 01 to suffix numbers, and normally closed by adding 02.

For example, E51-00B is double throw, E51-01B is normally open and E51-02B is normally closed.

Mounting

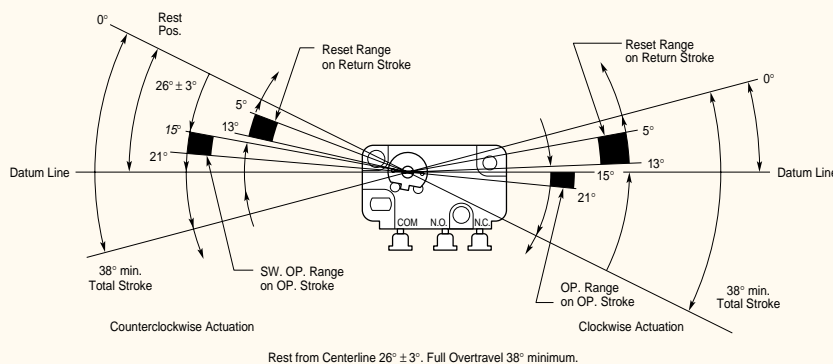
Recommended mounting screw size: #4-40 Round head. Recommended torque on screw: 4 inch lbs. max.

Operating Characteristics

| | |
|-----------------------|------------------------------|
| Standard Force | 4.0" gms. (max.) |
| Overtravel | 15° min. (10.5 gram – cm) |
| Movement Differential | 3° min. |

Note: Special models and tooling capability available for custom wire form actuators.

Note: Additional operating forces available upon request. Consult factory.



Actuator Specifications

| Switch Type | Actuator Type | Direction of Actuator | Terminals inches (mm) |
|-------------|---------------|-----------------------|--------------------------------|
| | -00B | Clockwise | Standard Parallel 0.205 (5.21) |
| | -00R | Clockwise | Standard Parallel 0.187 (4.75) |
| | -00E | Counter Clockwise | Standard Parallel 0.205 (5.21) |
| | -00T | Counter Clockwise | Standard Parallel 0.187 (4.75) |
| | -50B | Clockwise | Vertical Twist 0.205 (5.21) |
| | -50R | Clockwise | Vertical Twist 0.187 (4.75) |
| | -50E | Counter Clockwise | Vertical Twist 0.205 (5.21) |
| | -50T | Counter Clockwise | Vertical Twist 0.187 (4.75) |
| | -60B | Clockwise | Vertical Straight 0.205 (5.21) |
| | -60R | Clockwise | Vertical Straight 0.187 (4.75) |
| | -60E | Counter Clockwise | Vertical Straight 0.205 (5.21) |
| | -60T | Counter Clockwise | Vertical Straight 0.187 (4.75) |

Ordering Information

Select the current rating you need. Combine the corresponding Series/Prefix number with the appropriate suffix number for the switch type, circuitry and terminals you require.