

Distributed by:

**JAMECO**<sup>®</sup>  
ELECTRONICS

**www.Jameco.com ♦ 1-800-831-4242**

The content and copyrights of the attached  
material are the property of its owner.

Jameco Part Number 174140

# FP-108M/DC

120x120x25.4mm

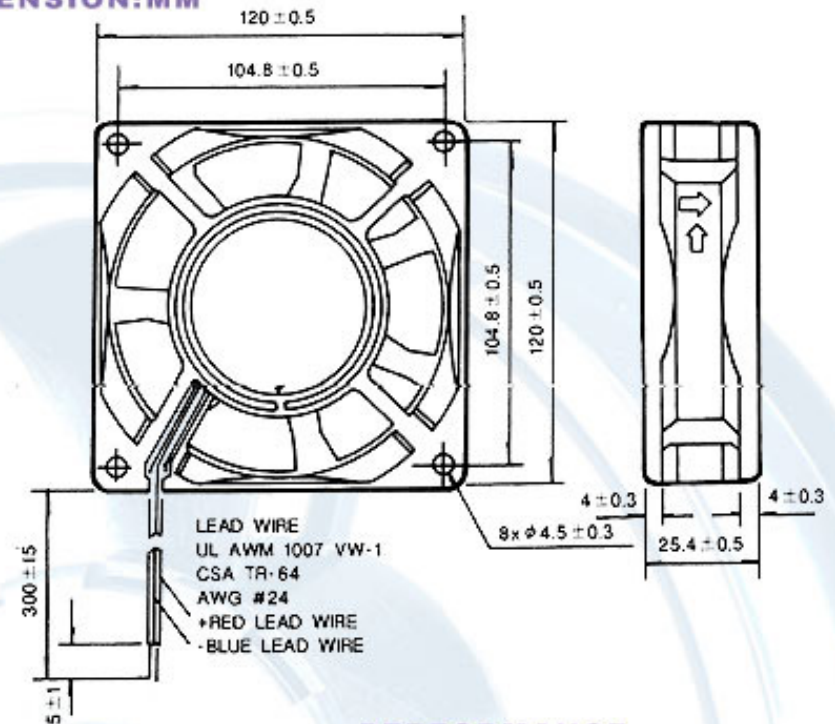


## DESIGN FEATURES

- \***BEARING SYSTEM:** SLEEVE BEARING & BALL BEARING
- \***WEIGHT:** 150(g)
- \***IMPELLER:** PLASTIC WITH FIBER GLASS FILLED UL 94V-0
- \***HOUSING:** PLASTIC WITH FIBER GLASS FILLED UL 94V-0
- \***MOTOR:** BRUSHLESS DC
- \***CONNECTING:** WIRE LEADS
- \***SPEED:** S-1 HIGH SPEED TYPE  
S-2 MEDIUM SPEED TYPE  
S-3 LOW SPEED TYPE

\*AVAILABLE FG TYPE FOR SPEED SENSOR SIGNAL

## DIMENSION:MM



## SPECIFICATIONS

Model No.	VOLTAGE (VAC)	AIR (CFM)	VOLUME (M3/MIN)	COURRENT (A)	POWER (W)	SPEED (RPM)	STATIC PRESSURE (INCH-H2O)	NOISE (d BA)
FP-108M/DC (S-1)	12	88	2.5	0.36	4.32	3000	0.20	45
	24	88	2.5	0.24	5.76	3000	0.20	45
FP-108M/DC (S-2)	12	75	2.1	0.25	3.00	2500	0.15	42
	24	75	2.1	0.18	4.32	2500	0.15	42
FP-108M/DC (S-3)	12	62	1.8	0.14	1.68	2000	0.12	25
	24	62	1.8	0.10	2.40	2000	0.12	25

## PERFORMANCE

