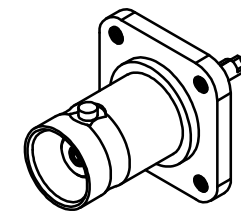
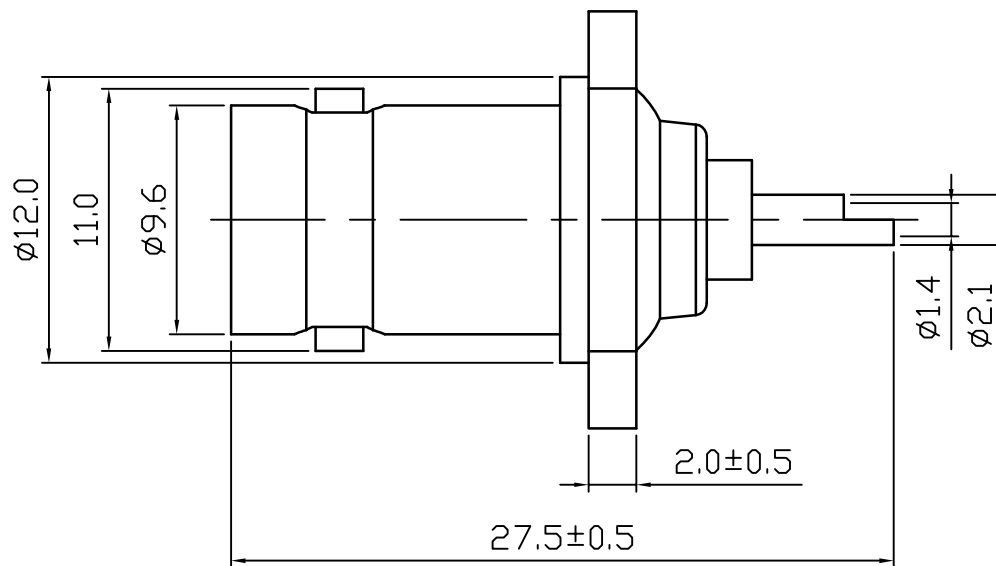
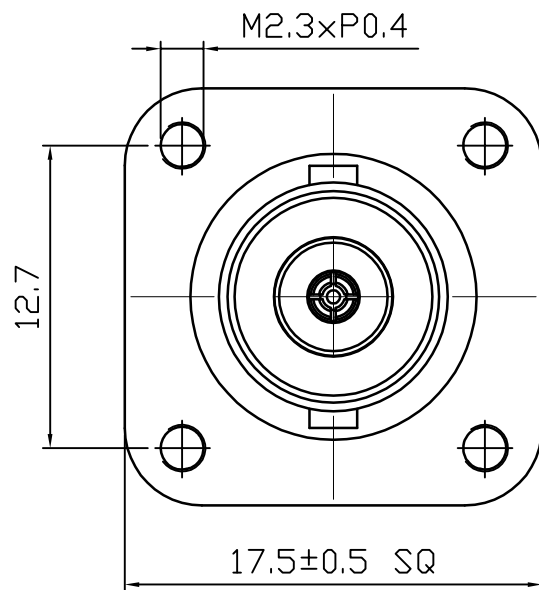


ROHS COMPLIANCE

DATE	DESCRIPTION	REV
13.06.27	NEW RELEASE	A



DO NOT SCALE DRAWING

4	PANEL	1	BRASS	NICKEL	
3	INSULATOR	1	POM	WHITE	
2	PIN	1	BRASS	GOLD	
1	BODY	1	BRASS	NICKEL	
NO	Description	Q'ty	Material	Finish	Part Number

UNLESS OTHERWISE SPECIFIED
 1. REMOVE ALL BURRS.
 2. BREAK ALL CONNERS & EDGES CO.15 MAX.
 3. CHAMFER 1ST & LAST THREADS 45°.
 4. DIAMETERS ON COMMON CENTERS.
 TO BE CONCENTRIC WITHIN 0.01 T.I.R.
 5. ALL DIMENSIONS ARE AFTER PLATING.

MAJOR DIMENSIONS
 UNLESS OTHERWISE NOTED TOLERANCES
 0.5-6=±0.2
 6-30=±0.4
 30-120=±0.6
 ANGLES=±5°

APPROVED BY
 CHECKED BY
 DRAWING BY
 DATE 2013/06/27

DRAWING NO
WJ-7033
 TITLE
BNC FEMALE BULKHEAD
GOLDSUN ELECTRONICS CO., LTD.
 REV.
A

8 7 6 5 4 3 2 1