

Distributed by:


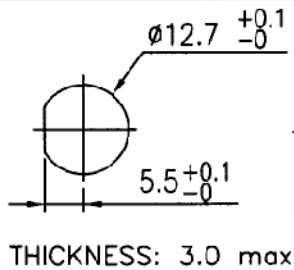


**JAMECO**<sup>®</sup>  
ELECTRONICS

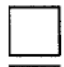


**www.Jameco.com ♦ 1-800-831-4242**

The content and copyrights of the attached  
material are the property of its owner.

Jameco Part Number 174414

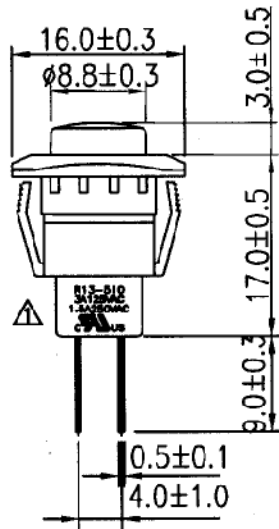
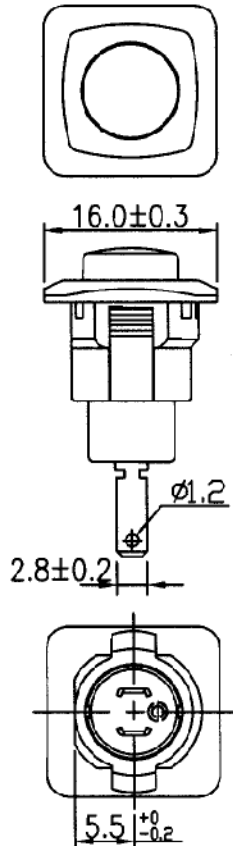
Date	Rev.	Description

<b>Rating</b>	3A 125V, 1.5A 250V AC 	<b>Mounting Hole</b> 	<b>Circuit Diagram</b>	
<b>Contact Resistance</b>	50m ohm Max.		A	OFF-(ON), Push ON 
<b>Insulation Resistance</b>	DC 500V 100M ohm Min.		B	ON-(OFF), Push OFF 
<b>Dielectric Strength</b>	AC 1000V 1 minute			
<b>Switch Function</b>	SEE TABLE			

R13-510  -  

FUNCTION	
A	2P SPST OFF-(ON), Push ON
B	2P SPST ON-(OFF), Push OFF

TERMINAL	
03	.110"*.0195"t(2.8*0.5t)SQ only for A
05	S0.for A.B.



MATERIAL:  
 Frame: NYLON.  
 Terminal: Silver plated copper

MATERIAL	<b>GOLDSUN ELECTRONICS CO., LTD.</b>		
JAMECO NO.	<b>174414</b>	GOLDSUN NO.	R13-510A
DESCRIPTION	PUSH BUTTON SWITCH		Rev. 1
UNIT: mm	SCALE:	SHEET 1 OF 1	CAS No: ERN No:

DCC. NO.
A4 DRAWING NO.

DRAWN: Kiki Chen
VERIFY PEOPLE: