

Distributed by:

JAMECO[®]
ELECTRONICS

www.Jameco.com ♦ 1-800-831-4242

The content and copyrights of the attached
material are the property of its owner.

Jameco Part Number 1766235

PHONE JACKS

3.5mm SMT Jacks from Switchcraft

Switchcraft introduces a new series of 3.5mm jacks. These low profile jacks come in a wide variety of circuits, both 2 and 3 conductor versions. Circuits include mono closed, stereo open, stereo tip closed and ring open, and stereo closed. The 35RASMT Series is available on tape and reel only. Contact Switchcraft for exact dimensions of the reels. They're designed for use in today's electronic equipment that features remote speakers, headsets, and headphones. While they are more compact than commonly used PC mount phone jacks, they are still extremely durable.

Features and Benefits

- SMT mounting
- Tape and reel packaging
- Wide variety of circuits

Applications

- Computer
- Video Cameras
- Personal/Portable Audio Devices
- Multimedia

Specifications

Electrical

Current Rating: 3A
Contact Resistance: <50 mohms
Insulation Resistance: 100 mohms (min.)
Dielectric Withstanding Voltage:
250VAC @ 1 minute

Mechanical

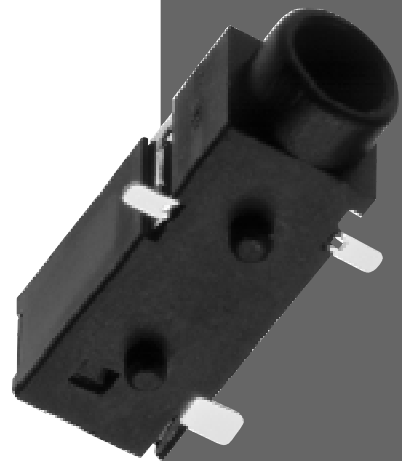
Lifecycles: 5,000
Operating Temperature: -25°C to +85°C

Material

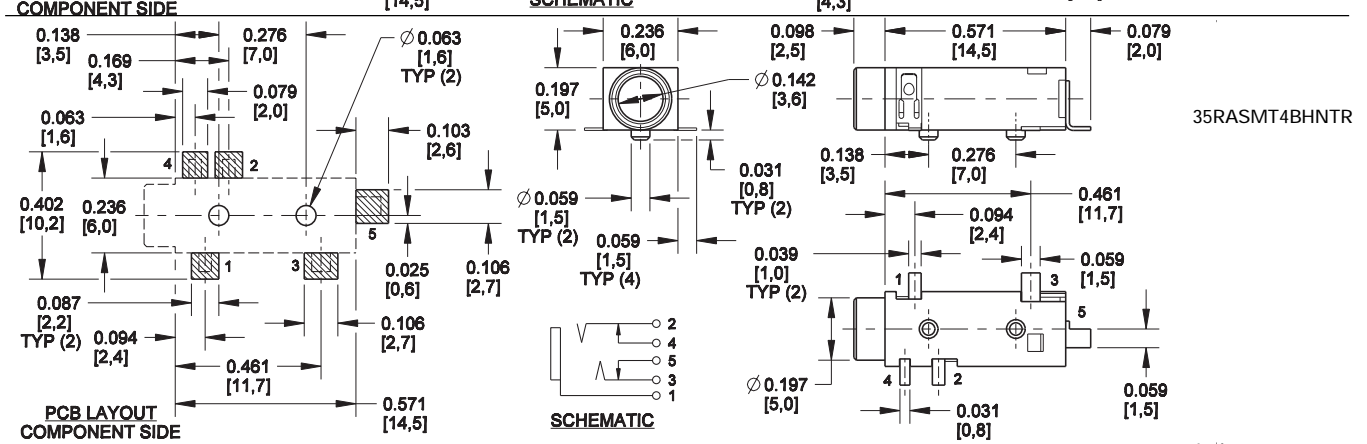
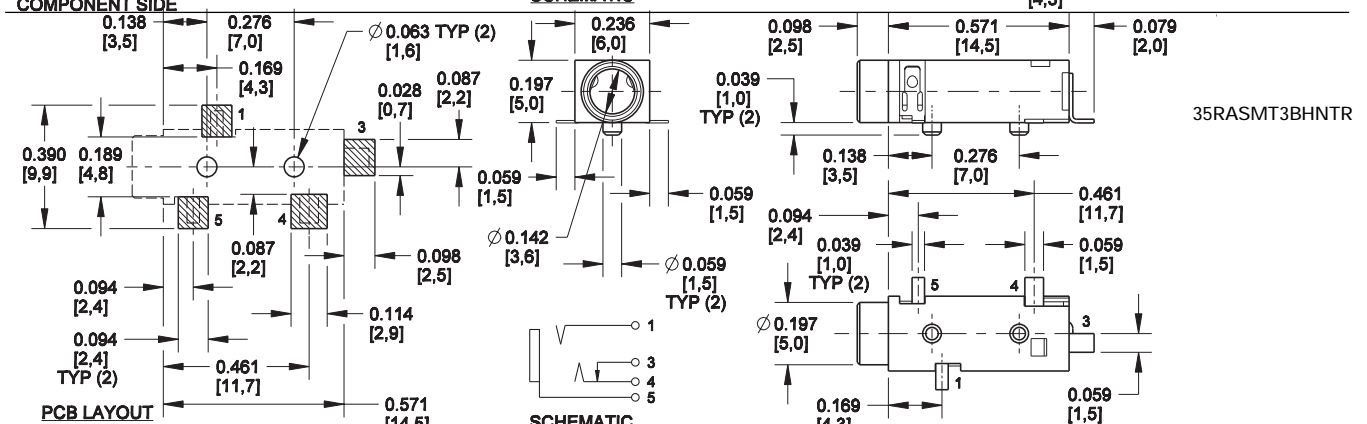
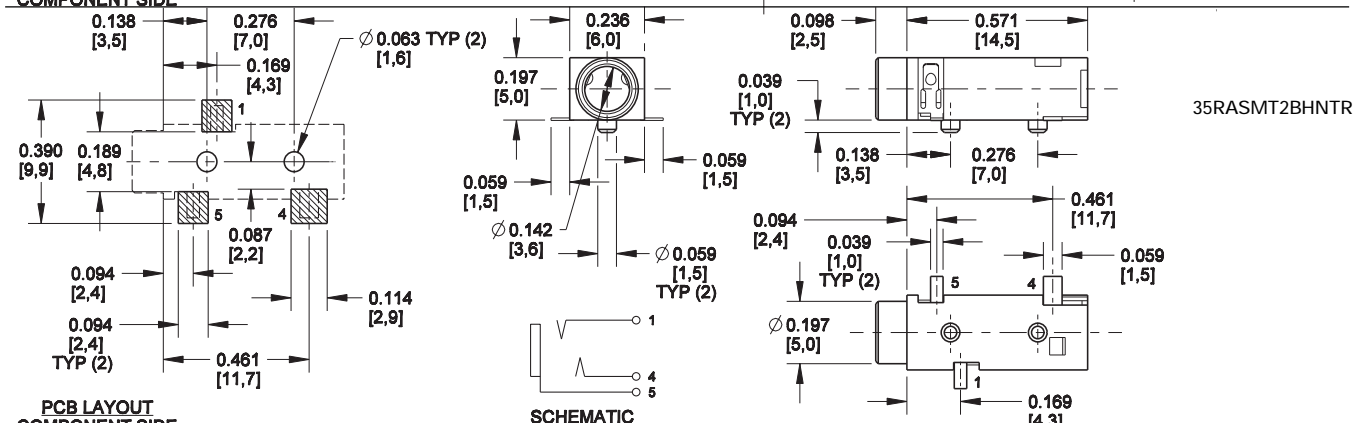
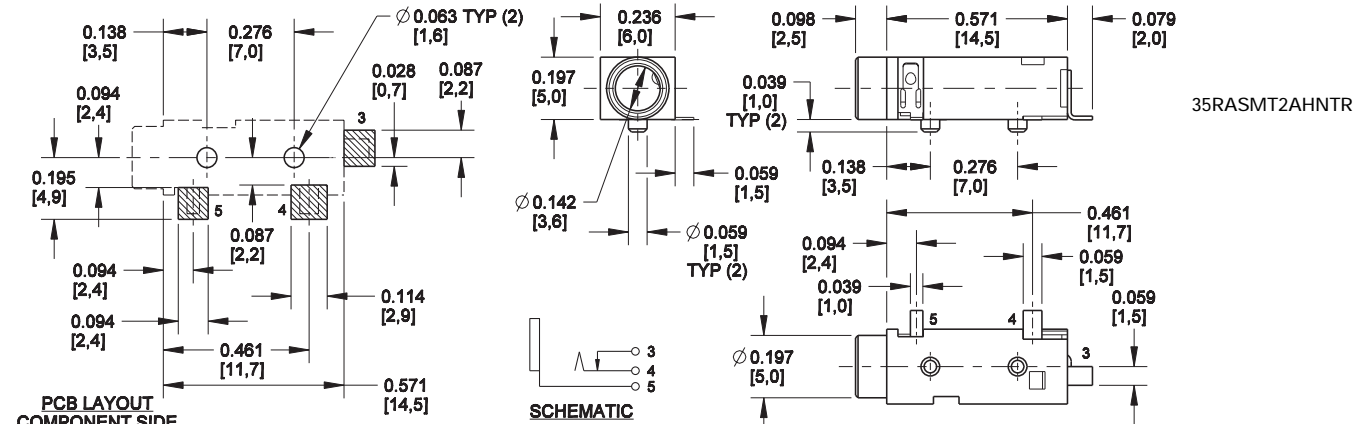
Housing: Black thermoplastic
Sleeve, Ring and Tip Terminals: Copper Alloy,
silver-plated
Shunt Terminal: Copper Alloy, Silver-plated

Part Number	Description
35RASMT2AHNTR	Mono, closed circuit, on tape and reel
35RASMT2BHNTNTR	Stereo, dual open circuit, on tape and reel
35RASMT3BHNTNTR	Stereo, tip closed and ring open circuit, on tape and reel
35RASMT4BHNTNTR	Stereo, dual closed circuit, on tape and reel

PRODUCT BULLETIN 546



3.5mm SMT PHONE JACKS PRODUCT BULLETIN 546



DIMENSIONS ARE FOR REFERENCE ONLY Inch
(mm)
All PC Board layouts are component side