

DC SOLID STATE RELAY

KG1005D
KG1010D
KG1025D
KG1040D
KG1050D
KG1075D

KG SERIES

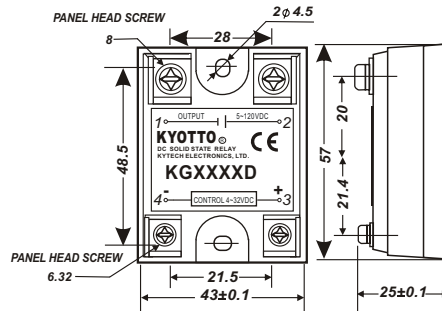


SPECIFICATIONS

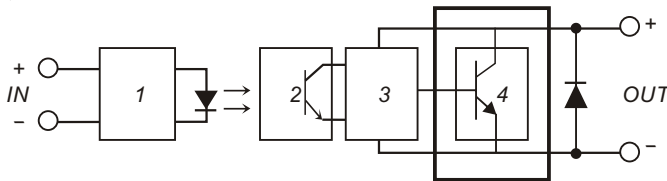
| MODEL NO. | CONTROL VOLTAGE RANGE | MUST TURN OFF VOLTAGE | INPUT IMPEDANCE | MAX LOAD CURRENT | LOAD VOLTAGE RANGE | MIN BLOCKING VOLTAGE | MAX OFF-STATE LEAKAGE | FREQUENCY RANGE | MAX 1-CYCLE PEAK SURGE |
|-----------|-----------------------|-----------------------|-----------------|------------------|--------------------|----------------------|-----------------------|-----------------|------------------------|
| KG1005D | 3 TO 32 VDC | MAX 1.0 VDC | 1.5 Kohm | 5A | 5-120VDC | 200VDC | LESS 3 mA | 47-70HZ | 25A |
| KG1010D | 3 TO 32 VDC | MAX 1.0 VDC | 1.5 Kohm | 10A | 5-120VDC | 200VDC | LESS 5 mA | 47-70HZ | 50A |
| KG1025D | 3 TO 32 VDC | MAX 1.0 VDC | 1.5 Kohm | 25A | 5-120VDC | 200VDC | LESS 7 mA | 47-70HZ | 100A |
| KG1040D | 3 TO 32 VDC | MAX 1.0 VDC | 1.5 Kohm | 40A | 5-120VDC | 200VDC | LESS 7 mA | 47-70HZ | 200A |
| KG1050D | 3 TO 32 VDC | MAX 1.0 VDC | 1.5 Kohm | 50A | 5-120VDC | 200VDC | LESS 7 mA | 47-70HZ | 250A |
| KG1075D | 3 TO 32 VDC | MAX 1.0 VDC | 1.5 Kohm | 75A | 5-120VDC | 200VDC | LESS 7 mA | 47-70HZ | 375A |

| MODEL NO. | MAX OFF STATE dv/dt | MAX ON-STATE VOLTAGE DROP | ISOLATE IMPEDENCE | DIELECTRIC STRENGTH INPUT-OUTPUT | DIELECTRIC STRENGTH INPUT-OUTPUT-CASE | TURN ON TIME | TURN OFF TIME | CAPACITANCE IN-OUT | WEIGHT (g) |
|-----------|---------------------|---------------------------|-------------------|----------------------------------|---------------------------------------|--------------|---------------|--------------------|------------|
| KG1005D | 200 V/ μ SEC | 2.0Vrms | 10^9 ohm | 4000 VACrms | 2500 VACrms | LESS 2 mSec | LESS 2 mSec | LESS 15 PF | 95 g |
| KG1010D | 200 V/ μ SEC | 2.0Vrms | 10^9 ohm | 4000 VACrms | 2500 VACrms | LESS 2 mSec | LESS 2 mSec | LESS 15 PF | 95 g |
| KG1025D | 200 V/ μ SEC | 2.0Vrms | 10^9 ohm | 4000 VACrms | 2500 VACrms | LESS 2 mSec | LESS 2 mSec | LESS 15 PF | 95 g |
| KG1040D | 200 V/ μ SEC | 2.0Vrms | 10^9 ohm | 4000 VACrms | 2500 VACrms | LESS 2 mSec | LESS 2 mSec | LESS 15 PF | 95 g |
| KG1050D | 200 V/ μ SEC | 2.0Vrms | 10^9 ohm | 4000 VACrms | 2500 VACrms | LESS 2 mSec | LESS 2 mSec | LESS 15 PF | 95 g |
| KG1075D | 200 V/ μ SEC | 2.0Vrms | 10^8 ohm | 4000 VACrms | 2500 VACrms | LESS 2 mSec | LESS 2 mSec | LESS 15 PF | 95g |

OUTLINE DIMENSIONS (unit:mm)



EQUIVALENT CIRCUIT



- 1.INPUT CIRCUIT
- 2.PHOTO DETECTOR
- 3.AMPLIFIER
- 4.PROTECTED CIRCUIT

CHARACTERISTIC CURVES

