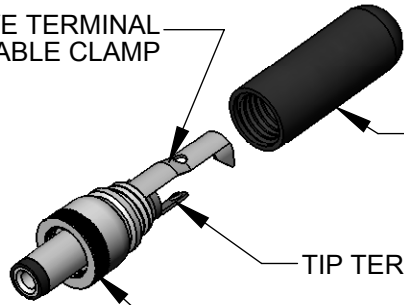


PART NUMBER	HANDLE COLOR
760K	BLACK
765K	RED

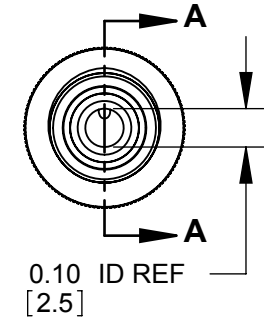
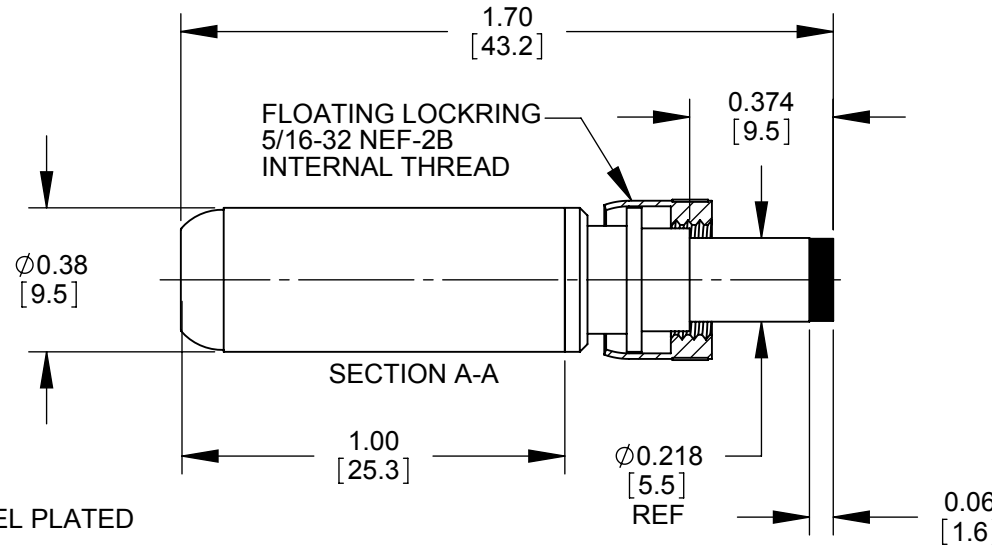
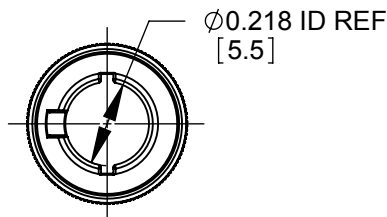
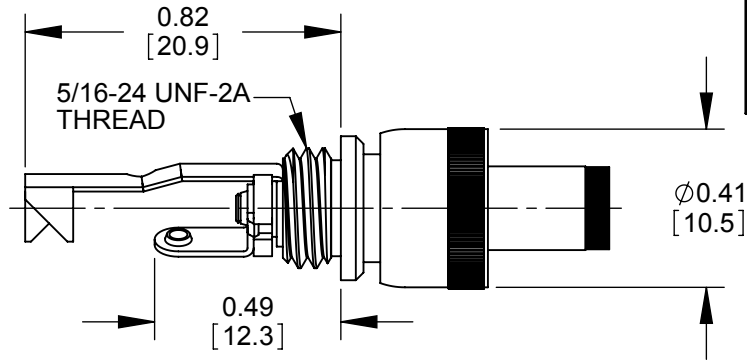
SLEEVE TERMINAL
CABLE CLAMP



HANDLE
SHIPPED
UNASSEMBLED

TIP TERMINAL

COUPLING RING



NOTES:

- MATERIALS:
CONDUCTORS, LOCKRING - BRASS, NICKEL PLATED
TERMINALS - BRASS, TIN PLATED
INSULATORS, HANDLE - THERMOPLASTIC
- THIS PRODUCT IS RoHS COMPLIANT

CUSTOMER DRAWING

					THIS DRAWING DESCRIBES A DESIGN CONSIDERED PROPRIETARY IN NATURE, DEVELOPED AND MANUFACTURED BY SWITCHCRAFT INC. AND IS RELEASED ON A CONFIDENTIAL BASIS FOR IDENTIFICATION PURPOSES ONLY.				
UNLESS OTHERWISE SPECIFIED 1. ALL DIMENSIONS IN INCHES - TWO PLACE DECIMALS ±0.02 - THREE PLACE DECIMALS ±0.005					SIZE	WIDTH	MULT	LBS/M	TEMPER
					FINISH			MATERIAL	
					SPEC No.			SPEC No.	
					FIRST USED ON			SCALE	
C	25989	11-13-08	JEB	TJK	3-31-09	JEB	3-31-09	3-31-09	3-31-09
REV	ECO NUMBER	DATE	BY	APVD	NAME			PART No.	REV
REVISIONS					DO NOT SCALE DRAWING			760K-765K	C

SolidWorks CAD File



Switchcraft®

SHEET 1 OF 1

PART No.

760K-765K

REV

C