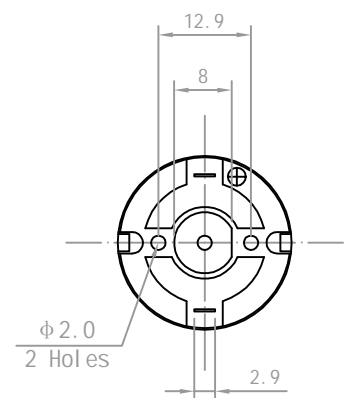
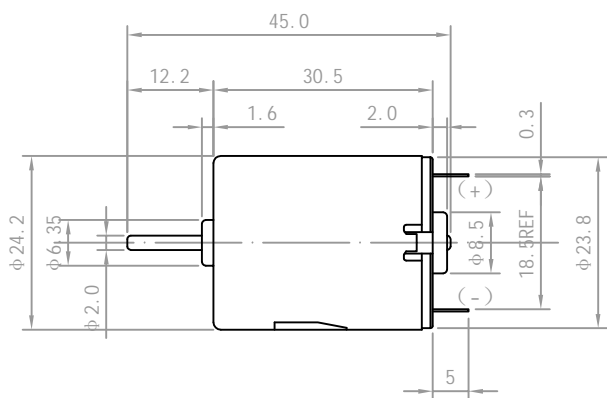
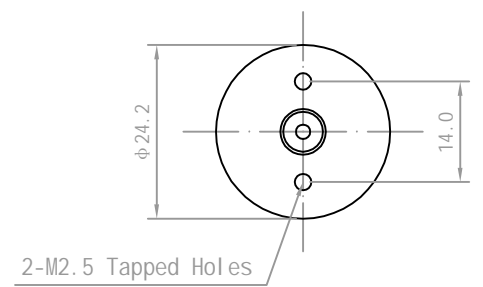


Rev.	Description	Date
01		

Direction Of Rotation



No.	Item	Specification	No.	Item	Specification
1	Operating Voltage	4.5-8.4V DC	7	Rated Torque	33.3g.cm
2	Rated Voltage	7.2V DC	8	Stall Current	6.6A
3	No Load Speed	16800±10%rpm	9	Stall Torque	220g.cm
4	No Load Current	0.21A			
5	Rated Speed	14260±10%rpm			
6	Rated Current	1.18A			

Drawn	Bruce	04/25/2018	<b>Unit: mm</b> <b>Kysan Electronics</b> www.kysanelectronics.com info@kysanelectronics.com	
Checked	Eva	04/25/2018		
Eng Appr.				
Mfg Appr.				
Q.A.				
<b>SKU:</b> 1112103			Size :A4	Weight(g):
			Scale 1:1	