

Distributed by:

JAMECO[®]
ELECTRONICS

www.Jameco.com ♦ 1-800-831-4242

The content and copyrights of the attached
material are the property of its owner.

Jameco Part Number 1814233



MICRO SWITCH
 FREEPORT, ILLINOIS, U.S.A.
 A DIVISION OF HONEYWELL

FED. MFG. CODE 91929

SWITCH - BASIC

CATALOG LISTING

11SM3

CATALOG LISTING
11SM3
 PAGE 1 OF 1

M

DRAWING NUMBER

ISSUE

ISSUE 10

REVISIONS

A	C022077	GCH	1 DEC 66
B	C029449	SRH	23 FEB 72
C	CO-82803-B	CSL	5 SEP 96
D	C095691	GJW	3 DEC 99

CHECK LSD 21 DEC '66

CHECK

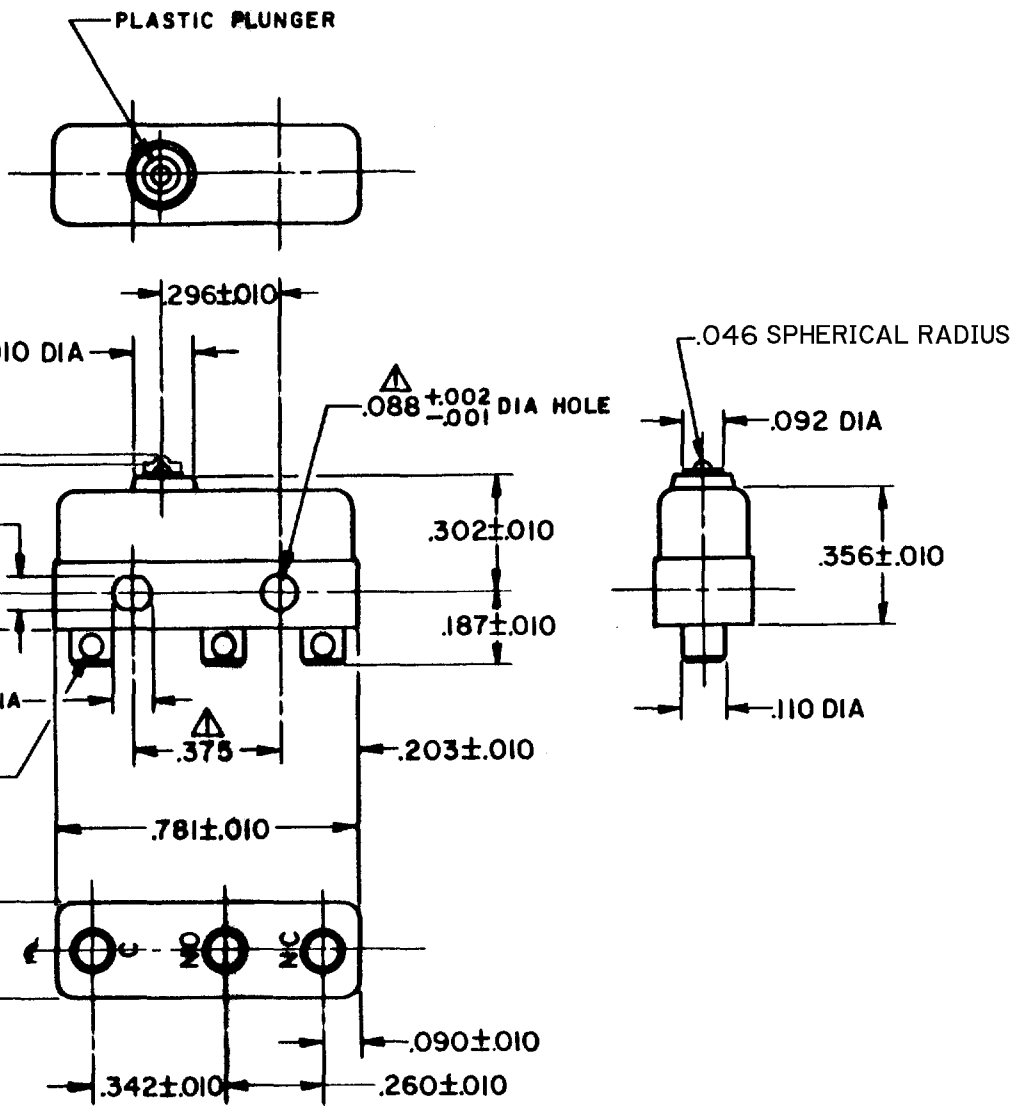
FORMTEK
 DRAWN GCH 1 DEC 66

REPLACES

RELEASE NO.

CHECK

CHECK



- NOTE-
- 1- MOUNTING HOLES WILL ACCEPT PINS OR SCREWS OF .087 MAX DIA ON .375±.002 CENTERS
 - 2- TERMINALS ARE PLATED FOR SOLDERING
 - 3- SWITCH WILL WITHSTAND TEMPERATURE OF 250° F

THIS DRAWING COVERS A PROPRIETARY ITEM AND IS THE PROPERTY OF MICRO SWITCH, A DIVISION OF HONEYWELL. THIS DRAWING IS NOT TO BE COPIED OR USED WITHOUT THE APPROVAL OF MICRO SWITCH.

CHARACTERISTICS	ELECTRICAL DATA	SCALE 2 TO 1
OPERATING FORCE ----- 3-5 OZ	CONTACT ARRANGEMENT S P D T	DO NOT SCALE PRINT
RELEASE FORCE ----- 1 OZ MIN	30 VOLTS DC RATING	UNLESS OTHERWISE NOTED
DIFFERENTIAL TRAVEL ----- .004 MAX	INDUCTIVE ----- SEA LEVEL ----- 3 AMP	DIMENSIONS ARE IN INCHES
OVERTRAVEL ----- .005 MIN	50,000 FT ----- 2.5 AMP	TOLERANCES ARE:
	RESISTIVE ----- SEA LEVEL ----- 5 AMP	ONE PLACE (.0) ±.030
	50,000 FT ----- 5 AMP	TWO PLACE (.00) ±.015
	MAXIMUM INRUSH ----- 24 AMP	THREE PLACE (.000) ±.005
	UNDERWRITERS' LAB. INC. LISTED RATING	ANGLES ±
	-L4- 5 A-250 VAC	WEIGHT .006 LB MAX