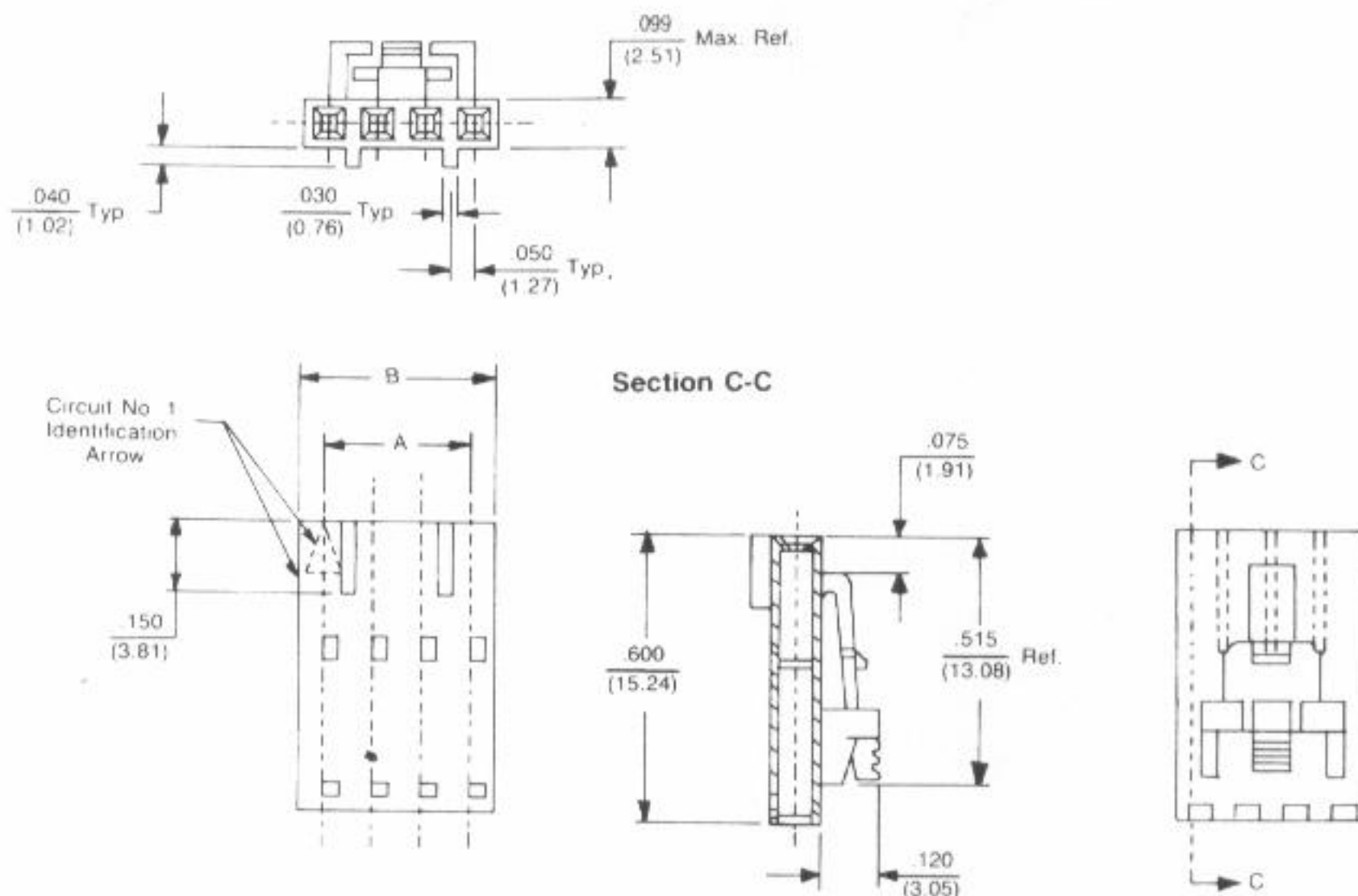


HOUSING

TMT-25403H

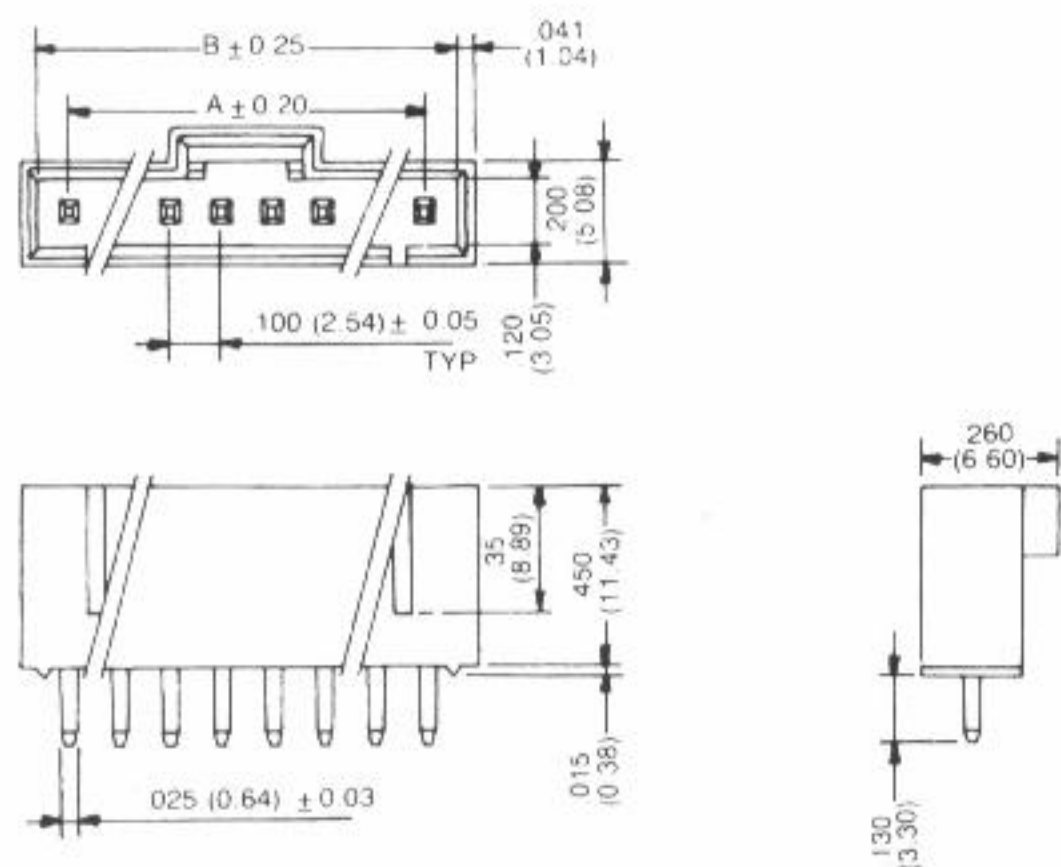


Poles	Part No.	Dimension in.(mm)		Material
		A	B	
2	TMT-25403H-02	.100(2.54)	.199(5.05)	PBT UL 94V-0 Black
3	TMT-25403H-03	.200(5.08)	.299(7.59)	
4	TMT-25403H-04	.300(7.62)	.399(10.13)	
5	TMT-25403H-05	.400(10.16)	.499(12.67)	
6	TMT-25403H-06	.500(12.70)	.599(15.21)	
7	TMT-25403H-07	.600(15.24)	.699(17.75)	

Poles	Part No.	Dimension in.(mm)		Material
		A	B	
8	TMT-25403H-08	.700(17.78)	.799(20.29)	PBT UL 94V-0 Black
9	TMT-25403H-09	.800(20.32)	.899(22.83)	
10	TMT-25403H-10	.900(22.86)	.999(25.37)	
11	TMT-25403H-11	1.000(25.40)	1.099(27.91)	
12	TMT-25403H-12	1.100(27.94)	1.199(30.45)	

WAFER 180°

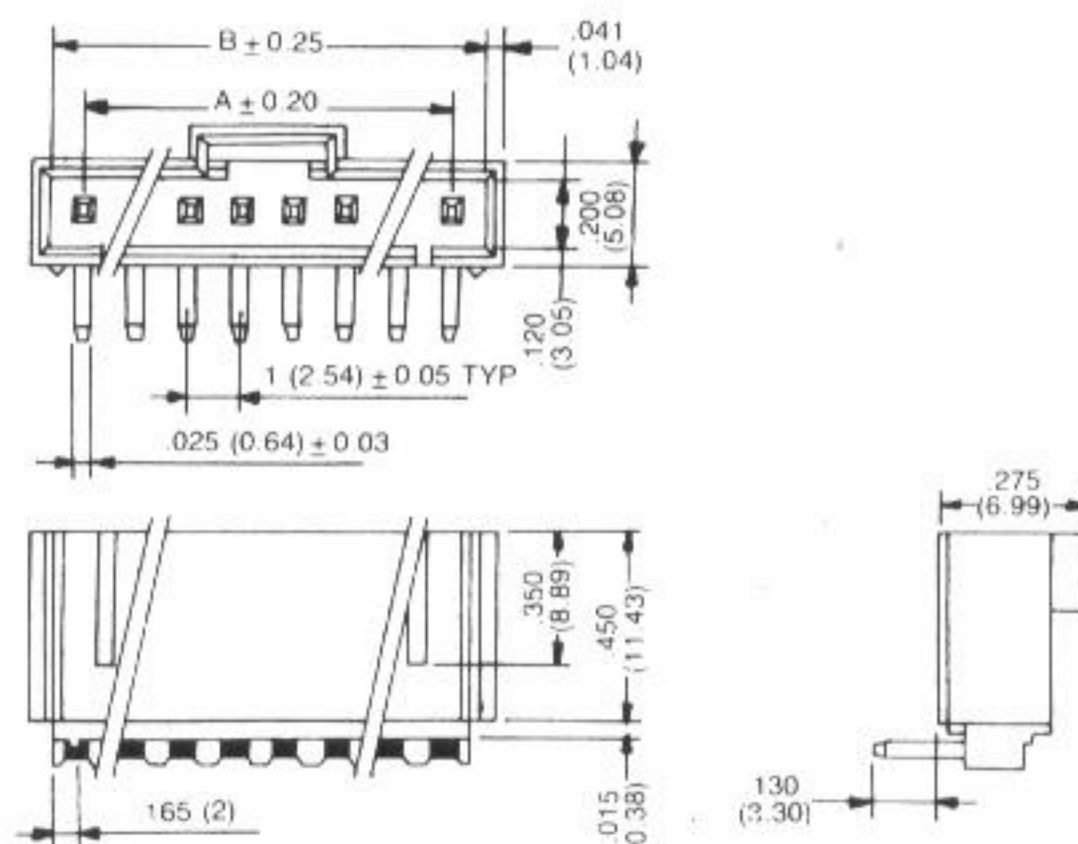
TMT-25403S



Poles	Part No.		Dimension in.(mm)		Material
	Top entry type	Side entry type	A	B	
2	TMT-25403S-02	TMT-25403R-02	.100(2.54)	.220(5.59)	PBT UL94V-0
3	TMT-25403S-03	TMT-25403R-03	.200(5.08)	.320(8.13)	
4	TMT-25403S-04	TMT-25403R-04	.300(7.60)	.420(10.67)	
5	TMT-25403S-05	TMT-25403R-05	.400(10.16)	.520(13.21)	
6	TMT-25403S-06	TMT-25403R-06	.500(12.70)	.620(15.75)	
7	TMT-25403S-07	TMT-25403R-07	.600(15.24)	.720(18.29)	

WAFER 90°

TMT-25403R



Poles	Part No.		Dimension in.(mm)		Material
	Top entry type	Side entry type	A	B	
8	TMT-25403S-08	TMT-25403R-08	.700(17.78)	.799(20.29)	PBT UL94V-0
9	TMT-25403S-09	TMT-25403R-09	.800(20.32)	.899(22.83)	
10	TMT-25403S-10	TMT-25403R-10	.900(22.86)	.999(25.37)	
11	TMT-25403S-11	TMT-25403R-11	1.000(25.40)	1.099(27.91)	
12	TMT-25403S-12	TMT-25403R-12	1.100(27.94)	1.199(30.45)	

SPECIFICATIONS

- Poles:2-12
- Voltage rating:250V AC,DC,
- Current rating:3A AC,DC
- Withstand voltage:1000V AC for one minute
- Insulation resistance:1000M Ω min.
- Temperature range:-25 $^{\circ}$ C~+85 $^{\circ}$ C
- Contact resistance:Initial Value/10m Ω max.
After environmental Testing/20m Ω max.
- Applicable PC board thickness:1.6mm(.063")

HOUSING

- Part No.:TMT-25403H
- Poles:2-12
- Material:P.B.T. UL94V-0,30% glass
- Q'ty:500, 1000 pcs/bag

WAFER

- Poles:2-12
- Part No.:TMT-25403S(180 $^{\circ}$)
TMT-25403R(90 $^{\circ}$)
- Material:P.B.T. UL94V-0 +15% glass fiber
- Q'ty:500, 1000 pcs/bag

TERMINAL

- Part No.:TMT-25403-T
- Applicable wires:AWG#22-30
- Material:Phosphor bronze
- Finish:Tin/plated
- Hardness:H
- Thickness:0.2mm
- Q'ty:15K/reel

TERMINAL

TMT-25403-T

