


Distributed by:

JAMECO[®]
ELECTRONICS

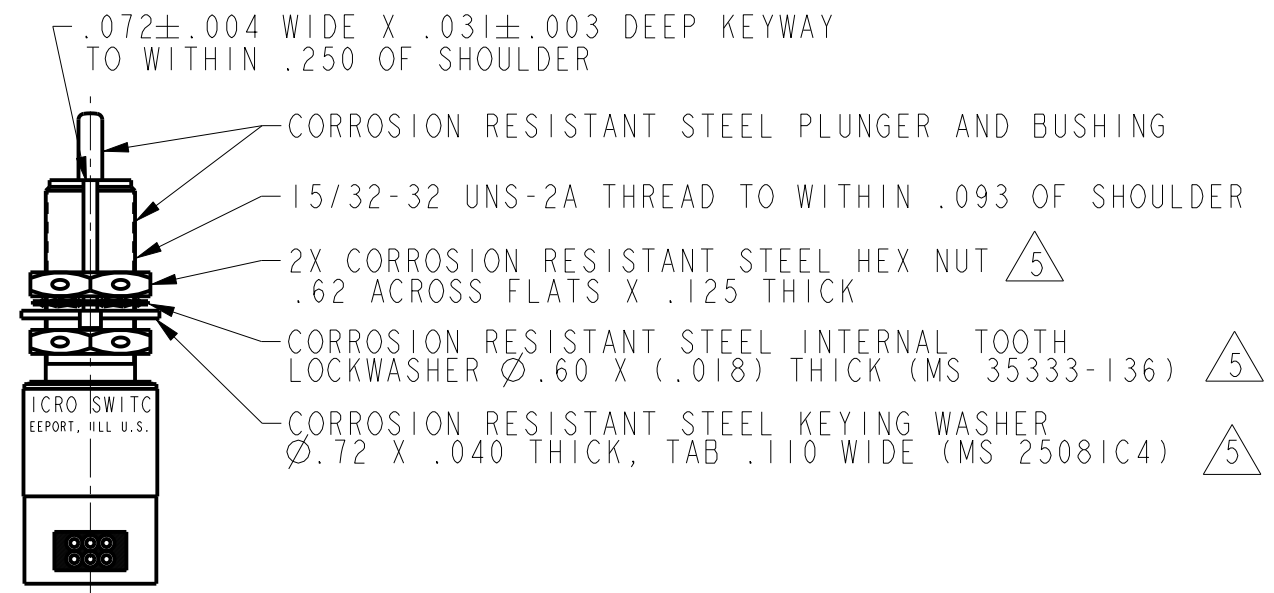
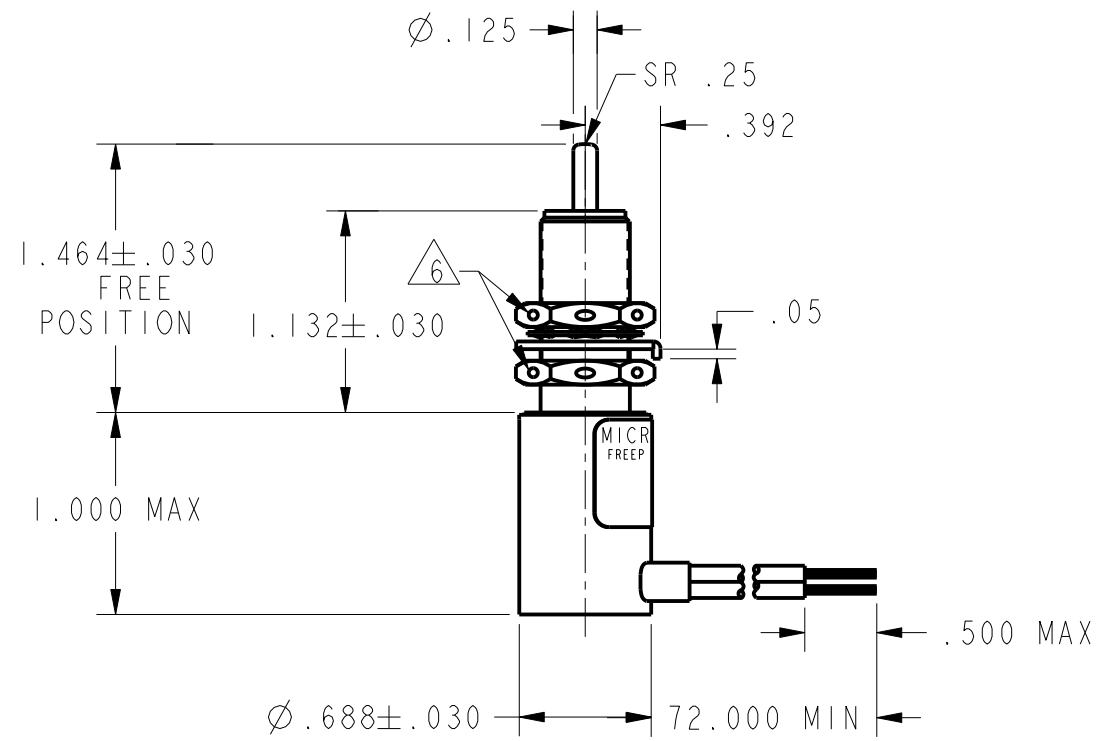
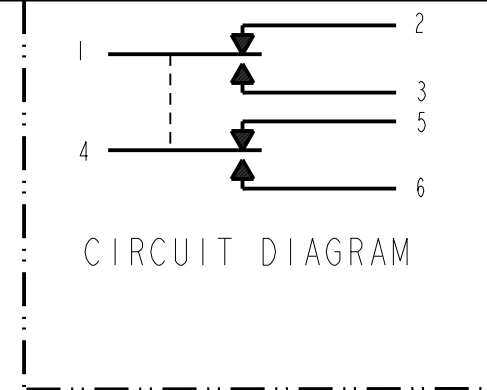
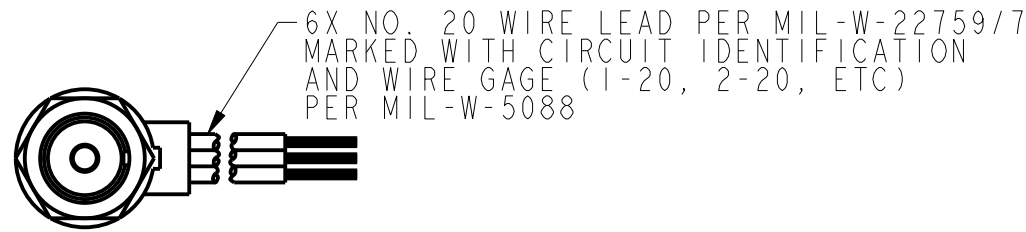
www.Jameco.com ♦ 1-800-831-4242

The content and copyrights of the attached
material are the property of its owner.

Jameco Part Number 1822938

| |
|-------------------------------------------------------------------------------------------|
| HONEYWELL PART NUMBER |
| 602EN602-6 |
| FAA-PMA  |

| REV | DOCUMENT | CHANGED BY | CHECK |
|-----|----------|------------|-------|
| 18 | 0006861 | AS 02AUG04 | AK |



- NOTES
- 1 - CORROSION RESISTANT STEEL ENCLOSURE
 - 2 - SWITCH SEALED PER MIL-PRF-8805 SYMBOL 4
 - 3 - CIRCUIT DIAGRAM, CATALOG LISTING, DATE CODE, FED MFG CODE AND FAA-PMA ARE SHOWN ON NAMEPLATE
 - 4 - COINCIDENCE OF OPERATING AND RELEASING POINTS: .010 OF PLUNGER TRAVEL
 - (5) HARDWARE MAY BE PACKAGED UNASSEMBLED PER MIL-PRF-8805
 - (6) 3X Ø.047 HOLE FOR WIRE LOCKING
 - (7) FOR MANUFACTURING DETAIL SEE ASSEMBLY DRAWING 602EN602-6 FOR FAA-PMA

| CHARACTERISTICS |
|--------------------------------------|
| OPERATING FORCE ----- 2-4 LB |
| FULL OVERTRAVEL FORCE ---- 15 LB MAX |
| RELEASE FORCE ----- 1 LB MIN |
| PRETRAVEL ----- .015±.010 |
| DIFFERENTIAL TRAVEL ----- .020 MAX |
| OVERTRAVEL ----- .250 MIN |
| FREE POSITION |

| ELECTRICAL DATA | | |
|-----------------------------------|-----------|-----------|
| CONTACT ARRANGEMENT 2X S P D T | | |
| LOAD | 28 VDC | |
| | SEA LEVEL | 50,000 FT |
| RES | 7 | 7 |
| IND | 4 | 2.5 |
| MOTOR | 4 | |
| LAMP | | |

| |
|---------------------------|
| DESIGN UNITS: INCH |
| TOLERANCES UNLESS NOTED: |
| NO PLACE X ± 0.400 |
| ONE PLACE .X ± 0.030 |
| TWO PLACE .XX ± 0.015 |
| THREE PLACE .XXX ± 0.005 |
| FOUR PLACE .XXXX ± 0.0005 |
| ANGLES X ± 3 |
| THIRD ANGLE PROJECTION |

| | | |
|--------------------------------------------------------------------------------------------------------------------------------------------------------|-----|---------|
| DRAWN | JLH | 01NOV00 |
| CHECK | SAV | 01NOV00 |
| THIS DRAWING COVERS A PROPRIETARY ITEM AND IS THE PROPERTY OF HONEYWELL. THIS DRAWING IS NOT TO BE COPIED OR USED WITHOUT THE PERMISSION OF HONEYWELL. | | |
| INTERPRET PER ASME Y14.5M-1994 OTHER HONEYWELL ENGINEERING STANDARDS MAY APPLY | | |
| Pro/ENGINEER | 2D | |

| | | | |
|---------------------------------|----------|-------------------|--------------|
| Honeywell | | | |
| TITLE SWITCH-ENCLOSED | | | |
| SIZE | TYPE | DRAWING NAME | REV |
| B | I | 602EN602-6 | 18 |
| SCALE | FULL | WEIGHT 7.1 OZ MAX | SHEET 1 OF 1 |