

Distributed by:

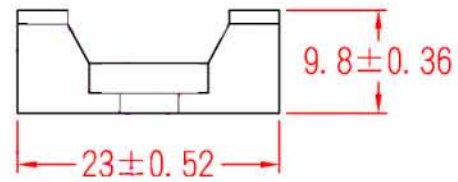
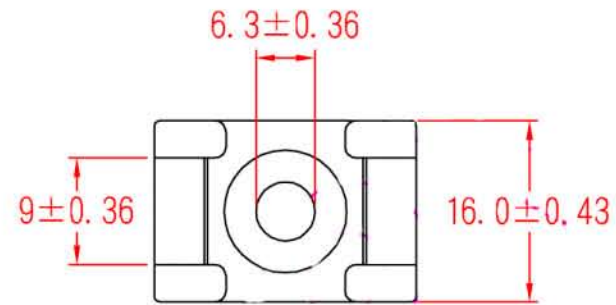
**JAMECO**<sup>®</sup>  
ELECTRONICS

**www.Jameco.com ♦ 1-800-831-4242**

The content and copyrights of the attached  
material are the property of its owner.

Jameco Part Number 182301

Date	Rev.	Description



DCC. NO.
A4 DRAWING NO.

MATERIAL		<b>GOLDSUN ELECTRONICS CO., LTD.</b>	
		PART NAME	Rev.
		SADDLE TYPE MOUNT	1
DRWN	DATE	JAMECO NO.	GOLDTOOL NO.
CHK	DATE	PN 182301	HC-2
APVD	DATE	UNIT:	SCALE:
		mm	SHEET 1 OF 1
			CAS No: ERN No: