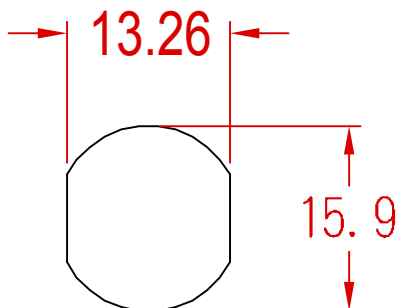
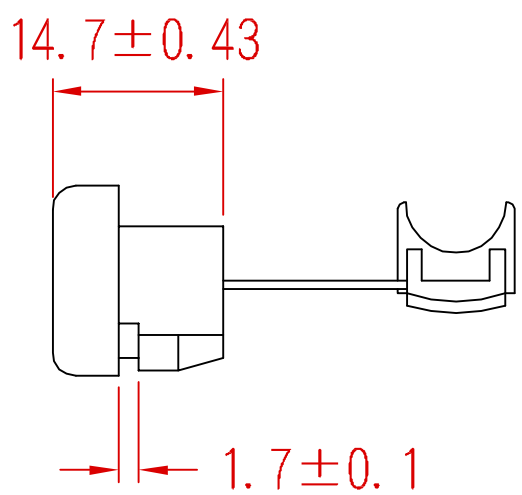


Date	Rev.	Description



MOUNTING HOLE

DCC. NO.
A4 DRAWING NO.

MATERIAL:		GOLDSUN ELECTRONICS CO., LTD.			
DRAWN: eden		JAMECO NO. 182369	GOLDSUN NO. 0705SR-6R1		
VERIFY PEOPLE: Chesley		Description Strain Relief Bush Round SJ/SJT 3C 16AWG Nylon 66 UL94V-2 Black			Rev. 1
UNIT: mm	SCALE:	SHEET 1 OF 1	CAS No: ERN No:		