

Distributed by:

JAMECO[®]
ELECTRONICS

www.Jameco.com ♦ 1-800-831-4242

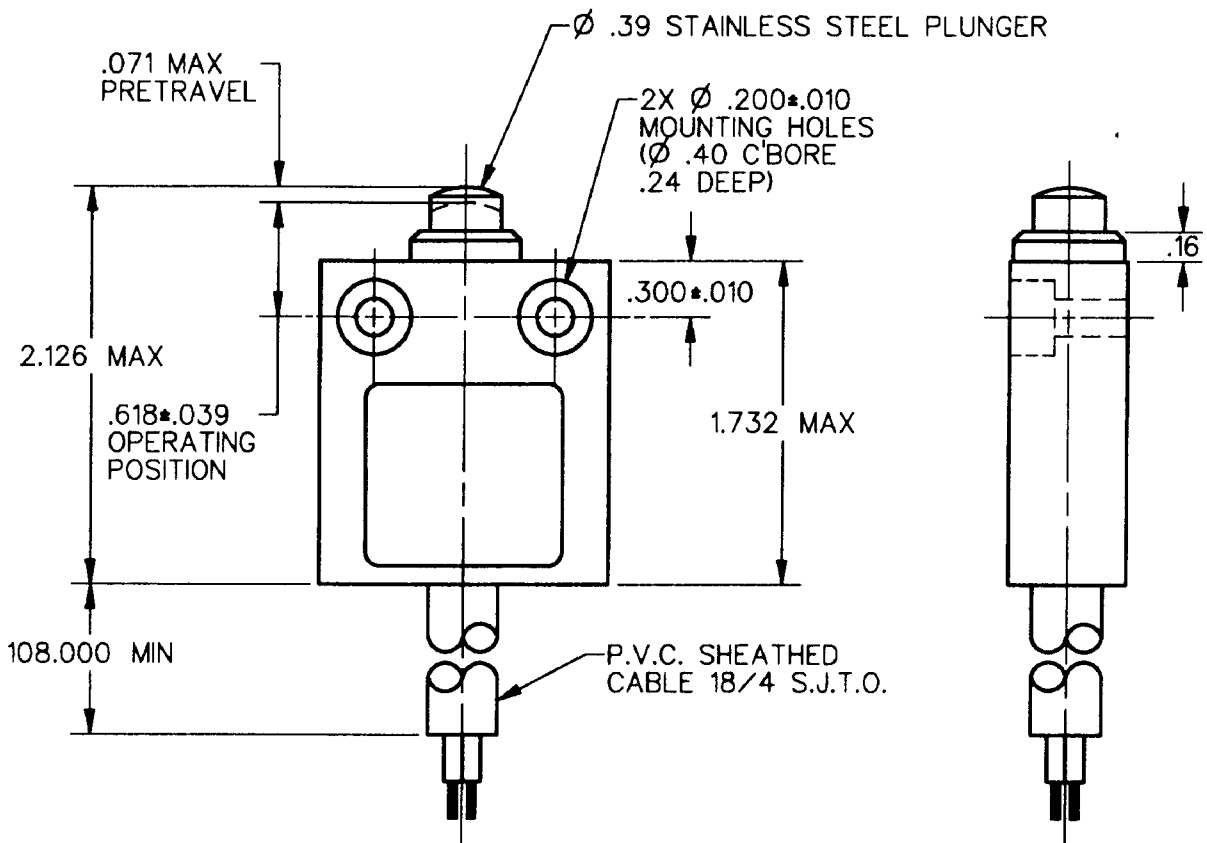
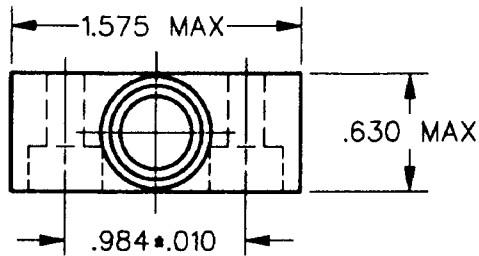
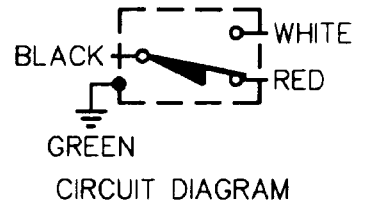
The content and copyrights of the attached
material are the property of its owner.

Jameco Part Number 1834390

MICRO SWITCH
a Honeywell Division
FED. MFG. CODE 91929

MINIATURE PRECISION
LIMIT SWITCH

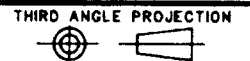
CATALOG LISTING
914CE1-9



NOTES
1 - ZINC HOUSING FINISHED WITH GRAY PAINT

ANSI Y14.5M-1982 APPLIES

THIS DRAWING COVERS A PROPRIETARY ITEM AND IS THE PROPERTY OF MICRO SWITCH, A DIVISION OF HONEYWELL. THIS DRAWING IS NOT TO BE COPIED OR USED WITHOUT THE APPROVAL OF MICRO SWITCH.



CHARACTERISTICS	ELECTRICAL DATA	SCALE FULL	DO NOT SCALE PRINT
		UNLESS OTHERWISE SPECIFIED TOLERANCES ARE	
OPERATING FORCE — — — 2.7 LB MAX	CONTACT ARRANGEMENT S P D T	ONE PLACE (.0)	±.030
RELEASE FORCE — — — 1.0 LB MAX		TWO PLACE (.00)	±.015
DIFFERENTIAL TRAVEL — — — .004 MAX	5A - 250 VAC 1/10HP - 125 OR 250 VAC	THREE PLACE (.000)	±.005
OVERTRAVEL — — — .118 MIN		ANGLES	±
		WEIGHT	



914CE1-9
 M
 DRAWING NUMBER
 5
 ISSUE
 REVISIONS
 A CO-69081
 S A V
 29 AUG 91
 CHECK
 13 NOV 91
 CHECK
 DDM/CAD
 DRAWN
 S A V 29 AUG 91
 CHECK
 RELEASE NO PR-3389
 REPLACES