

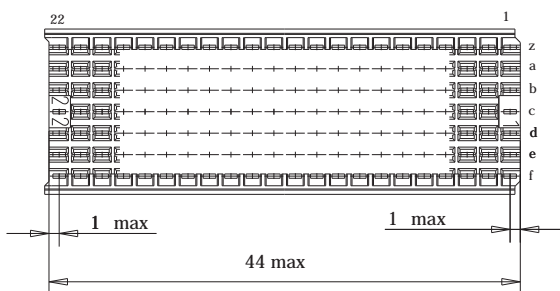
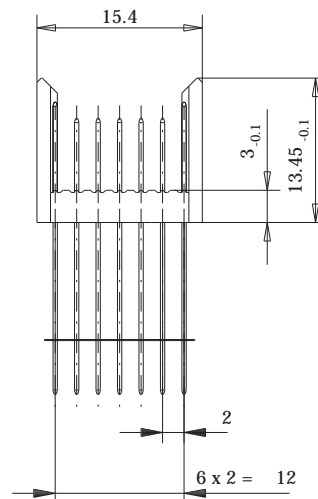
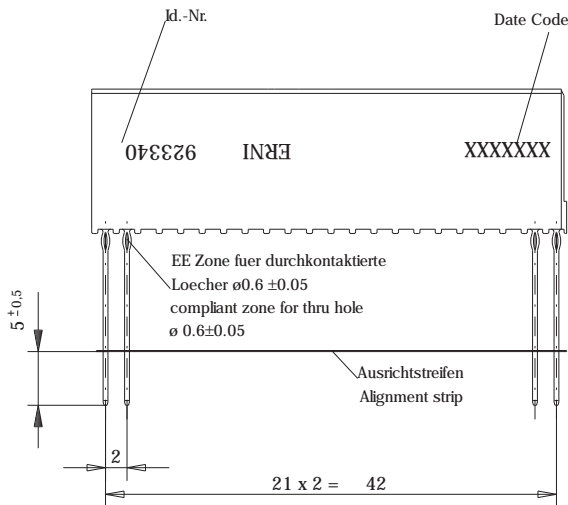
Distributed by:

JAMECO[®]
ELECTRONICS

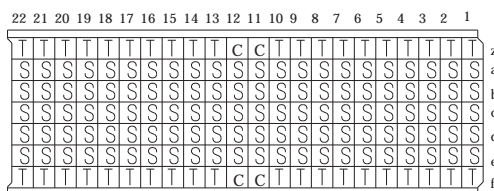
www.Jameco.com ♦ 1-800-831-4242

The content and copyrights of the attached
material are the property of its owner.

Jameco Part Number 1835368 Drawing

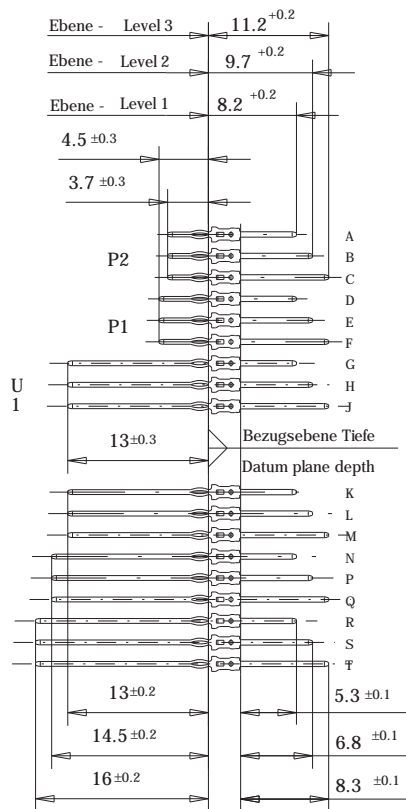
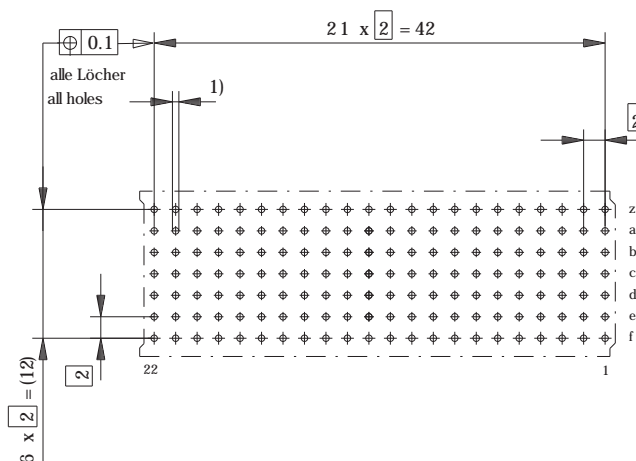


Bestueckungsplan - contact layout



Lochbild fuer Leiterplatte
(Bestueckungsseite)

Board hole pattern
(Component mounting side)



- 1) $\varnothing 0,6 \pm 0,05$ Durchmesser des metallisierten Loches
- $\varnothing 0,6 \pm 0,05$ Diameter of finished plated-through hole
- $\varnothing 0,7 \pm 0,02$ Bohrungsdurchmesser des Loches
- $\varnothing 0,7 \pm 0,02$ Diameter of drilled hole

Schichtaufbau im metallisierten Loch siehe Zeichnung 114406
Metal plating of plated-through hole see drawing 114406

Fehlende Maße und Angaben nach IEC 61076-4-101
Missing information and dimensions per IEC 61076-4-101

Information: P2,R1 Level 2,3 siehe Bestueckungsplan / see contact layout		Tolerances		Scale 2:1	Angaben zu entsprechender Ident-Nr. siehe Fertigungsunterlagen For further information about LD. number see manufacturing document
All rights reserved. Only for information. To insure that this is the latest version of this drawing, please contact one of the ERNI companies before using.		Subject to modification without prior notice. Drawing will not be updated.		Designation ERmet Messerleiste B 22 ERmet Male Wide Type B 22	
b		18.06.2001		923340	
Index		Date		I	
Consider protection memo from DFN 34		ERNI Elektroapparate GmbH D-73099 ADELBERG		M:00020581.SZN	