

Distributed by:

**JAMECO**<sup>®</sup>  
ELECTRONICS

**www.Jameco.com ♦ 1-800-831-4242**

The content and copyrights of the attached  
material are the property of its owner.

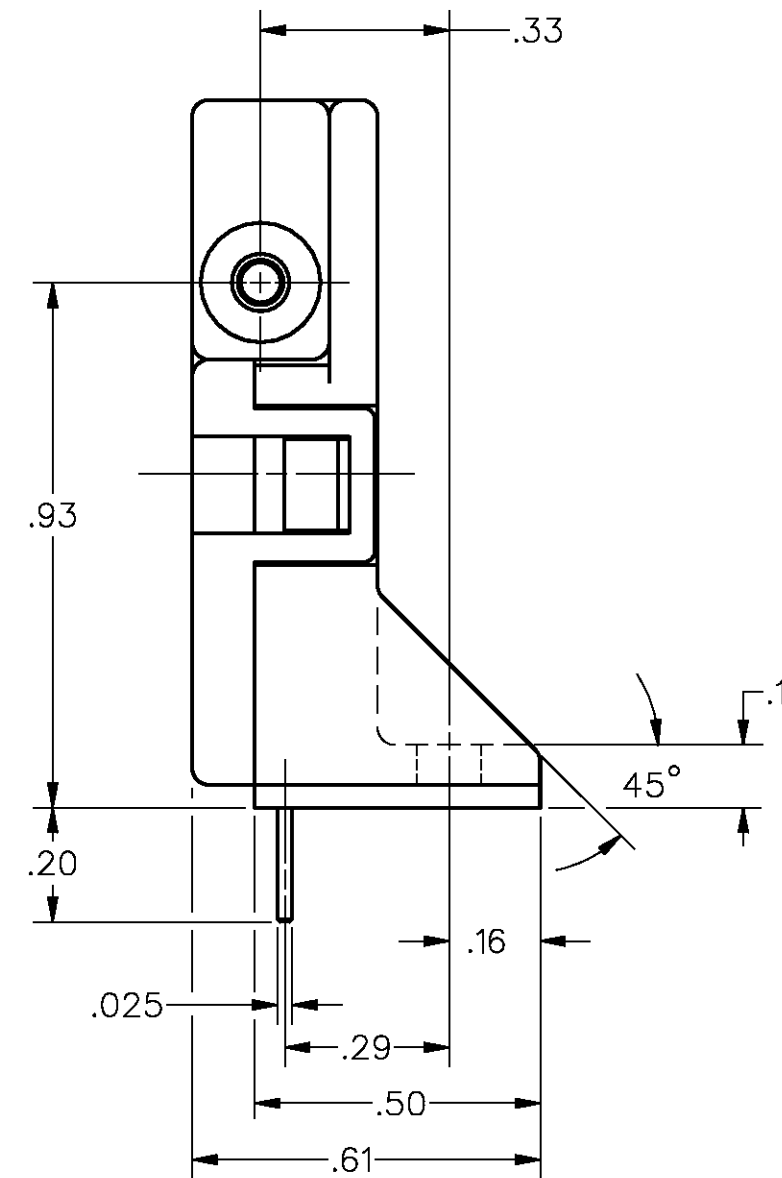
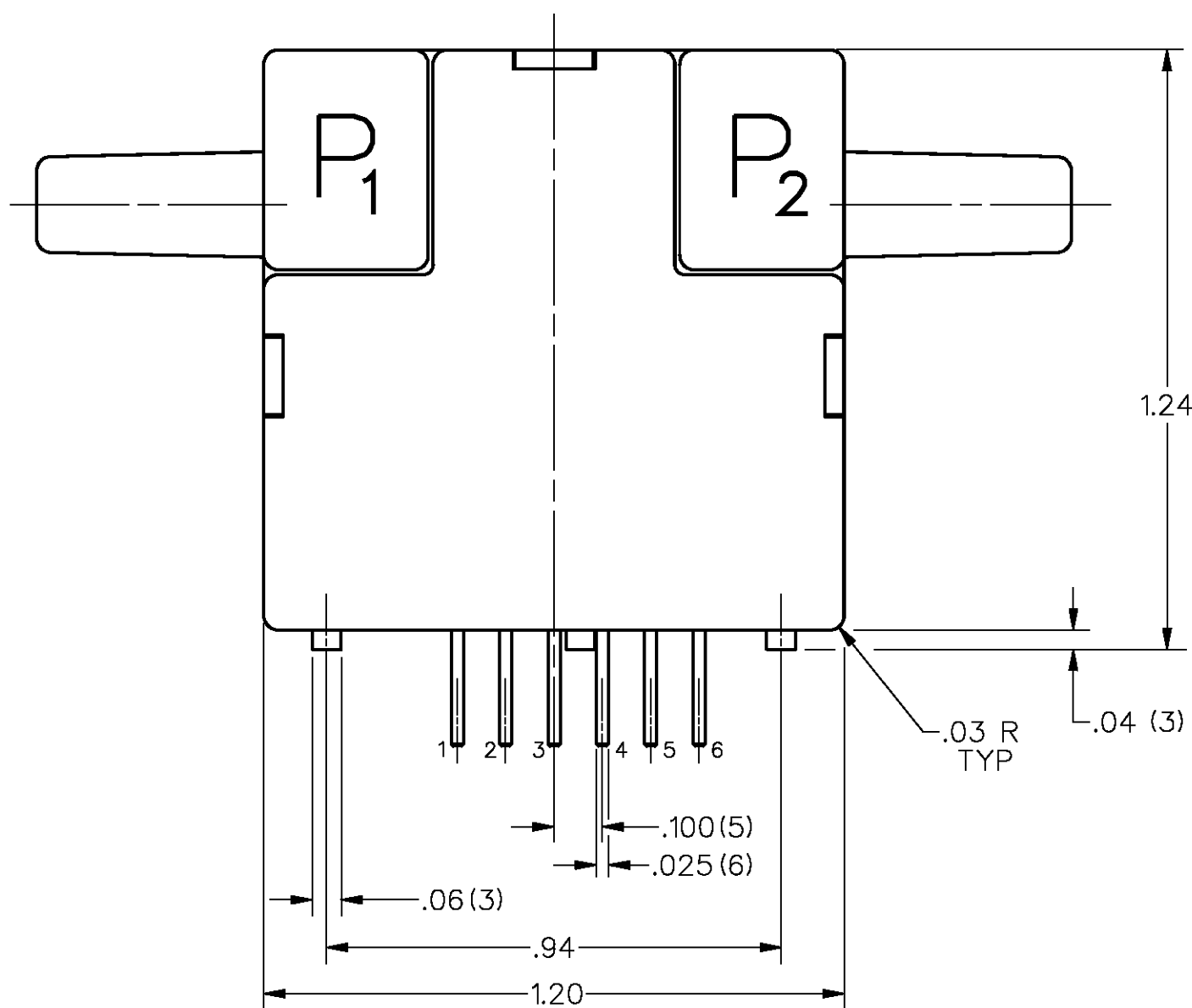
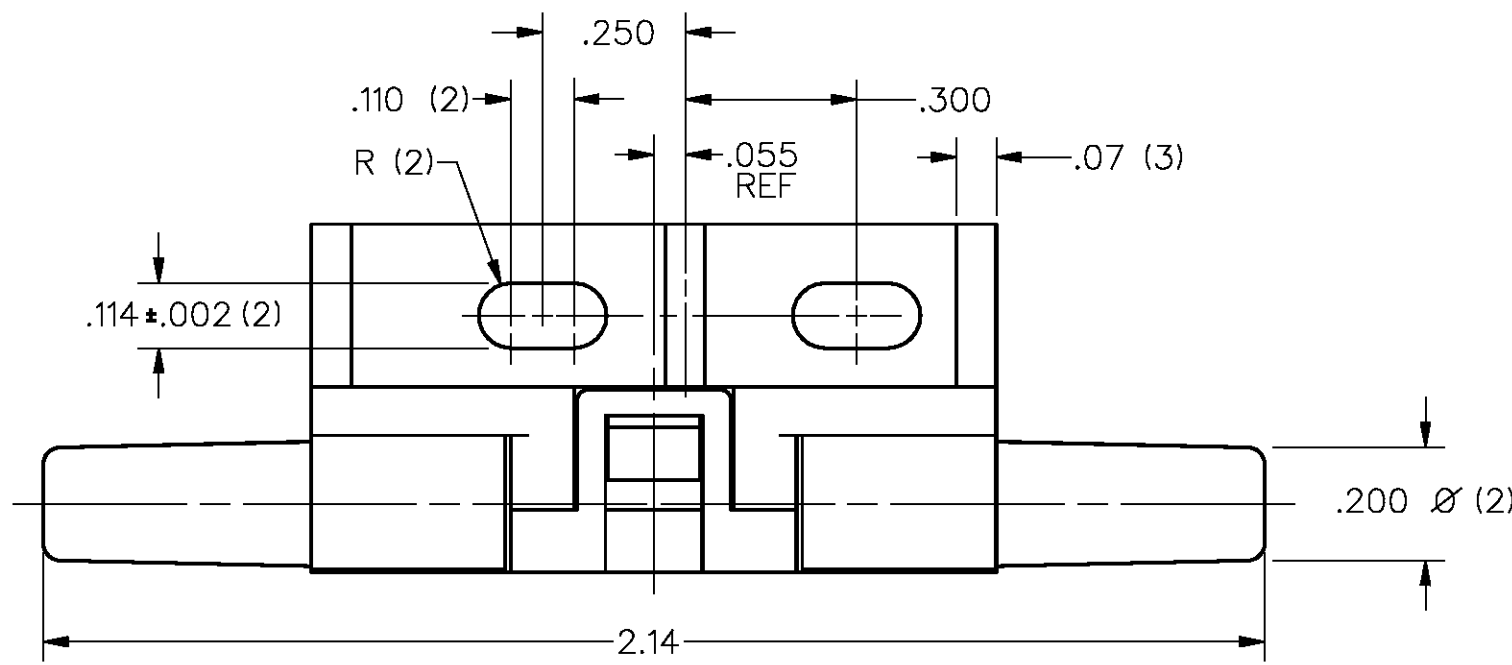
Jameco Part Number 1840263

AWM2300V  
OUTPUT FLOW VS. INTERCHANGEABILITY

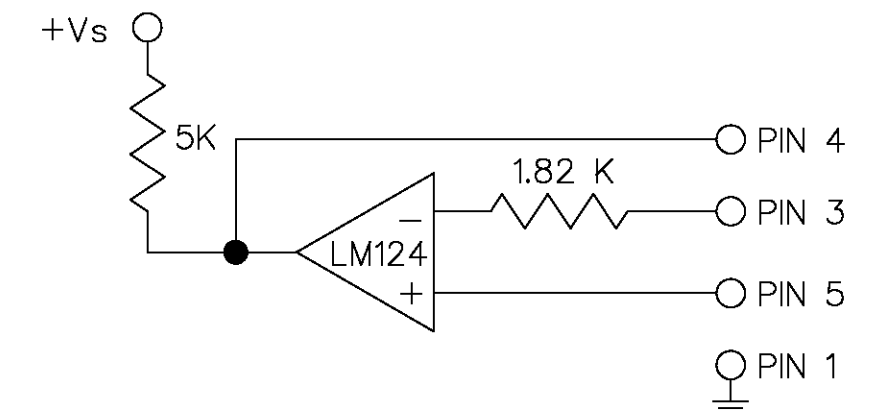
FLOW sccm	NOMINAL (mV)	TOL. (%mV)
1000	55.50	3.70
800	52.90	3.5
650	50.00	2.50
400	40.50	3.00
200	29.20	3.20
0	0.00	1.0
-200	-28.90	15.00
-400	-41.20	26.00
-600	-48.20	29.50
-800	-52.50	32.50
-1000	-55.00	36.00

SPECIFICATIONS:	AWM2300V
RECOMMENDED EXCITATION (USING TEST CIRCUIT) 8VDC MIN	10.00±.01VDC (15.00 VDC MAX)
POWER CONSUMPTION	30mW TYP
OUTPUT VOLTAGE TRIM POINT	50mV @ 650 sccm
NULL VOLTAGE	0.0±1.0mV
NULL VOLTAGE SHIFT (-25°C TO +85°C)	±.14mV TYP
OUTPUT VOLTAGE SHIFT (+25°C TO -25°C) (+25°C TO +85°C)	+5% READING MAX -5% READING MAX
REPEATABILITY & HYSTERESIS	±1.0% READING MAX
RESPONSE TIME	3.0 msec MAX
OPERATING TEMPERATURE RANGE	-25°C TO +85°C
STORAGE TEMPERATURE RANGE	-40°C TO +90°C
TERMINATION (ON .100 CENTERS)	0.025 SQ. IN.
WEIGHT	10.8 GRAMS
SHOCK RATING (5 DROPS, EACH OF 6 AXES)	100G PEAK
OVERPRESSURE	25 psi MAX
SENSOR RESISTANCE (PIN 2-PIN 1, PIN 6-PIN 1)	5 K-OHMS (TYP)
SENSOR CURRENT (PIN 2-PIN 1, PIN 6-PIN 1)	0.6 mA (MAX)

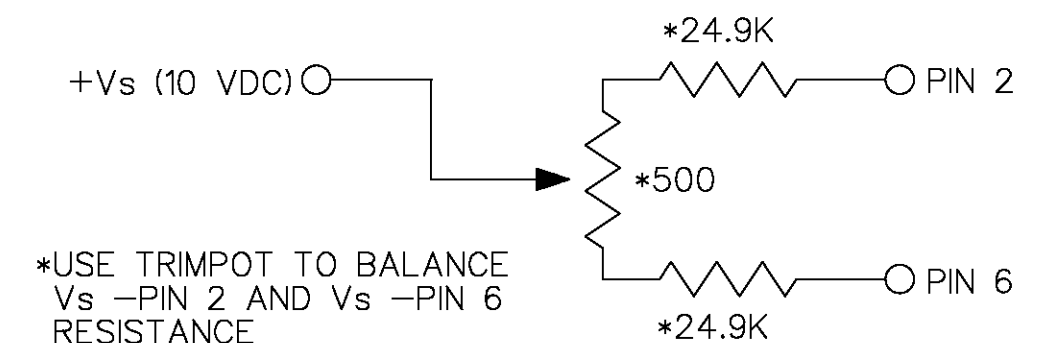
NOTES  
1 - POSITIVE FLOW DIRECTION IS DEFINED AS PROCEEDING FROM P1 TO P2 AND RESULTS IN POSITIVE OUTPUT (PIN 6 > PIN 2). NEGATIVE FLOW DIRECTION IS DEFINED CONVERSELY AND RESULTS IN NEGATIVE OUTPUT (PIN 6 < PIN 2)  
2 - LASER TRIMMED FOR 50.00mV AT 650 Sccm



HEATER CONTROL CIRCUIT



SENSING BRIDGE SUPPLY CIRCUIT



DRAWING NUMBER: AWM2300V  
 ISSUE: 7  
 REVISIONS:  
 A PR17967  
 B CO74438  
 C CO83279  
 D CO83694  
 E CO94375  
 F 201386  
 G 22 SEP 00  
 CHECK: J A S 11 JAN 90  
 RASTER DRAWN: J A S 12 OCT 88  
 RELEASE NO. PR-17967 REPLACES X87416-AW

MASTER REDUCED

THIS DRAWING COVERS A PROPRIETARY ITEM AND IS THE PROPERTY OF MICRO SWITCH, A DIVISION OF HONEYWELL. THIS DRAWING IS NOT TO BE COPIED OR USED WITHOUT THE APPROVAL OF MICRO SWITCH.

**MICRO SWITCH**  
a Honeywell Division

MASS AIRFLOW SENSOR  
(1000 Sccm)

CATALOG LISTING  
**AWM2300V**

FED. MFG. CODE 91929

THIRD ANGLE PROJECTION

SCALE 3 : 1

DO NOT SCALE PRINT

UNLESS OTHERWISE SPECIFIED TOLERANCES ARE

ONE PLACE (.0)	±.030
TWO PLACES (.00)	±.015
THREE PLACES (.000)	±.005
ANGLES	±

WEIGHT