

Distributed by:

JAMECO[®]
ELECTRONICS

www.Jameco.com ♦ 1-800-831-4242

The content and copyrights of the attached
material are the property of its owner.

Jameco Part Number 1845961



MICRO SWITCH

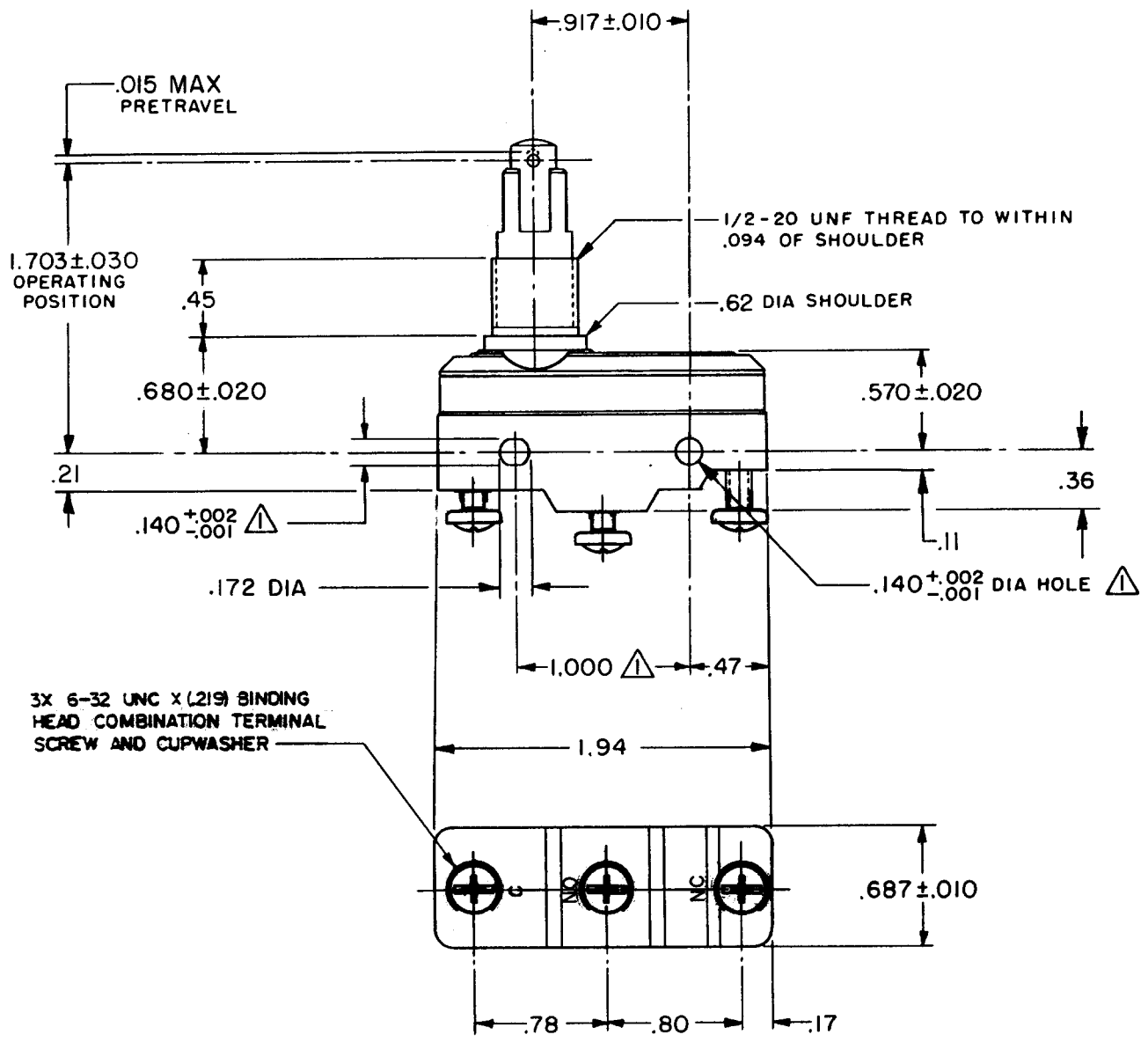
FREEPORT, ILLINOIS, U.S.A.
A DIVISION OF HONEYWELL

FED. MFG. CODE 91929

SWITCH - BASIC

CATALOG LISTING
BZ-2RQ69

BZ-2RQ69		REPLACES
PAGE 1 OF 1		
M	RELEASE NO.	
DRAWING NUMBER		
9		
ISSUE		
REVISIONS		
A	C017410	
LLD 16 APR 64		
B	C034353	
BEN 4 NOV 74		
C	C036099	
P 6 JUN 77		
D	CO-73287-D	
K D R 8 JULY 93		
E	CO-77592	
DAW 15 AUG 94		
F	C093346	
DLT 1 SEP 98		
FORMTEK	DRAWN	
FO-80378		
LLD 16 APR 64	CHECK	DAW
		17 APR 64



NOTE
 1 - MOUNTING HOLES WILL ACCEPT PINS OR SCREWS OF .139 MAX DIA ON 1.000±.002 CENTERS
 2 - THIS IS A REPLACEMENT TYPE SWITCH, .50 DIA ROLLER AND OTHER NECESSARY PARTS FURNISHED UNASSEMBLED AS A PACKET

THIS DRAWING COVERS A PROPRIETARY ITEM AND IS THE PROPERTY OF MICRO SWITCH, A DIVISION OF MINNEAPOLIS-HONEYWELL REGULATOR CO. THIS DRAWING IS NOT TO BE COPIED OR USED WITHOUT THE APPROVAL OF MICRO SWITCH.

CHARACTERISTICS	ELECTRICAL DATA	SCALE FULL
OPERATING FORCE ----- 9-13 OZ	CONTACT ARRANGEMENT S P D T	DO NOT SCALE PRINT
RELEASE FORCE ----- 4 OZ MIN	UL LISTED - FILE E12252 15A-125, 250 OR 480 VAC, 2A-600 VAC 1/8HP-125 VAC; 1/4HP-250 VAC CODE L74 1/2A-125 VDC; 1/4A-250 VDC	UNLESS OTHERWISE NOTED DIMENSIONS ARE IN INCHES
DIFFERENTIAL TRAVEL ---.0004-.0020	L288 L299 L306	TOLERANCES ARE: ONE PLACE (.0) ±.030 TWO PLACE (.00) ±.015 THREE PLACE (.000) ±.005 ANGLES ±
OVERTRAVEL ----- .141 MIN	16A 250V ~ T85 5E4	WEIGHT .138 LB