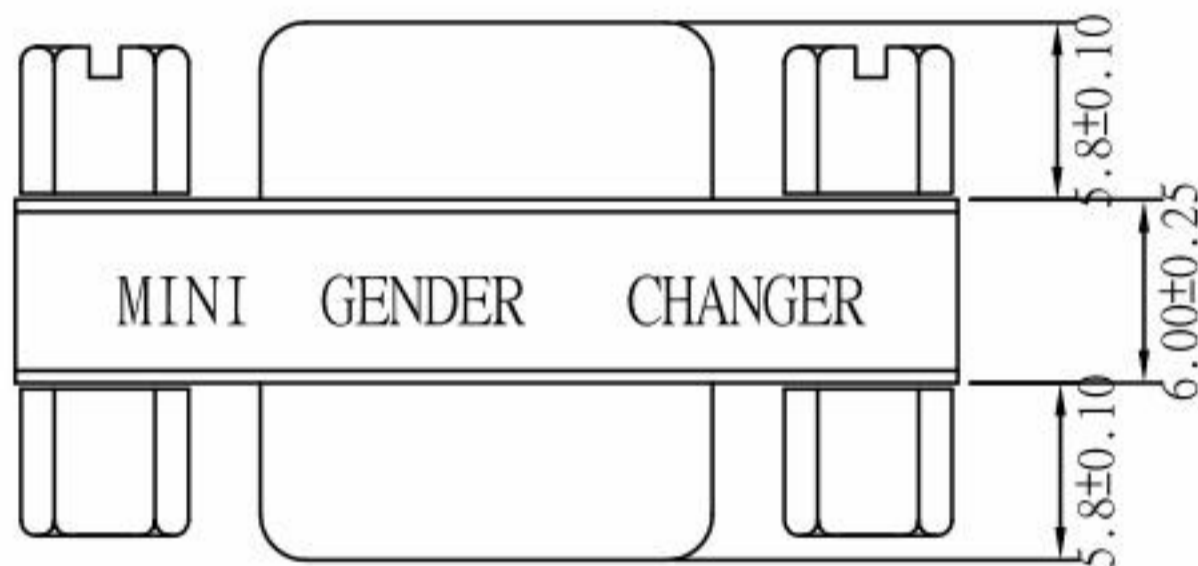
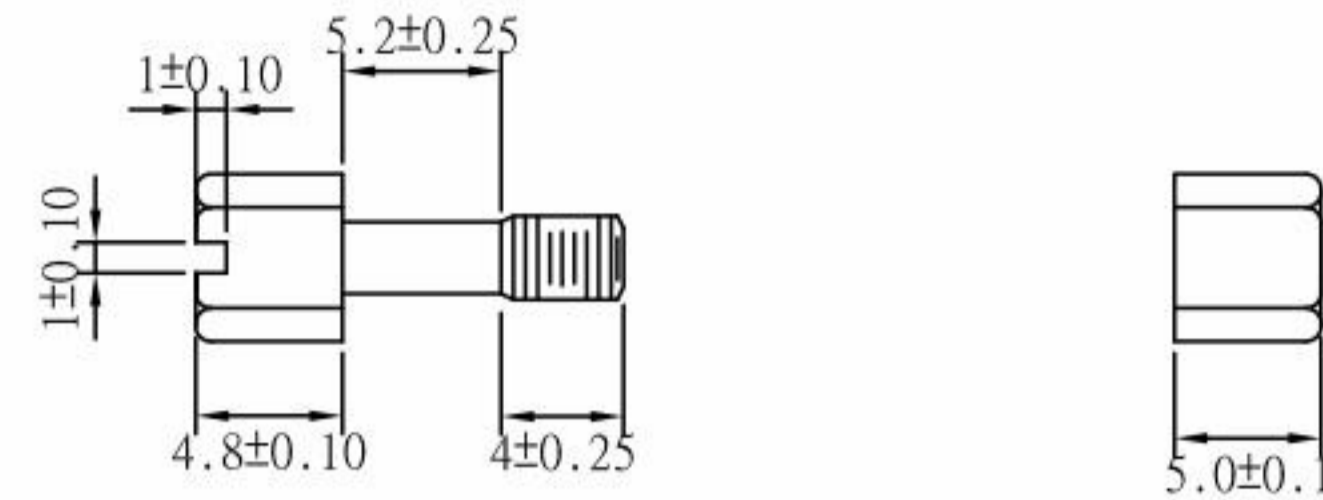


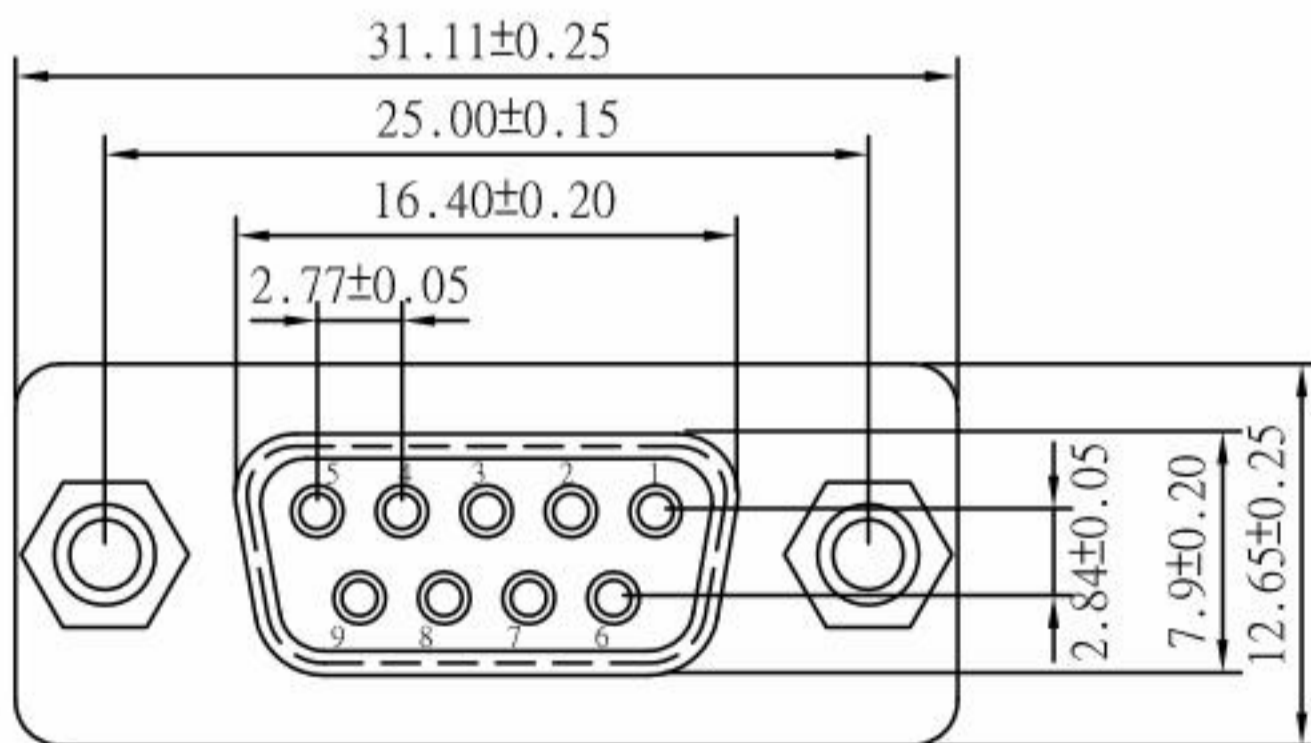
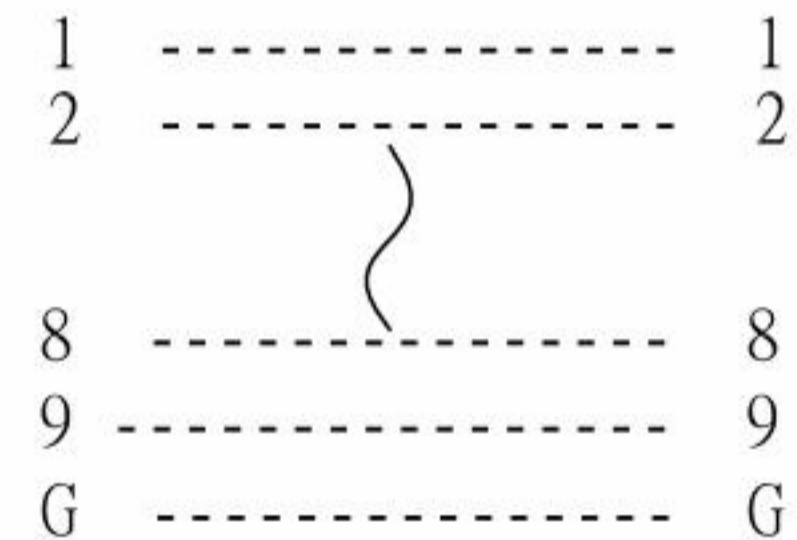
UNC #4-40 Hexscrew UNC #4-40 Hexnut



DGC 09 F/F GENDER CHANGER

PIN OUT: 9Female

9Female



Label: yellow color with black character

One side: MINI GENDER CHANGER

The other side: U.S.A. PATENT 5199906 GENDER CHANGER

SPECIFICATION

INSULATOR: PBT Glass fibre reinforced UL 94 V0(blue)

CONTACT: Brass

CONTACT PLATING: Gold plated over nickel

SHELL: Tin Plated Shell

				Edition A2	Top Willing Co., Ltd.			
				SCALE 2:1	UNLESS OTHER-WISE SPECIFIED TOLERANCE: 0.0: ±0.20 0.00: ±0.15 0.000: ±0.05	PART NO. DGC 09 FF 4B	DWG NO. TD0003-02	DATE 2011/11/01
				UNIT mm				
Customer	REVISION	DESCRIPTION	DATE	Page 1/1		DRAWN <i>huang.y</i>	CHECKED	APPRD