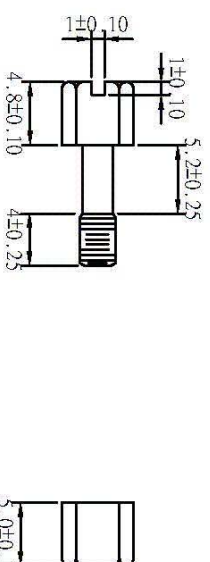
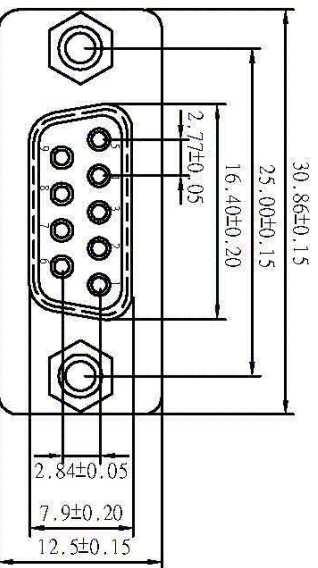
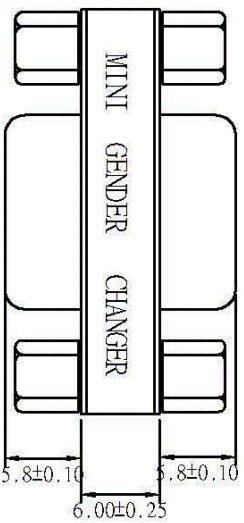
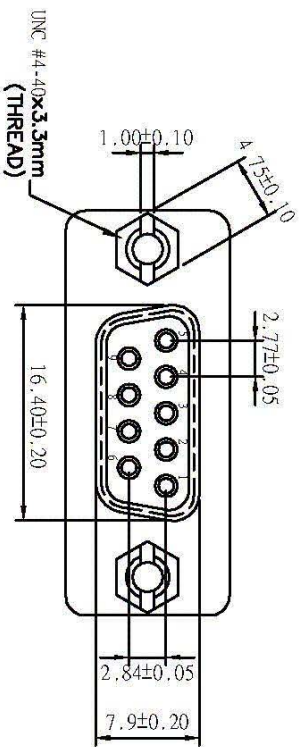
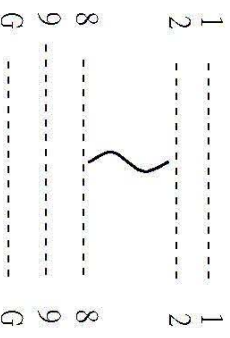


UNC #4-40 Hexscrew

UNC #4-40 Hexnut



DGC 09 F/F GENDER CHANGER  
PIN OUT: 9Female 9Female



Label: yellow color with black character  
One side: MINI GENDER CHANGER  
The other side: U.S.A. PATENT 5199906 GENDER CHANGER

SPECIFICATION  
INSULATOR: PBT Glass fibre reinforced UL 94 VO Blue  
CONTACT: Brass  
CONTACT PLATING: Gold plated over nickel  
SHELL: Tin Plated Shell  
CURRENT RATING: 3 AMP  
DIELECTRIC STRENGTH: 1000V AC for one minute  
INSULATOR RESISTANCE: 1000M  $\Omega$  min at 500V DC  
TEMPERATURE: -55°C—+105°C

NOTE: All relevant materials are complied with RoHS directive .

		Edition A0			
		SCALE 2:1			
		UNIT mm			
		Page 1/1			
Customer	REVISION	DESCRIPTION	DATE	Page	
		PART NO. DGC 09 FF		DWG NO. ZR0003	
		DRAWN <i>amyflur</i>		DATE 5/Dec-2006	
		CHECKED		APPRD	