

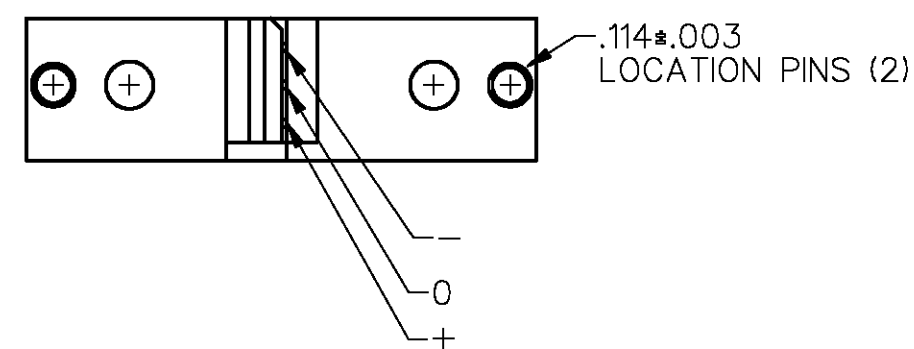
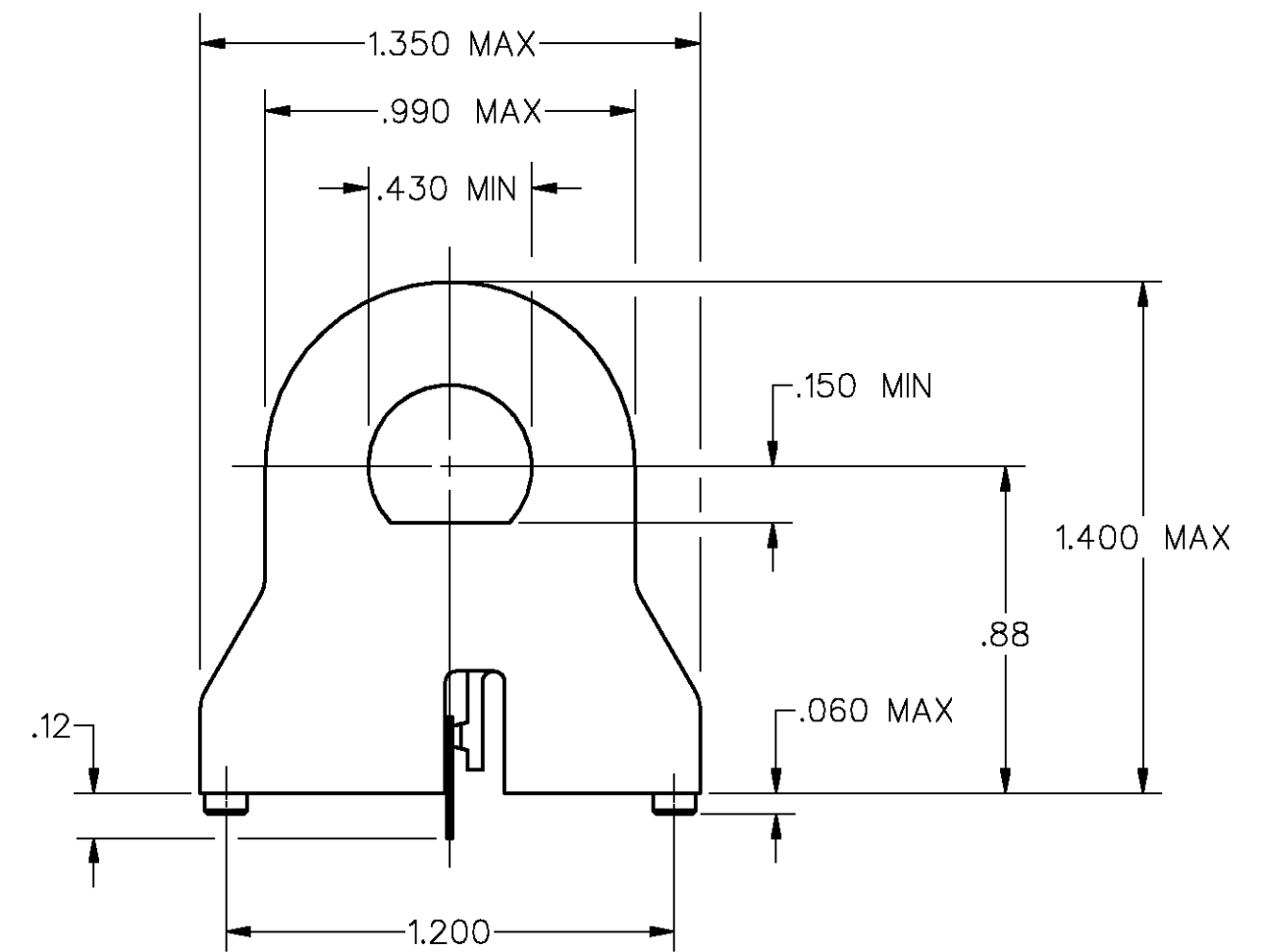
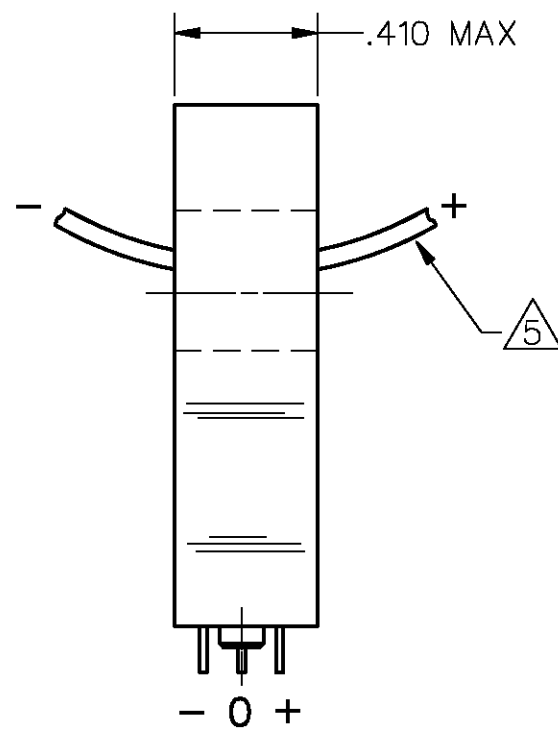
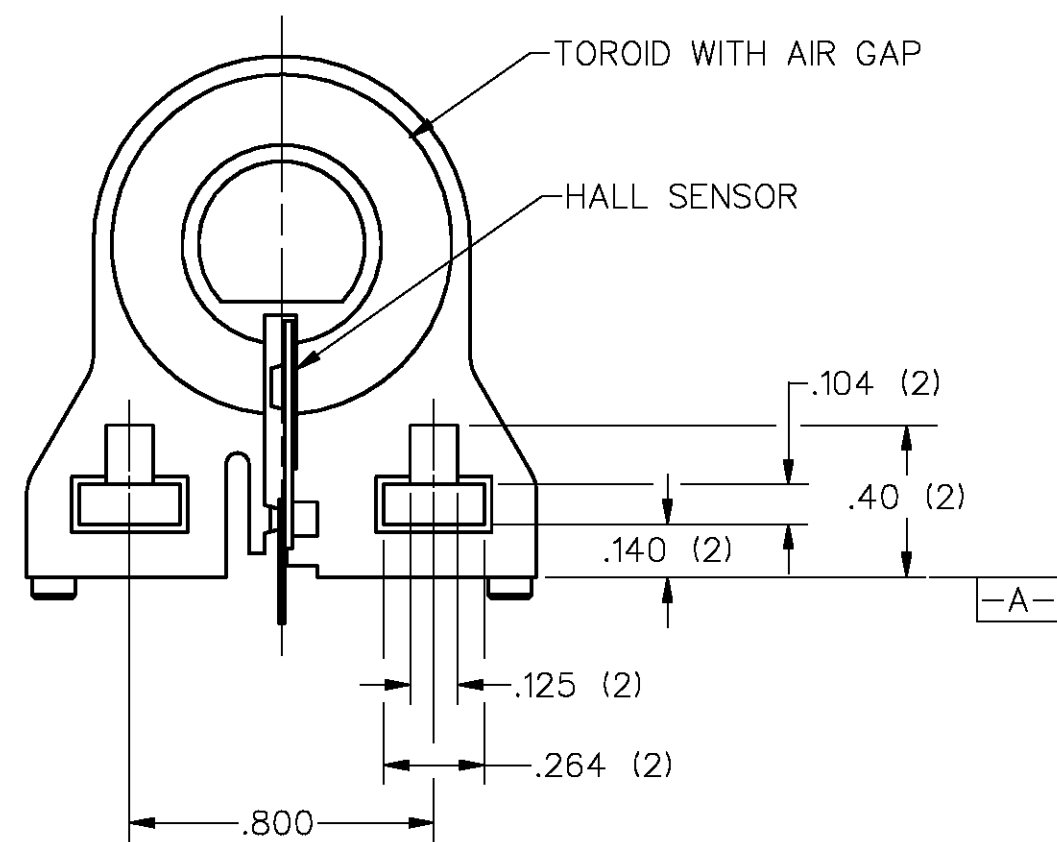
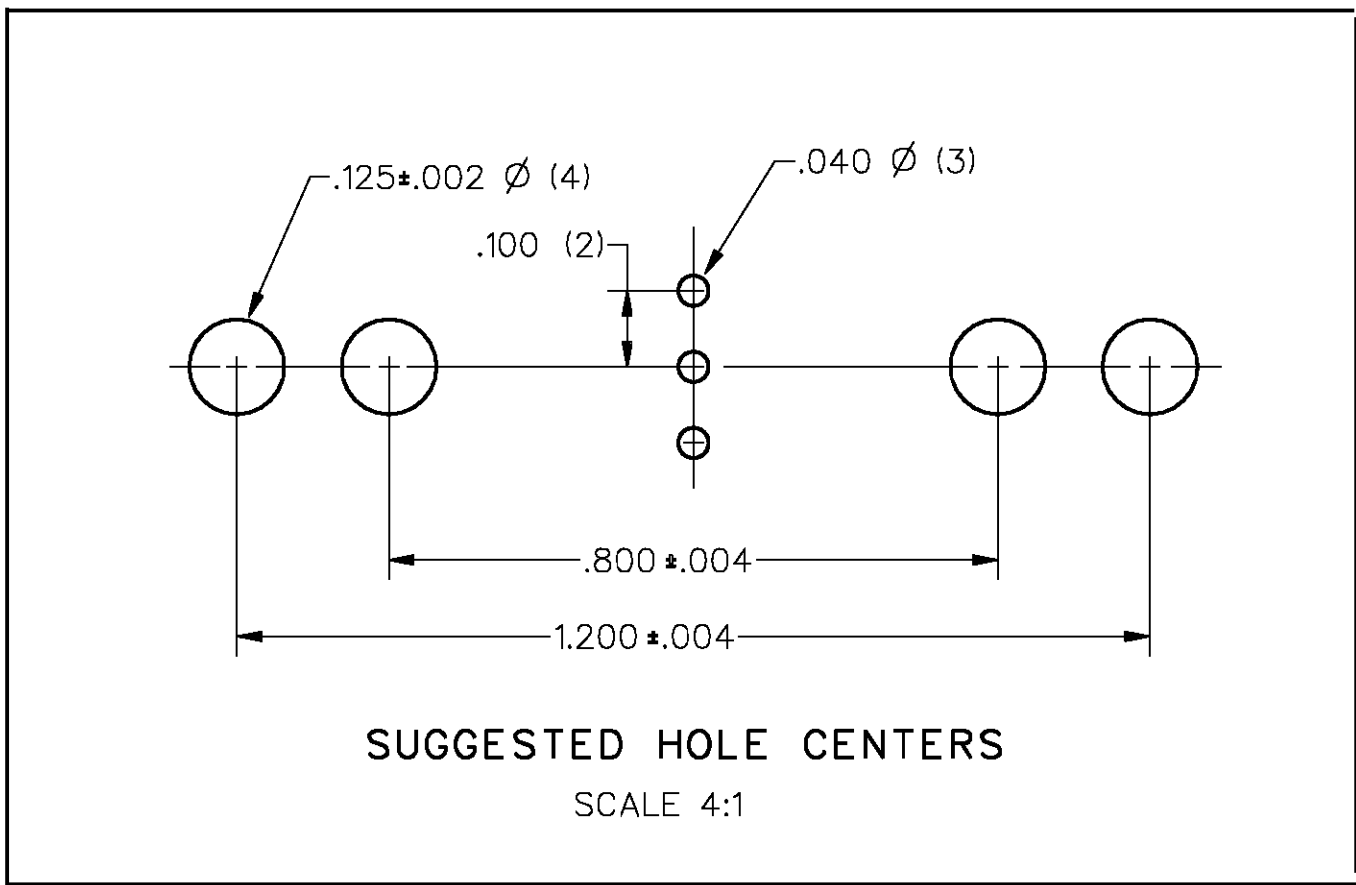
Distributed by:

JAMECO[®]
ELECTRONICS

www.Jameco.com ♦ 1-800-831-4242

The content and copyrights of the attached
material are the property of its owner.

Jameco Part Number 1851907



NOTES

- 1 - AIR GAP IN TOROID IS .094
 - 2 - GAUSS LEVEL IN AIR GAP IS 4.8 TO 5.5 GAUSS PER NI
 - 3 - RECOMMENDED MOUNTING IS 4-40 SQUARE NUT AND .375 LONG 4-40 SCREW
 - 4 - SEE 91SS12-2 FOR ELECTRICAL CHARACTERISTICS
- △ CONVENTIONAL CURRENT FLOW IN DIRECTION INDICATED WILL CAUSE AN INCREASE IN HALL VOLTAGE

DRAWING NUMBER: CSLA1CE
 ISSUE: 4
 CHECK: SAV
 DATE: 3 MAR 00
 CHECK: SAV
 DATE: 3 MAR 00
 RELEASE NO.: PR-13833
 REPLACES: X80546-CS

REVISIONS
 A CO-195704
 DLM
 3 MAR 00



MASTER REDUCED

THIS DRAWING COVERS A PROPRIETARY ITEM AND IS THE PROPERTY OF MICRO SWITCH, A DIVISION OF HONEYWELL. THIS DRAWING IS NOT TO BE COPIED OR USED WITHOUT THE APPROVAL OF MICRO SWITCH.

MICRO SWITCH
a Honeywell Division

FED. MFG. CODE 81828

CURRENT SENSOR

CATALOG LISTING
CSLA1CE

THIRD ANGLE PROJECTION		
SCALE 2:1		
DO NOT SCALE PRINT		
UNLESS OTHERWISE SPECIFIED TOLERANCES ARE		
NO PLACE	(0)	± 1 mm
ONE PLACE	(0.0)	± 0.4 mm
TWO PLACE	(0.00)	± 0.15 mm
ANGLES		±
WEIGHT		