

Tous droits strictement réservés. Reproduction ou communication à des fins interdite sans gréage forme que ce soit sans autorisation écrite du propriétaire. Propriété de A FCI.

A FCI

All rights strictly reserved. Reproduction or issue in third parties in any form whatever is not permitted without written authority from the proprietor. Property of FCI. Copyright FCI.

REFERENCE SPECIFICATIONS

- DIN 41652
- MIL-DTL-24308

PHYSICAL CHARACTERISTICS

- INSULATOR MATERIAL:
- PBT COLOR BLACK-RAL 7001/STANDARD MATERIAL
- CONTACT MATERIAL: - PHOSPHOR BRONZE FOR STRAIGHT CONTACT AND RA SOCKET
- BRASS FOR RA PIN
- GROUNDING DEVICE MATERIAL : - BRASS FOR RIGHT ANGLE CONTACT

ELECTRICAL CHARACTERISTICS

- MAXIMUM RATING CURRENT: 5A AT 70°C
- NOMINAL CURRENT: 5A (STANDARD CONDITIONS)
- CONTACT RESISTANCE : straight terminations: <10mΩ
- Right angled termination: <25mΩ
: <35mΩ for 50 way
- VOLTAGE PROOF : >1000 V.r.m.s.
- RATED VOLTAGE : 300 V.r.m.s.
- insulation resistance: >5000mΩ
- creepage and clearance distance: >1mm
- average wiping length: 2mm

MECHANICAL CHARACTERISTICS

- RETENTION AGAINST TORQUE: - Threaded insert: 0.7 N.m minimum
- Female screw lock: 0.5 N.m minimum
- INSERTION AND WITH DRAWAL FORCE: <n x 3.40 N (n number of cts)
- GAUGE RETENTION FORCE : >0.20 N (gauge PM)
- THICKNESS GAUGE = $\varnothing 0.99 \pm 0.005$ / SURFACE ROUGHNESS:
• Ra=0.10µ mini- 0.25µ maxi
- CONTACT RETENTION IN INSULATOR : mini 16N for straight contact
mini 20N for right angled contact
- VIBRATIONS: 10-2000Hz / 1.5 mm - 20g / 3 x 2 HRS
- INTERRUPTION <1µs (NOT APPLICABLE FOR PL3)
- SHOCK: ACC. HALF SINE 50g- 11m.s-6x3 SHOCKS
- INTERRUPTION <1µs
- HARPOON INSERTION FORCE: <60N

PERFORMANCE LEVELS

MECHANICAL ENDURANCE ONLY		
P/N: DXXXXCXXXXXX	PERFORMANCE LEVELS	
4	200 OPERATIONS	PL3
6	400 OPERATIONS	PL1

MECHANICAL ENDURANCE AND INDUSTRIAL ATMOSPHERE TEST(1)		
P/N: DXXXXCXXXXXX	PERFORMANCE LEVELS	
4	salt spray: 24 hours	PL3
6	250 op + test (1 or 2)-10 days + 250 op	PL1

1) INDUSTRIAL ATMOSPHERE TEST: 3 GASES available for contacts and grounding device

IN ACCORDANCE WITH IEC-68-2-60-TTD - TEST ke - MTH C OR IEC 512-6 TEST 11g

MIXED GASES: H2S=10 PPB±5.10-9vol/vol +N2O=200±50.10-9 vol/vol + CL2=10±5.10-9vol/vol

TEMPERATURE = 30±1°C / RELATIVE HUMIDITY= 70±3°C

(2) INDUSTRIAL ATMOSPHERE TEST: 4 GASES available for contacts active area only

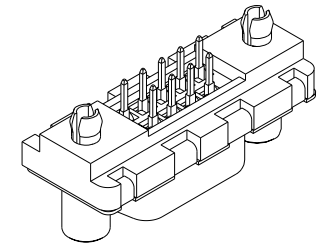
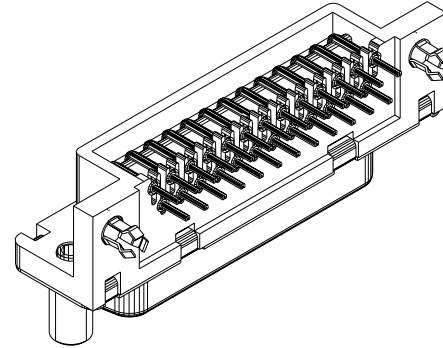
BELCORE TEST : MIXED GASES: H2S=10 PPB±5 vol/vol +N2O=200ppb±50 vol/vol + CL2 =10ppb±3vol/vol + S2O=100ppb±30vol/vol
TEMPERATURE = 30±1°C / RELATIVE HUMIDITY= 70±2°C

ENVIRONMENTAL CHARACTERISTICS

- CLIMATIC CATEGORY: 55/125/56
- TEMPERATURE RANGE -55°C TO +125°C
- DAMP HEAT STEADY STATE 56 DAYS

RIGHT ANGLED

STRAIGHT



PLATING TIN LEAD VERSION

- CONTACT: - GOLD OVER NICKEL ON MATING SURFACES
- TIN LEAD OVER NICKEL ON TERMINATION PARTS
- SHELL AND ACCESSORIES TIN LEAD OVER COPPER

PLATING TIN VERSION

NOTE RoHS INFORMATIONS

- The "LF" products meet European union Directives and other country regulations as described in GS-22-008
- The housing will withstand exposure to 260°C peak temperature for 3.5 seconds in a wave solder application with a 1.6 mm minimum thickcircuit board. See application notes/procedures if they are available.
- Termination plating spec: 1.27µ Nickel mini, 2.5 to 7.5 µm Sn (pure matte)
- Shell plating: 2 to 4 µm Cu + 3 to 10 µ Sn (pure bright)
- Accessories: Sn pure bright
- Packaging spec: see GS-14-920

A FCI		www.fciconnect.com		surface	tolerance	projection		
Dr	JOUBERT	30/11/00	Product family		size	A3	Scale	1:1
Eng			Spec ref					
Chr			Material	SEE NOTES	ECN	LS05-0039		
Appr	LEGARE	30/11/00						
title			DELTA D SOLDER CTS CONNECTORS			dwg no		
description			GENERAL CHARACTERISTICS			C01-8646-0000		
catalog no			CUSTOMER COPY			sheet 1 of 1		

Mouser Electronics

Authorized Distributor

Click to View Pricing, Inventory, Delivery & Lifecycle Information:

FCI:

[D37S24A6GV00LF](#) [D37P24B6GV00LF](#) [D09P24A4GL00LF](#) [D09P24A4GV00LF](#) [D09P24A4GX00LF](#)
[D09P24A4PA00LF](#) [D09P24A4PL00LF](#) [D09P24A6GL00LF](#) [D09P24A6GV00LF](#) [D09P24A6GX00LF](#)
[D09P24A6PA00LF](#) [D09P24A6PV00LF](#) [D09P24A6PX00LF](#) [D09P24B4GL00LF](#) [D09P24B4GV00LF](#)
[D09P24B4GX00LF](#) [D09P24B4PA00LF](#) [D09P24B6GV00LF](#) [D09P24B6GX00LF](#) [D09P24B6PA00LF](#)
[D09S24A4GL00LF](#) [D09S24A4GV00LF](#) [D09S24A4GX00LF](#) [D09S24A4PL00LF](#) [D09S24A4PV00LF](#)
[D09S24A4PX00LF](#) [D09S24A6GL00LF](#) [D09S24A6GV00LF](#) [D09S24A6GX00LF](#) [D09S24A6PA00LF](#)
[D09S24B4GL00LF](#) [D09S24B4GV00LF](#) [D09S24B4GX00LF](#) [D09S24B4PA00LF](#) [D09S24B6GL00LF](#)
[D09S24B6GV00LF](#) [D09S24B6GX00LF](#) [D09S24B6PA00LF](#) [D15P24A4GL00LF](#) [D15P24A4GV00LF](#)
[D15P24A4GX00LF](#) [D15P24A4PA00LF](#) [D15P24A4PL00LF](#) [D15P24A6GL00LF](#) [D15P24A6GV00LF](#)
[D15P24A6GX00LF](#) [D15P24A6PA00LF](#) [D15P24B4GV00LF](#) [D15P24B4GX00LF](#) [D15P24B4PA00LF](#)
[D15P24B6GV00LF](#) [D15P24B6GX00LF](#) [D15P24B6PA00LF](#) [D15S24A4GL00LF](#) [D15S24A4GV00LF](#)
[D15S24A4GX00LF](#) [D15S24A4PA00LF](#) [D15S24A4PL00LF](#) [D15S24A6GL00LF](#) [D15S24A6GV00LF](#)
[D15S24A6GX00LF](#) [D15S24A6PA00LF](#) [D15S24A6PX00LF](#) [D15S24B4GL00LF](#) [D15S24B4GV00LF](#)
[D15S24B4GX00LF](#) [D15S24B4PA00LF](#) [D15S24B6GL00LF](#) [D15S24B6GV00LF](#) [D15S24B6GX00LF](#)
[D15S24B6PA00LF](#) [D25P24A4GL00LF](#) [D25P24A4GV00LF](#) [D25P24A4GX00LF](#) [D25P24A4PL00LF](#)
[D25P24A4PX00LF](#) [D25P24A6GL00LF](#) [D25P24A6GV00LF](#) [D25P24A6GX00LF](#) [D25P24A6PA00LF](#)
[D25P24B4GV00LF](#) [D25P24B4GX00LF](#) [D25P24B4PA00LF](#) [D25P24B6GL00LF](#) [D25P24B6GV00LF](#)
[D25P24B6PA00LF](#) [D25S24A4GL00LF](#) [D25S24A4GV00LF](#) [D25S24A4PA00LF](#) [D25S24A4PL00LF](#)
[D25S24A4PV00LF](#) [D25S24A4PX00LF](#) [D25S24A6GL00LF](#) [D25S24A6GV00LF](#) [D25S24A6GX00LF](#)
[D25S24A6PA00LF](#) [D25S24A6PX00LF](#) [D25S24B4GV00LF](#) [D25S24B4GX00LF](#) [D25S24B4PA00LF](#)