

Distributed by:

JAMECO[®]
ELECTRONICS

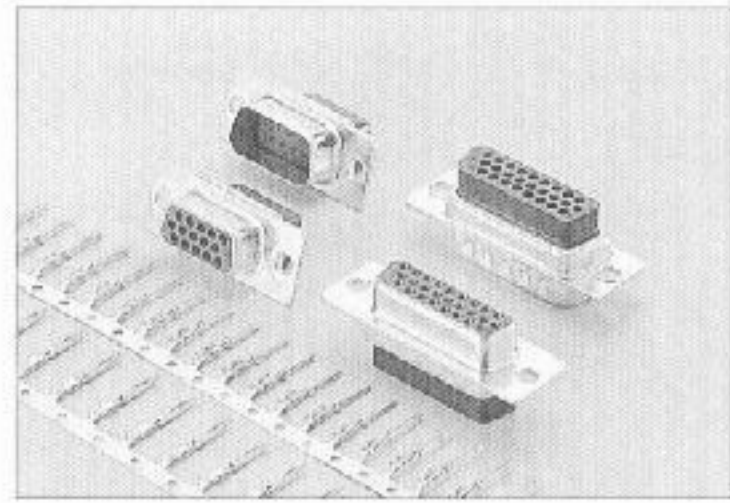
www.Jameco.com ♦ 1-800-831-4242

The content and copyrights of the attached
material are the property of its owner.

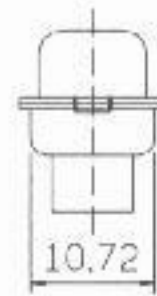
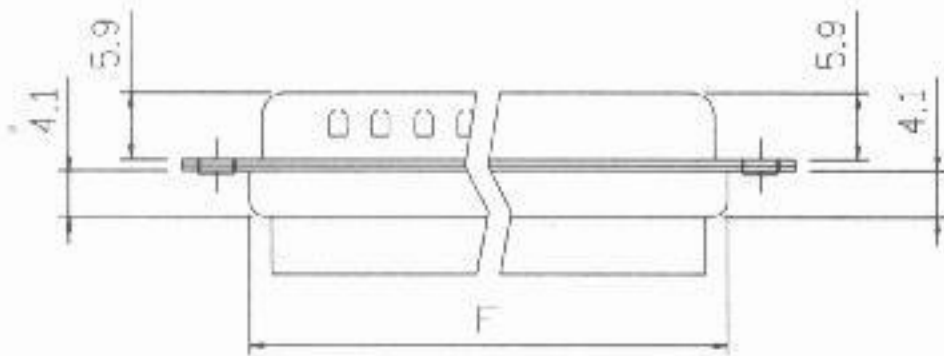
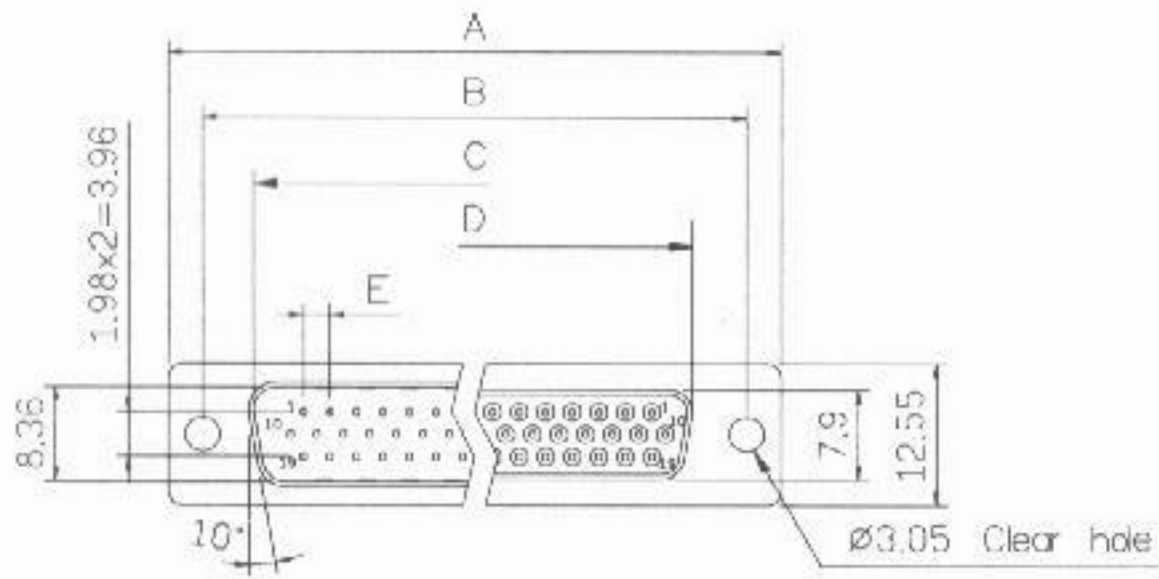
Jameco Part Number 185421

1006 Series

D-SUB H.D. Crimp Type

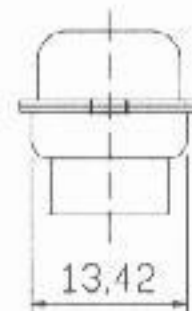
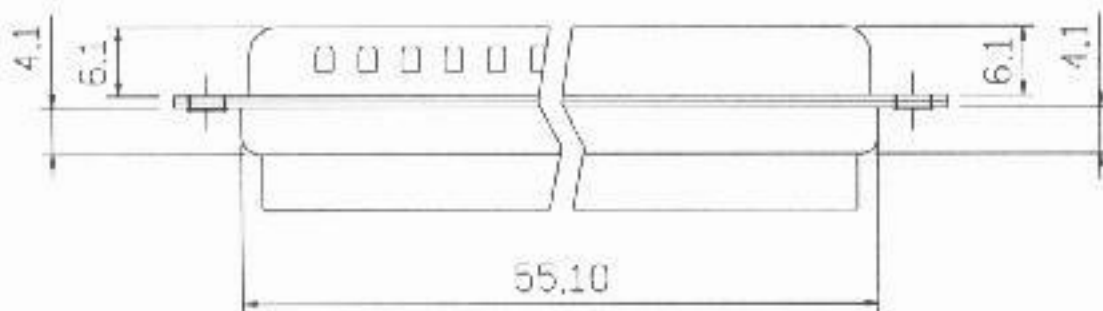
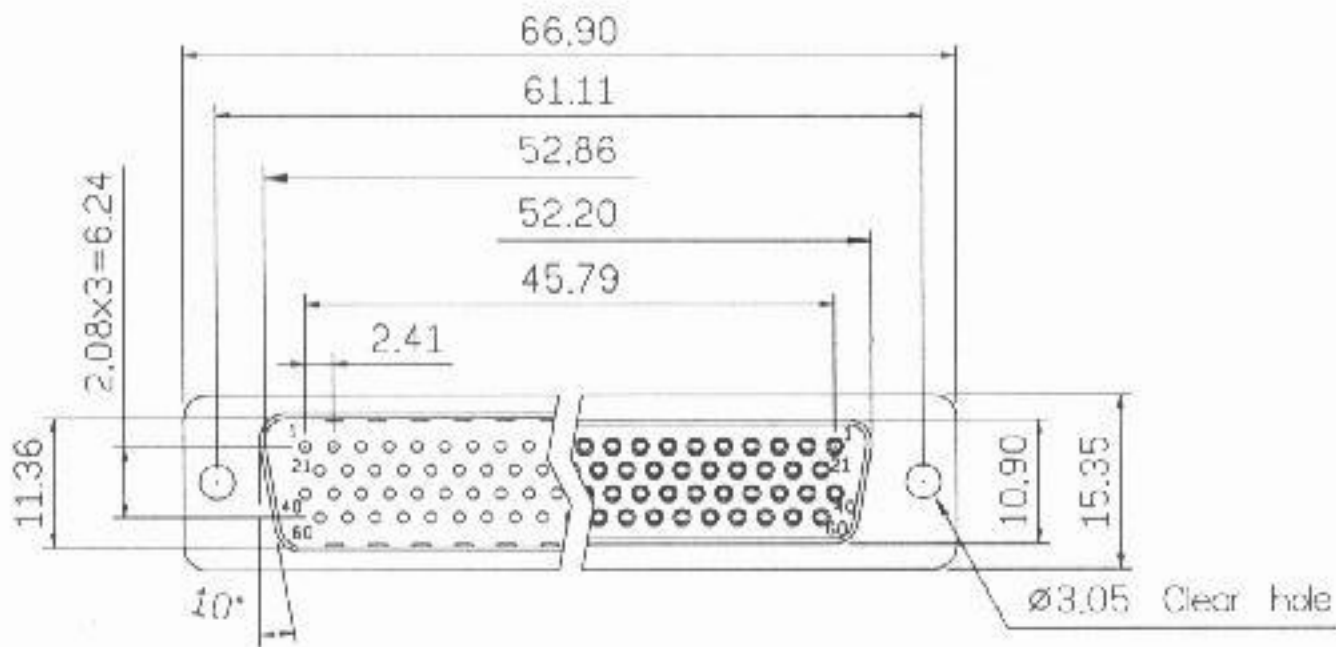


(ROHS)

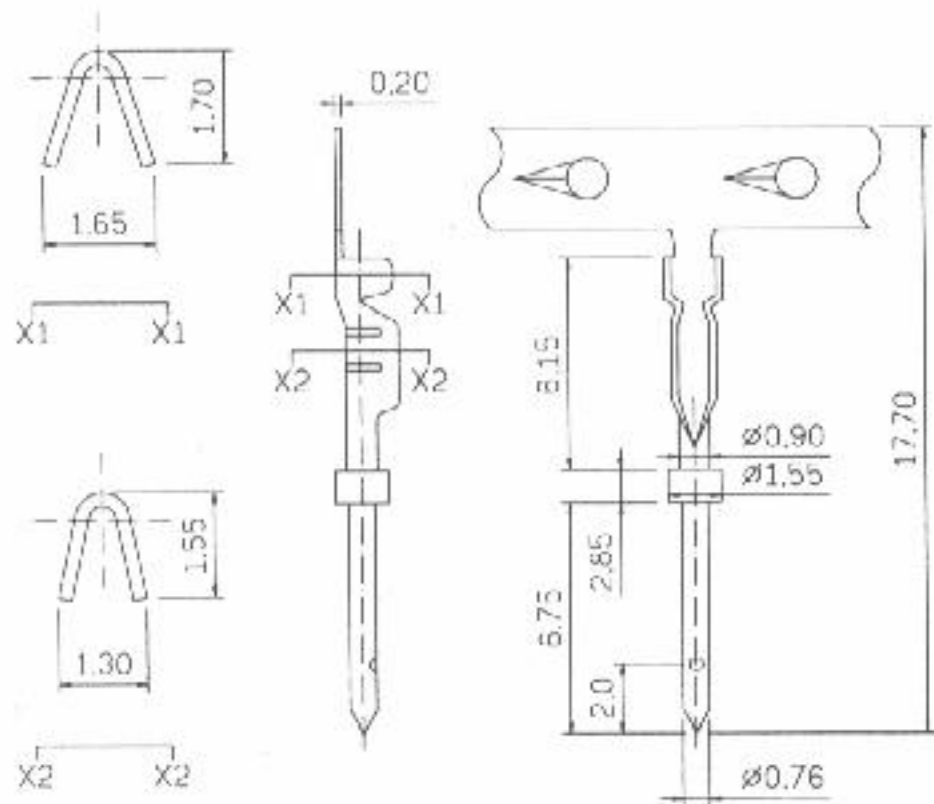


Dimensions

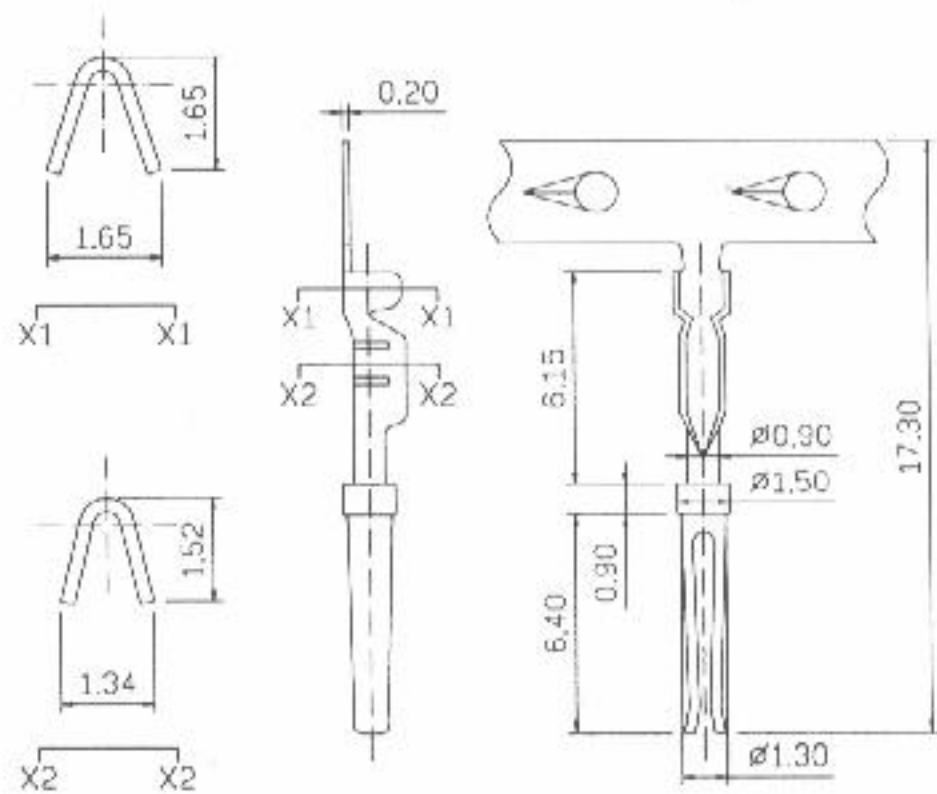
Positions	A	B	C	D	E	F
15	30.81	24.99	16.92	16.33	2.29	19.20
26	39.14	33.32	25.50	24.66	2.29	27.70
44	53.04	47.04	38.96	38.38	2.29	41.10
62	69.32	63.50	55.42	54.84	2.41	57.30



78 Positions



0.76 Crimp Pin Male



0.76 Crimp Pin Female

Product Specification

Material

Insulator : Glass-Filled Thermoplastic
PBT,UL94V-0 rated

Shell : Steel, 100u" Tin Over 50u" min
Nickel.

Clinch Nut: Brass, 100u" min Nickel
Plated.

Screwlock : Brass, 100u" min Nickel
Plated.

Electrical

Insulation Resistance : 1000
megohms at 500 VDC

Dielectric Withstanding Voltage :
1000 VAC/rms 60Hz for 1 minute