

Distributed by:

JAMECO[®]
ELECTRONICS

www.Jameco.com ♦ 1-800-831-4242

The content and copyrights of the attached
material are the property of its owner.

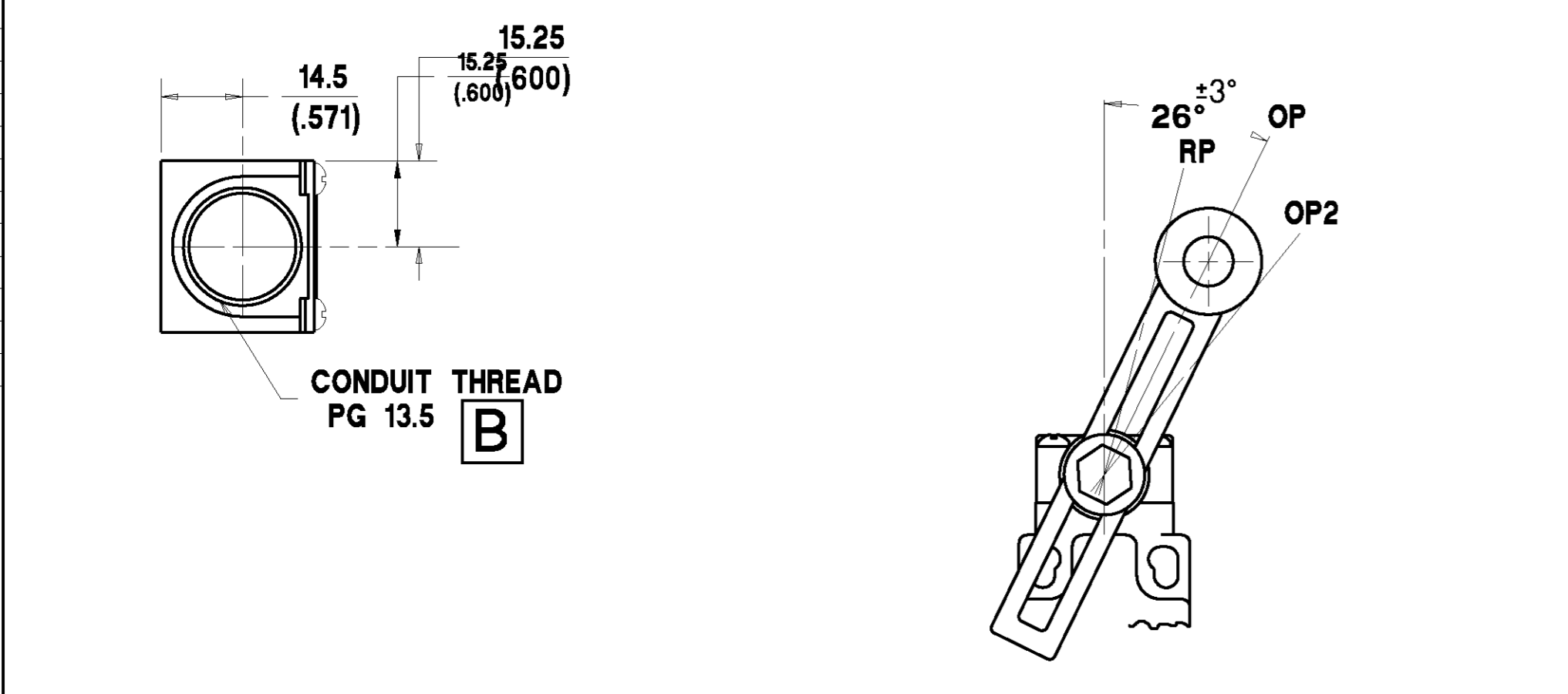
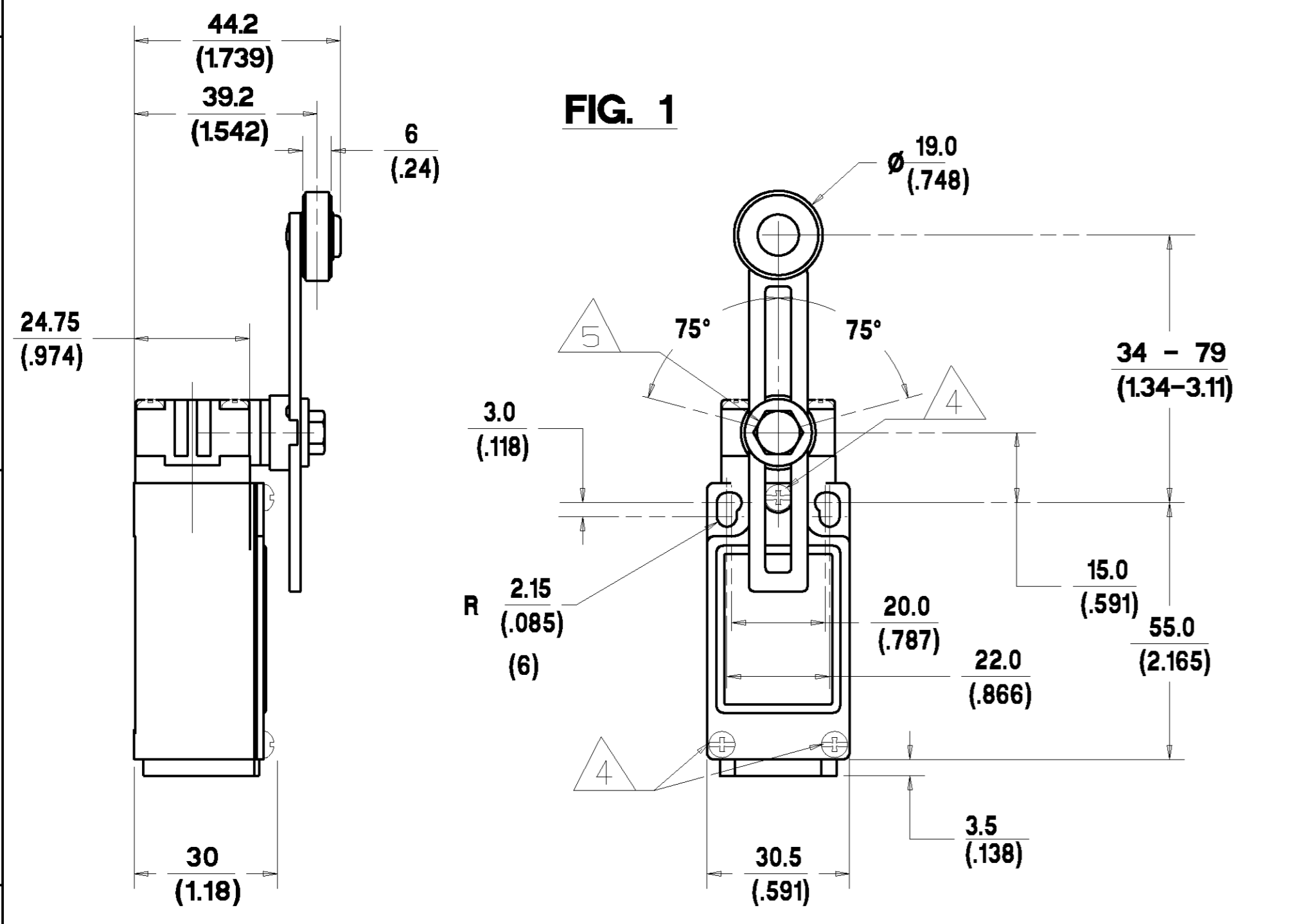
Jameco Part Number 1855705

MTG-GL-191
REPLACES
DRAWING NUMBER
AO1B-185

ISSUE
6

REVISIONS
2 7/96
AO1B-262
3 12/96
AO1B-293
4 7/97
CO-000083
5 8/97
CO-000106
6 CO/395
I WEIR 6/98

Honeywell **LIMIT SWITCH** **GLS**
CATALOGUE LISTING
CHART NO. **MTG-GL-191**

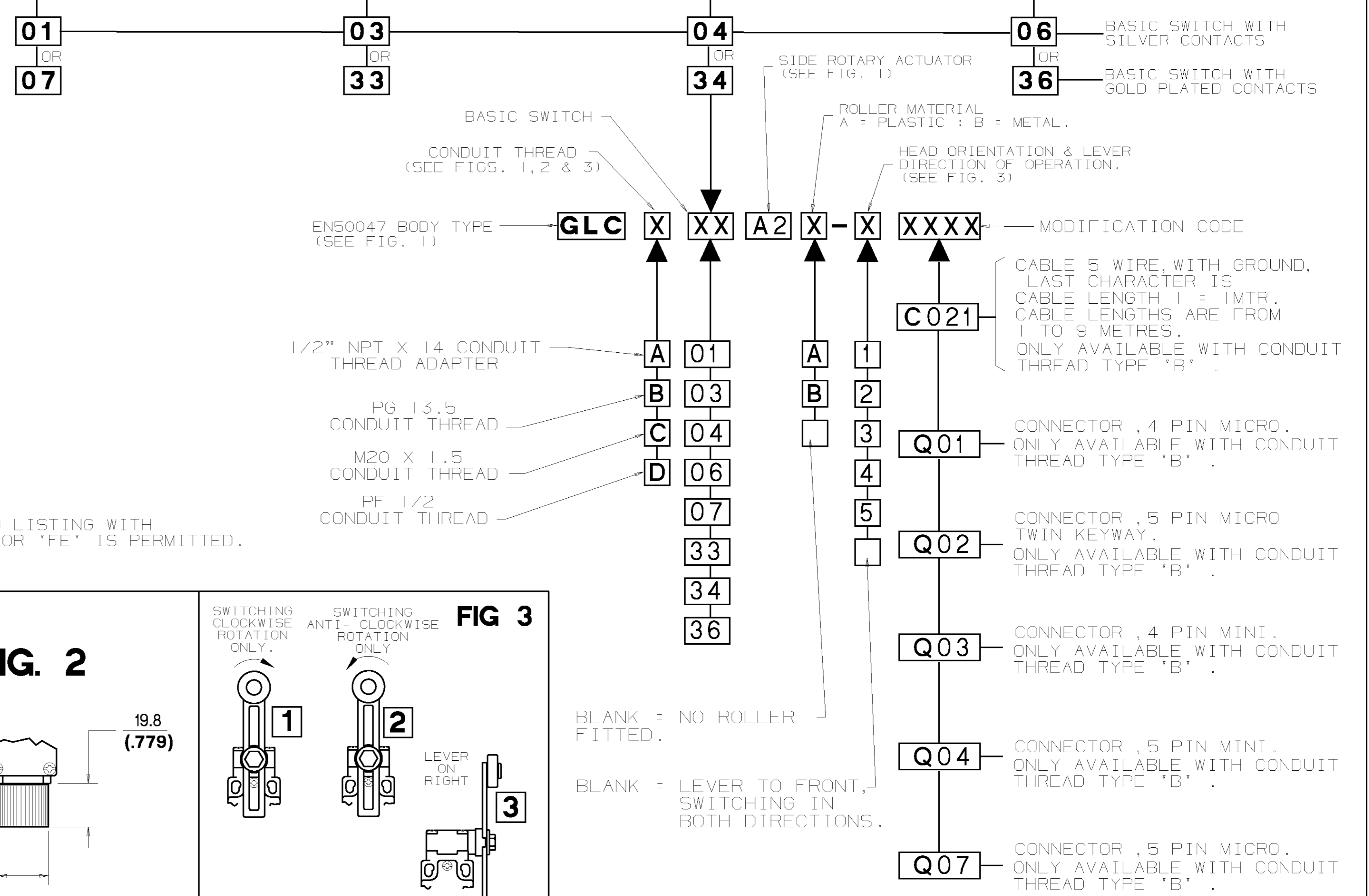


NOTES:-

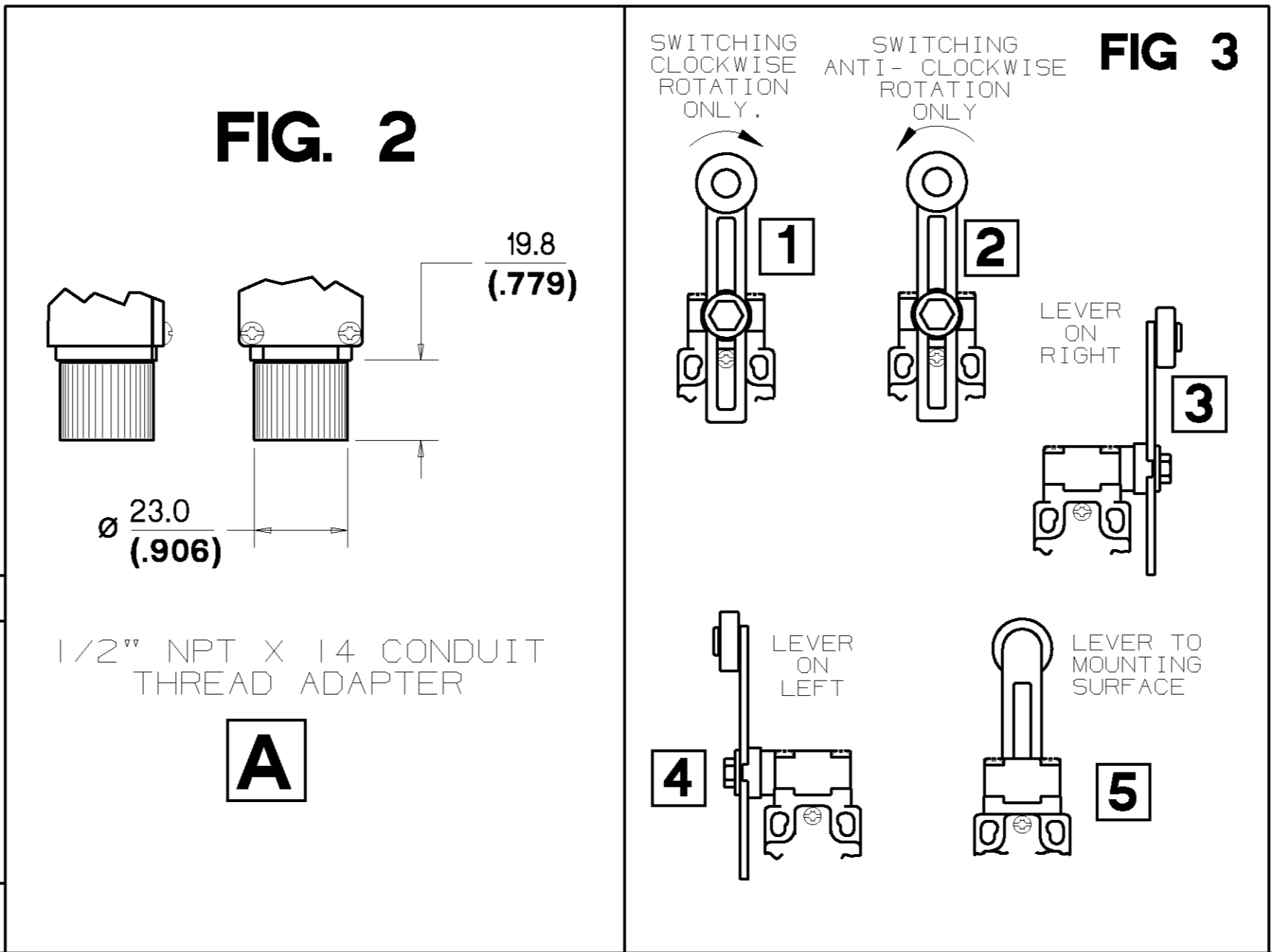
- ZINC DIECAST BODY AND HEAD WITH STEEL COVER. BODY AND COVER FINISHED IN MICRO SWITCH BLUE EPOXY PAINT. HEAD FINISHED IN BLACK EPOXY PAINT.
- MINIMUM OPERATING VELOCITY (Vmin) = 0.26 rad/s
MAXIMUM OPERATING VELOCITY (Vmax) = 25 rad/s
MAXIMUM OPERATING FREQUENCY (Fmax) = 250 OPS/MIN
- FREE POSITION (FP), OPERATING POINT (OP), OVERTRAVEL (OT) AND PRETRAVEL (PT) ALL TO EN50047.
- MAXIMUM TIGHTENING TORQUE FOR FIXING SCREW = 0.5Nm (4.4in.LB)
- MAXIMUM TIGHTENING TORQUE FOR FIXING SCREW = 0.8Nm (7in.LB)

NO CHANGES CAN BE MADE TO THIS DRAWING WITHOUT JOINT NEWHOUSE/FREEPORT APPROVAL

CONTACT BLOCK DIAGRAM TERMINAL DESIGNATION TO EN 50013	NOMINAL TRAVELS AND RELATED TERMINALS	NORMAL OPERATING TORQUE MAX	MAXIMUM DISCONNECT TORQUE
SNAP-ACTION CONTACTS 		120 (t1) 140 (t3)	
SLOW-ACTION CONTACTS (BREAK BEFORE MAKE) 		110 (t0) 160 (t5)	
SLOW-ACTION CONTACTS (MAKE BEFORE BREAK) 		110 (t1) 170 (t6)	
SLOW-ACTION CONTACTS (2 NORMALLY CLOSED) 		110 (t0) 150 (t4)	



NOTE:- ANY STANDARD LISTING WITH SUFFIX 'RS' OR 'FE' IS PERMITTED.



BLANK = NO ROLLER FITTED.
BLANK = LEVER TO FRONT, SWITCHING IN BOTH DIRECTIONS.

NOTE: FOR CONNECTION DIAGRAMS AND ADDITIONAL ELECTRICAL, ENVIRONMENTAL & DIMENSIONAL INFORMATION SEE DRAWING GL-4922.

4/95	STANDARD SILVER CONTACTS	GOLD PLATED CONTACTS		
4/95	ELECTRICAL RATING	ELECTRICAL RATING	ENVIRONMENTAL	APPROVALS
4/95	AC A300 AC15 Ue Ie	DC O300 DC13 Ue Ie	IP66 NEMA 1, 4, 12, 13 TEMP RANGE: -25°C TO 85°C -13°F TO 185°F STORAGE: -40°C TO 85°C -40°F TO 185°F SHOCK: 50G PER IEC 68-2-27 VIBRATION: 10G PER IEC 68-2-6	UL IEC 947-5-1 EN50047
	VOLTS AMPS 120 6 240 3	VOLTS AMPS 125 0.55 250 0.27	I _{th} = 10A IV 10µA MIN. 50V 100mA MAX.	
DRAWN M. LOCH	CHECK I. WEIR	DESIGN J. BOYD	AUTHOR P. TRICKETT	SCALE 1:1 DIMENSIONS ARE IN MM/INCHES. MODIFY ON CAD SYSTEM ONLY