

Distributed by:

JAMECO[®]
ELECTRONICS

www.Jameco.com ♦ 1-800-831-4242

The content and copyrights of the attached
material are the property of its owner.

Jameco Part Number 1867491

MICRO SWITCH

A DIVISION OF MILWAUKEE-HONEYWELL REGULATOR COMPANY
MILWAUKEE, WISCONSIN

FED. MFR. CODE 91929

ACTUATOR-SWITCH

CATALOG LISTING

MD3211-Q

S

(M) MD3211-Q

ISSUE 4

MD3211-Q

M

DRAWING NUMBER

REPLACES

RELEASE NO.

ISSUE

7

CHECK

REVISIONS

A	CO 9520	R. L. Z.	24 SEPT. 58
B	CO 74336	K. D. R.	4 MAY 93
C	CO-774336	S. A. D.	20 JUL 94

CHECK

M. J. L. 26 SEPT. 58

CHECK

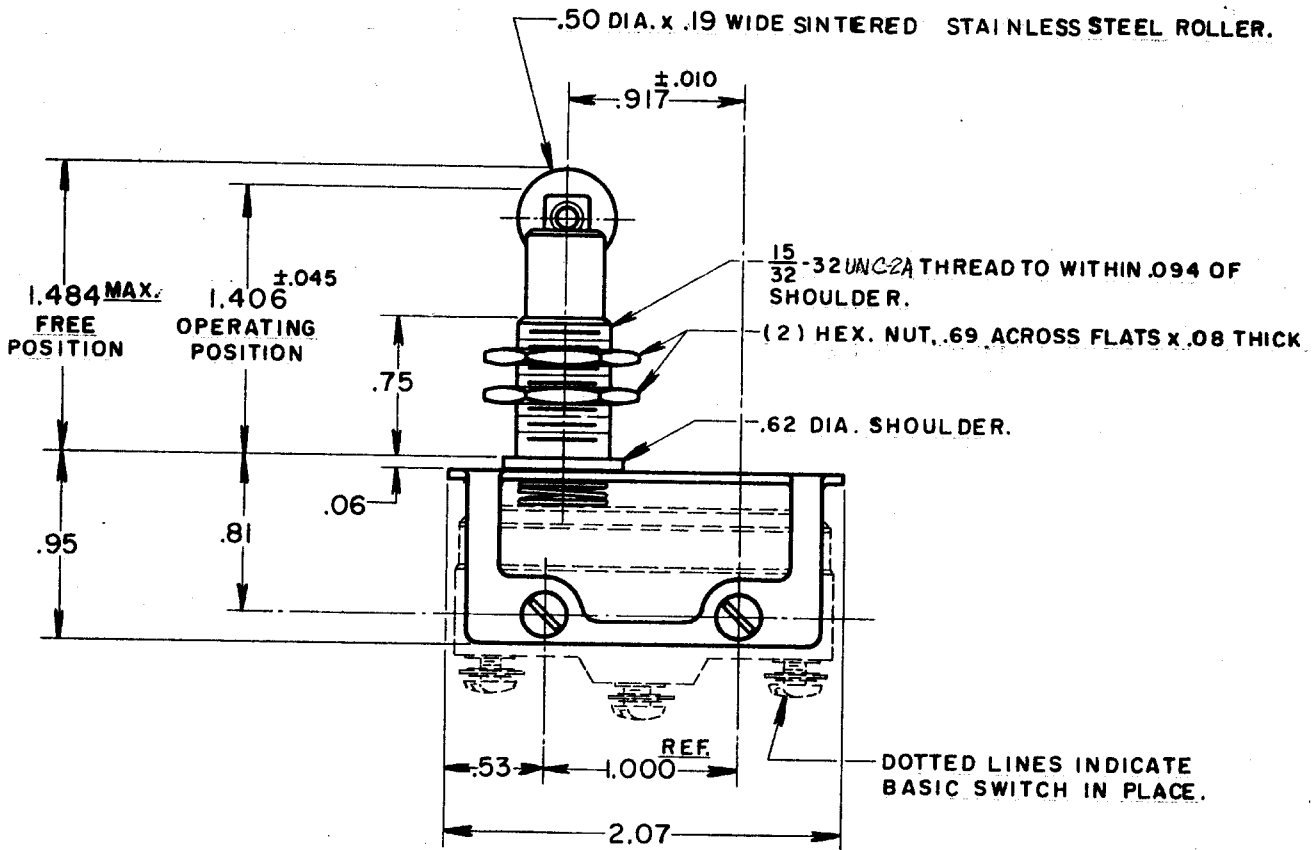
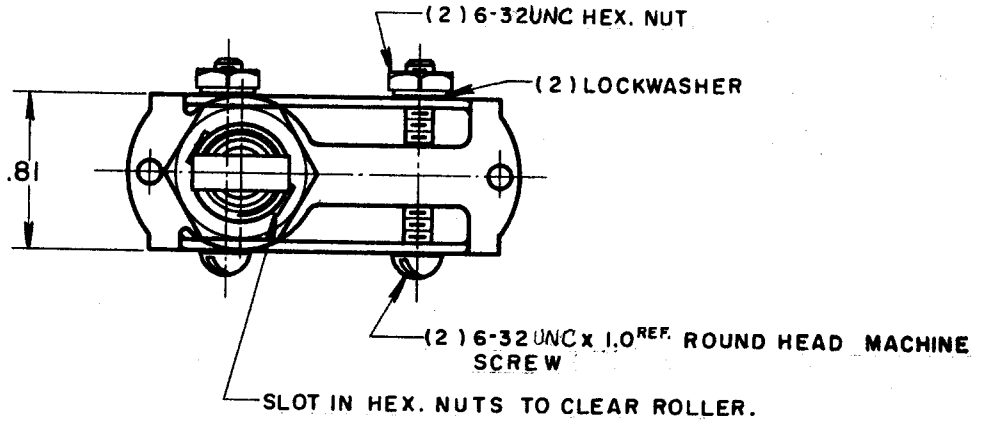
G. C. H. 22 OCT. 58

CHECK

R. L. Z. 24 SEPT. 56

DRAWN

FO-80378



NOTE-
1- SCREWS, NUTS, AND LOCKWASHERS FURNISHED UNASSEMBLED.

THIS DRAWING COVERS A PROPRIETARY ITEM AND IS THE PROPERTY OF MICRO SWITCH, A DIVISION OF HONEYWELL. THIS DRAWING IS NOT TO BE COPIED OR USED WITHOUT THE APPROVAL OF MICRO SWITCH.

CHARACTERISTICS

OVERTRAVEL — .125 APPROX.

ELECTRICAL DATA

CONTACT ARRANGEMENT

BREAK DISTANCE

SCALE - FULL

DO NOT SCALE PRINT

UNLESS OTHERWISE SPECIFIED
DIMENSIONS ARE IN INCHES
TOLERANCES ARE:

ONE PLACE (.0)	±.030
TWO PLACE (.00)	±.015
THREE PLACE (.000)	±.005
ANGLES	±

WEIGHT