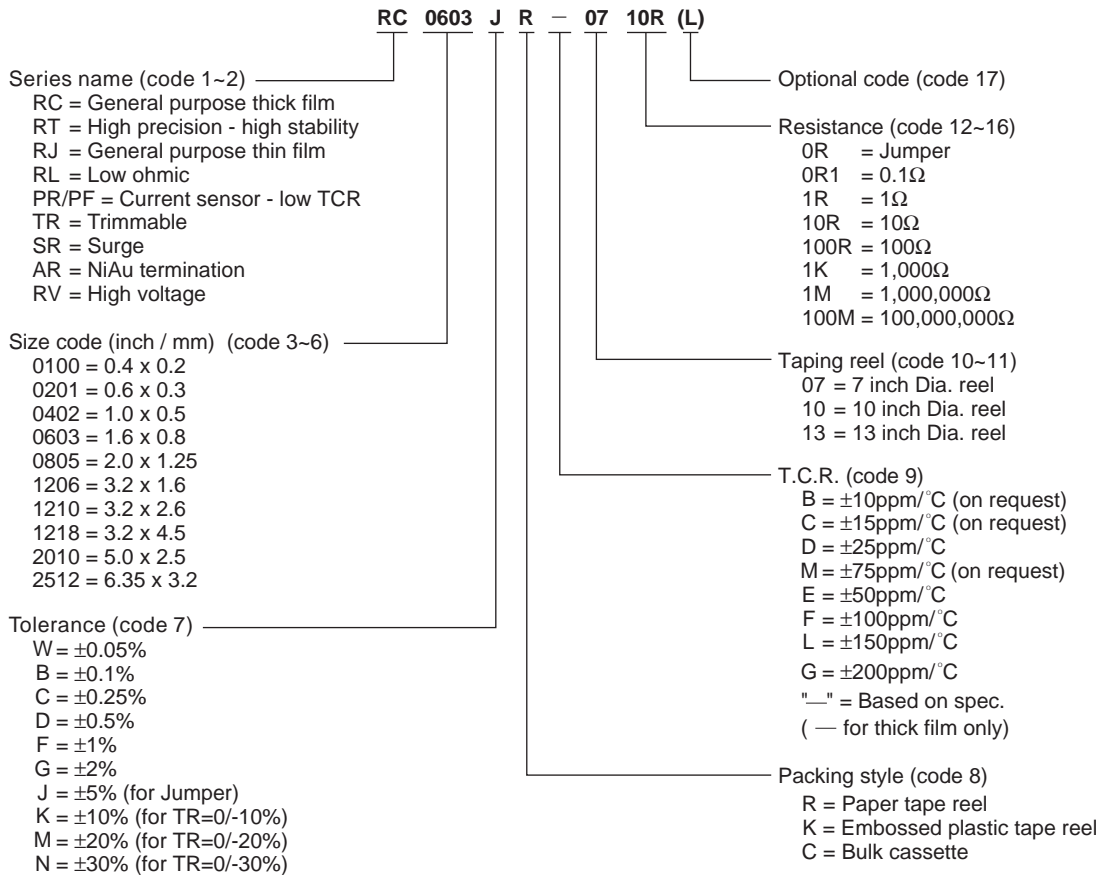


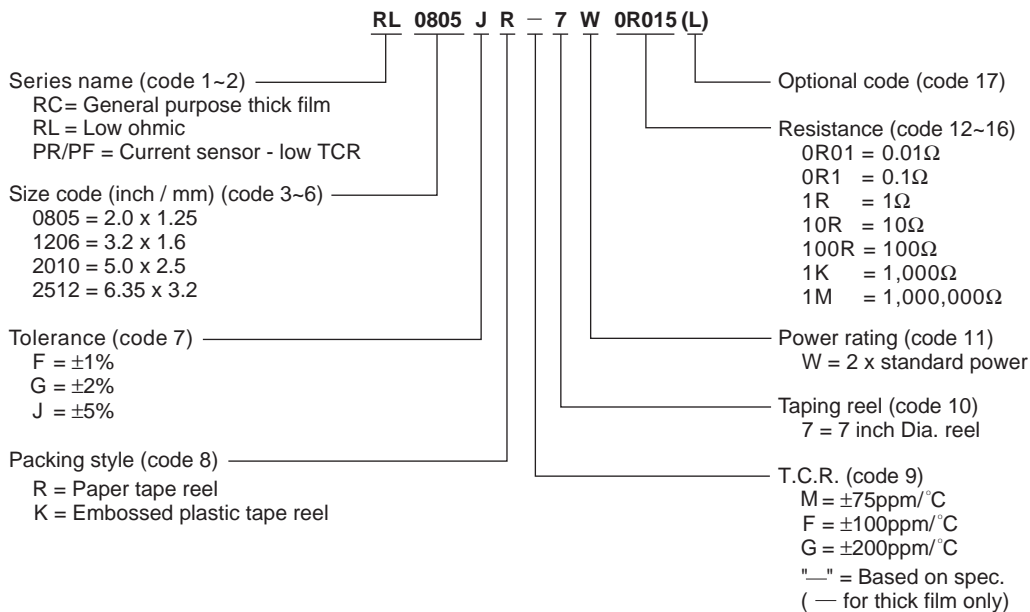
# Resistor Chip General Information

## Ordering Information - Global part number

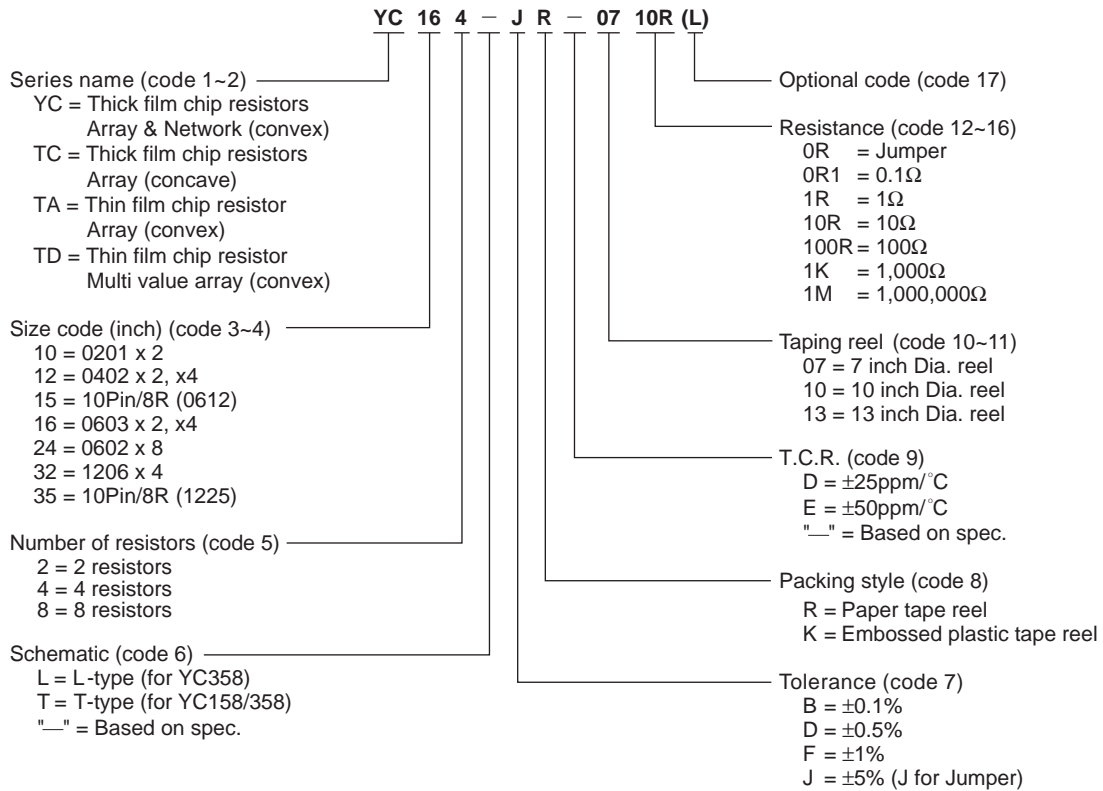
### Ordering information - Global part number - Single resistor

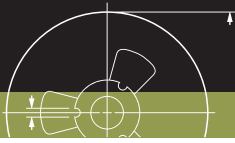


### Ordering information - Global part number - Power enhancement



### Ordering information - Global part number - Arrays & Networks





# Resistor Chip General Information

## Ordering information for North America

Ordering information - Clear text code (North America only)

Ordering example: 9C06031A10R0FKHFT = R-chip 0603, 10R0, 1%, 5K reel

	1-2	3-6	7-8	9-12	13	14	15-16	17
	X	X	X	X	X	X	X	X
<b>Series</b>	<b>Name (code 1-2)</b>							<b>Packing (code 17)</b>
9C	Phycomp Thick film chip resistors							T 5K paper
9T	Phycomp Thin film chip resistors							3 10K paper
								4 20K paper
								5 4K blister
								6 5K blister
								7 50K paper
								P 25K bulk case
								<b>Special coding (code 15-16)</b>
								HF SnPb
								PF Lead free
								AF NiAu
								<b>T.C.R. (code 14)</b>
								C ±10 ppm/°C
								D ±15 ppm/°C
								A ±25 ppm/°C
								B ±50 ppm/°C
								K ±100 ppm/°C
								L ±200 ppm/°C
								E ±250 ppm/°C
								M ±300 ppm/°C
								G ±500 ppm/°C
								F 0/+500 ppm/°C
								R 600 ppm/°C
								Q -100/+600 ppm/°C
								P ±750 ppm/°C
								H ±1000 ppm/°C
								I ±1500 ppm/°C
								J ±2000 ppm/°C
								N ±3000 ppm/°C
								<b>Tolerance (code 13)</b>
								E ±0.01%
								A ±0.05%
								B ±0.1%; ±0.2 dB
								C ±0.25%; ±0.3 dB
								D ±0.5%; ±0.5 dB
								F ±1%; ±1 dB
								G ±2%; ±2 dB
								J ±5%
								N 0/-20%
								R 0/-30%
								<b>Power rating (code 7-8)</b>
1A	1/16 W	0.063 W	(0402)					
1A	1/10 W	0.10 W	(0603)					
2A	1/8 W	0.125 W	(0805)					
3A	1/4 W	0.25 W	(1206)					
5A	1/2 W	0.5 W	(1210)					
7A	1/20 W	0.05 W	(0201)					
8A	1/32 W	0.03125 W	(RN31)					
12	3/4 W	0.75 W	(2010)					
1W	1 W	1 W	(1218/2512)					
2W	2 W	2 W						
								<b>Resistance value (code 9-12)</b>
0R00	Jumper							
R0XX	< 0.1R							
RXXX	0.1R - 0.976R							
XRXX	1R - 9.76R							
XXRX	10R - 97.6R							
XXX0	100R - 976R							
XXX1	1K - 9.76K							
XXX2	10K - 97.6K							
XXX3	100K - 976K							
XXX4	1M - 9.76M							
XXX5	10M - 97.6M							
XXX6	100M+							
XXdB	1 -20 dB							

dB values apply to Attenuators

Right values apply to trimmable resistors



# Resistor Chip General Information

IEC publication 63, SPQ, last digit of 12NC

Standard of values in a decade according to "IEC publication 63"												
E6 series:	10	15	22	33	47	68						
E12 series:	10	12	15	18	22	27	33	39	47	56	68	82
E24 series:	10	11	12	13	15	16	18	20	22	24	27	30
	33	36	39	43	47	51	56	62	68	75	82	91
E96 series:	100	102	105	107	110	113	115	118	121	124	127	130
	133	137	140	143	147	150	154	158	162	165	169	174
	178	182	187	191	196	200	205	210	215	221	226	232
	237	243	249	255	261	267	274	280	287	294	301	309
	316	324	332	340	348	357	365	374	383	392	402	412
	422	432	442	453	464	475	487	499	511	523	536	549
	562	576	590	604	619	634	649	665	681	698	715	732
	750	768	787	806	825	845	866	887	909	931	953	976

Packing quantities								
Size code	Tape width	Φ180mm;7"		Φ254mm;10"	Φ330mm;13"		Mass per 100 units	Volume
		Paper	Embossed	Paper	Paper	Embossed	Mass(g)	mm <sup>3</sup>
0100	8 mm	10 000	--	--	--	--	0.007	0.0104
0201	8 mm	10 000	--	20 000	50 000	--	0.016	0.041
0402	8 mm	10 000	--	20 000	50 000	--	0.058	0.175
0603	8 mm	5 000	--	10 000	20 000	--	0.192	0.576
0805	8 mm	5 000	--	10 000	20 000	--	0.450	1.250
1206	8 mm	5 000	--	10 000	20 000	--	0.862	2.728
1210	8 mm	5 000	--	10 000	20 000	--	1.471	4.030
1218	12 mm	--	4 000	--	--	--	2.703	7.590
2010	12 mm	--	4 000	--	--	16 000	2.273	6.875
2512	12 mm	--	4 000	--	--	--	3.704	10.827
YC122	8 mm	10 000	--	--	50 000	--	0.100	--
TC122	8 mm	10 000	--	--	--	--	0.112	--
ATV321	8 mm	10 000	--	--	--	--	0.100	--
YC124	8 mm	10 000	--	20 000	40 000	--	0.281	--
TC124	8 mm	10 000	--	20 000	40 000	--	0.311	--
YC162	8 mm	5 000	--	--	--	--	0.376	--
YC164	8 mm	5 000	--	10 000	20 000	--	0.833	--
TC164	8 mm	5 000	--	10 000	20 000	--	1.030	--
YC158	8 mm	5 000	--	--	20 000	--	0.855	--
YC248	12 mm	5 000	4 000	--	--	--	0.885	--
YC324	12 mm	--	4 000	--	--	--	2.703	--
YC358	12 mm	--	4 000	--	--	--	3.333	--

## Ordering information 12NC

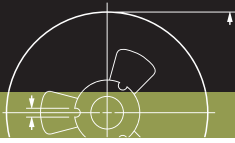
The first 8 or 9 digits of the 12 digit catalogue number are given under "Ordering information - Preferred types" on following pages.  
The remaining 4 or 3 digits represent the resistance value with the last digit indicating the multiplier as shown in right table.

Example:

0.001 Ω = 0010 or 010  
0.02 Ω = 0200 or 200  
0.3 Ω = 3007 or 307  
1 Ω = 1008 or 108  
33 kΩ = 3303 or 333  
10 MΩ = 1006 or 106

Last digit of 12NC	
Resistance	Last digit
0.001 to 0.0976 Ω	0
0.1 to 0.976 Ω	7
1 to 9.76 Ω	8
10 to 97.6 Ω	9
100 to 976 Ω	1
1 to 9.76 kΩ	2
10 to 97.6 kΩ	3
100 to 976 kΩ	4
1 to 9.76 MΩ	5
10 to 97.6 MΩ	6





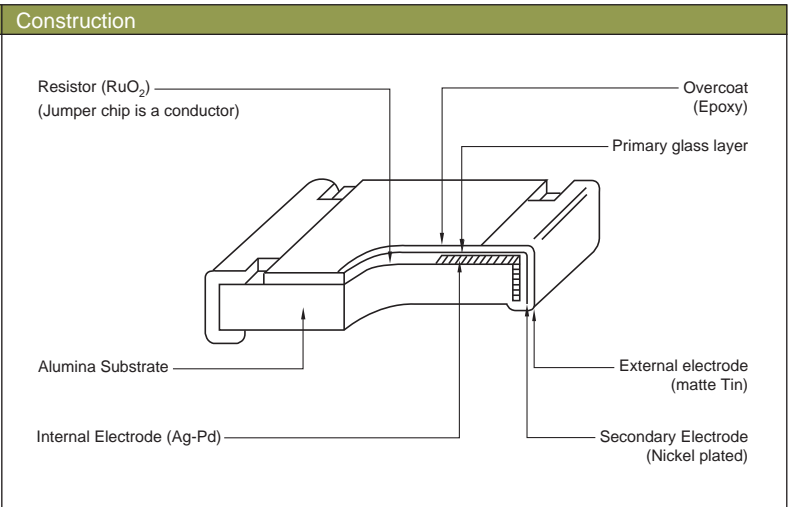
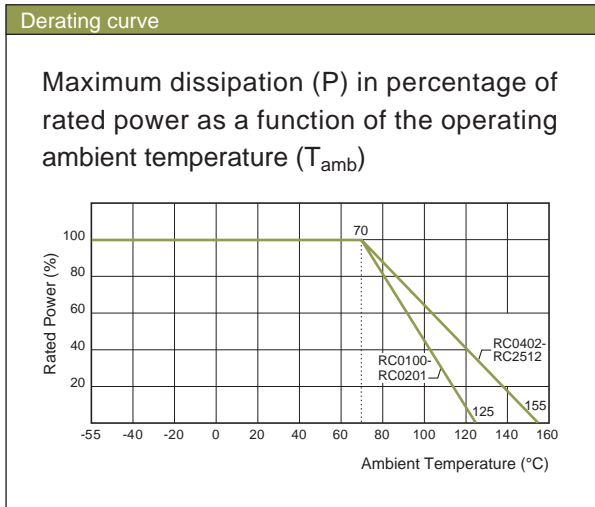
# Resistor Chip Selection Charts

## Introduction



## FEATURES

- Extremely thin and light
- Highly reliable multilayer electrode construction
- Compatible with all soldering process
- Highly stable in auto-placement surface mounting applications
- Barrier layer end termination
- Zero ohm jumper is available
- Available in 8mm tape & reel per EIA RS481



**Dimensions**

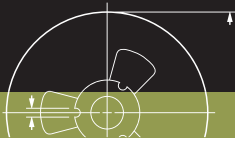
unit: mm

TYPE	L	W	H	$l_1$	$l_2$
RC0100	0.40 ±0.03	0.20 ±0.03	0.13 ±0.03	0.10 ±0.03	0.10 ±0.03
RC0201	0.60 ±0.03	0.30 ±0.03	0.23 ±0.03	0.10 ±0.05	0.15 ±0.05
RC0402	1.00 ±0.05	0.50 ±0.05	0.32 ±0.05	0.20 ±0.10	0.25 ±0.10
RC0603	1.60 ±0.10	0.80 ±0.10	0.45 ±0.10	0.25 ±0.15	0.25 ±0.15
RC0805	2.00 ±0.10	1.25 ±0.10	0.50 ±0.10	0.35 ±0.20	0.35 ±0.20
RC1206	3.10 ±0.10	1.60 ±0.10	0.55 ±0.10	0.45 ±0.20	0.40 ±0.20
RC1210	3.10 ±0.10	2.60 ±0.15	0.50 ±0.10	0.45 ±0.15	0.50 ±0.20
RC1218	3.10 ±0.10	4.60 ±0.10	0.55 ±0.10	0.45 ±0.20	0.40 ±0.20
RC2010	5.00 ±0.10	2.50 ±0.15	0.55 ±0.10	0.45 ±0.15	0.50 ±0.20
RC2512	6.35 ±0.10	3.10 ±0.15	0.55 ±0.10	0.60 ±0.20	0.50 ±0.20



Electrical characteristics											
Style	Power P <sub>70</sub>	Operating Temp. range	MWV	RCOV	DWV	Resistance range & tolerance		TCR (ppm/°C)		Jumper criteria (unit:A)	
RC0100	1/32W	-55°C ~ +125°C	15V	30V	30V	E24 ±5% Zero ohm jumper	10Ω~1MΩ < 0.05Ω	±250	10Ω ≤ R ≤ 1MΩ	Rated current Max. current	0.5 1.0
RC0201	1/20W	-55°C ~ +125°C	25V	50V	50V	E24 ±5% E24/E96 ±1% E24/E96 ±0.5% Zero ohm jumper	1Ω~10MΩ 1Ω~1MΩ 10Ω~1MΩ < 0.05Ω	±200 -100/+350	10Ω < R ≤ 10MΩ 1Ω ≤ R ≤ 10Ω	Rated current Max. current	0.5 1.0
RC0402	1/16W	-55°C ~ +155°C	50V	100V	100V	E24 ±5% E24/E96 ±1% E24/E96 ±0.5% Zero ohm jumper	1Ω~22MΩ 1Ω~10MΩ 10Ω~1MΩ < 0.05Ω	±100 ±200	10Ω < R ≤ 10MΩ 1Ω ≤ R ≤ 10Ω, 10MΩ < R ≤ 22MΩ	Rated current Max. current	1.0 2.0
RC0603	1/10W	-55°C ~ +155°C	50V	100V	100V					Rated current Max. current	1.0 2.0
RC0805	1/8W	-55°C ~ +155°C	150V	300V	300V					Rated current Max. current	2.0 5.0
RC1206	1/4W	-55°C ~ +155°C	200V	400V	500V					Rated current Max. current	2.0 10.0
RC1210	1/2W	-55°C ~ +155°C	200V	500V	500V					Rated current Max. current	2.0 10.0
RC1218	1W	-55°C ~ +155°C	200V	500V	500V					E24 ±5% E24/E96 ±1% E24/E96 ±0.5% Zero ohm jumper	1Ω~1MΩ 1Ω~1MΩ 10Ω~1MΩ < 0.02Ω
RC2010	3/4W	-55°C ~ +155°C	200V	500V	500V	E24 ±5% E24/E96 ±1% E24/E96 ±0.5% Zero ohm jumper	1Ω~22MΩ 1Ω~10MΩ 10Ω~1MΩ < 0.05Ω	Rated current Max. current	2.0 10.0		
RC2512	1W	-55°C ~ +155°C	200V	500V	500V	E24 ±5% E24/E96 ±1% Zero ohm jumper	1Ω~100Ω 1Ω~100Ω < 0.05Ω	±200	1Ω ~100Ω	Rated current Max. current	2.0 7.5
Double power RC0805	1/4W	-55°C ~ +180°C	150V	300V	300V	E24 ±5% E24/E96 ±1% Zero ohm jumper	1Ω~100Ω 1Ω~100Ω < 0.05Ω	±200	1Ω ~100Ω	Rated current Max. current	2.0 5.0
Double power RC1206	1/2W	-55°C ~ +180°C	200V	400V	500V	E24 ±5% E24/E96 ±1% Zero ohm jumper	1Ω~150Ω 1Ω~150Ω < 0.05Ω	±200	1Ω ~150Ω	Rated current Max. current	3.0 7.5
Double power RC2512	2W	-55°C ~ +180°C	200V	400V	500V	E24 ±5% E24/E96 ±1% Zero ohm jumper	1Ω~150Ω 1Ω~150Ω < 0.05Ω	±200	1Ω ~150Ω	Rated current Max. current	6.0 15.0

Environmental characteristics				
Performance test		Test method	Procedure	Requirements
Life		MIL-STD-202G-method 108A	1,000 hours at 70±5°C applied RCWV 1.5 hours on, 0.5 hours off, still air required	±(3%+ 0.05Ω) for 01005 ±(2%+ 0.05Ω) for others <100MΩ for jumper
High temperature exposure		MIL-STD-202G-method 108A	1,000 hours at maximum operating temperature depending on specification, unpowered	±(1%+ 0.05Ω) <50MΩ for jumper
Moisture resistance		MIL-STD-202G-method 106F	Each temp. / humidity cycle is defined at 8 hours (method 106F), 3 cycles / 24 hours for 10d with 25°C / 65°C 95% R.H	±(3%+ 0.05Ω) for 01005 ±(2%+ 0.05Ω) for others <100MΩ for jumper
Thermal shock		MIL-STD-202G-method 107G	LCT / UCT Number of cycles required is 300. Maximum transfer time is 20 seconds.	±(0.5%+ 0.05Ω) for 10K to 10M ±(1%+ 0.05Ω) for others
Solderability	Wetting	IPC/JEDECJ-STD-002B testB	Electrical test not required. magnification 50X. Leadfree solder bath at 245±3°C, Dipping time: 3±0.5 seconds	Well tinned (≥95% covered)
	Resistance to soldering heat	MIL-STD-202G-method 210F	Leadfree solder, 270°C, 10 seconds immersion time	±(1%+ 0.05Ω) <50MΩ for jumper
Short time overload		MIL-R-55342D-para 4.7.5	2.5 times RCWV or maximum overload voltage whichever is less for 5 seconds at room temp.	±(2%+ 0.05Ω) <50MΩ for jumper



# Resistor Chip Selection Charts

General purpose, 01005 to 0805

R-chip General Purpose Thick Film / RC series								
General purpose Thick Film / RC series								
Size: inch (mm)	0201 (0603)		0402 (1005)		0603 (1608)		0805 (2012)	
Power P <sub>70</sub>	1/20W		1/16W		1/10W		1/8W	
Tolerance	±5%	±1%	±5%	±1%	±5%	±1%	±5%	±1%
Resistance Range	E24	E24/E96	E24	E24/E96	E24	E24/E96	E24	E24/E96
Jumper								
1 Ω								
1.5 Ω								
2.2 Ω								
3.3 Ω								
4.7 Ω								
6.8 Ω								
10 Ω								
15 Ω								
22 Ω								
33 Ω								
47 Ω								
68 Ω								
100 Ω								
150 Ω								
220 Ω								
330 Ω								
470 Ω								
680 Ω								
1 kΩ								
1.5 kΩ								
2.2 kΩ								
3.3 kΩ								
4.7 kΩ								
6.8 kΩ								
10 kΩ								
15 kΩ								
22 kΩ								
33 kΩ								
47 kΩ								
68 kΩ								
100 kΩ								
150 kΩ								
220 kΩ								
330 kΩ								
470 kΩ								
680 kΩ								
1 MΩ								
1.5 MΩ								
2.2 MΩ								
3.3 MΩ								
4.7 MΩ								
6.8 MΩ								
10 MΩ								
15 MΩ								
22 MΩ								

**Note:** Products with lead free terminations meet RoHS requirements. (Non of the forbidden materials are used in products / production) The Pb-glass contained in electrodes , resistor element and glass is exempted by RoHS.

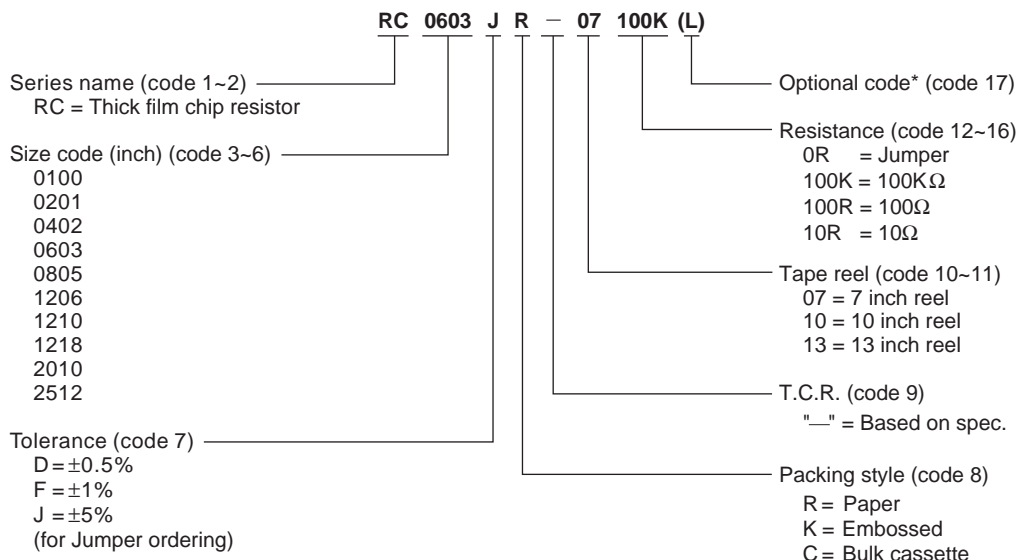


# Resistor Chip Selection Charts

General purpose, 01005 to 0805

Global part number - Preferred type

Ordering example: RC0603JR-07100K(L)



- \*Note: 1. All our RSMD products meet RoHS compliant. "LFP" of the internal 2D reel label mentions "Lead Free Process"  
2. On customized label, "LFP" or specific symbol printed and the optional "L" at the end of CTC / 12NC can be added (both are on customer request)

Ordering information - Phycomp world wide - Traditional type

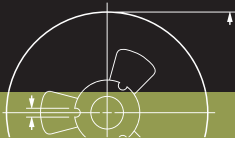
General purpose thick film / RC series									
Size: inch (mm)	0201 (0603)		0402 (1005)		0603 (1608)		0805 (2012)		
Power	1/20W		1/16W		1/10W		1/8W		
Tolerance	+5%	+1%	+5%	+1%	+5%	+1%	+5%	+1%	
Resistance	E24	E24/E96	E24	E24/E96	E24	E24/E96	E24	E24/E96	
Packing	paper tape		paper tape		paper tape		paper tape		
Quantity	5 000	---	---	---	2322 702 60...L	2322 704 6...L	2322 730 61...L	2322 734 6...L	
	10 000	2322 803 70...L	2322 806 7...L	2322 705 70...L	2322 706 7...L	2322 702 70...L	2322 704 7...L	2322 730 71...L	2322 734 7...L
	20 000	2322 806 80...L	2322 806 8...L	---	---	2322 702 81...L	2322 704 8...L	2322 730 81...L	2322 734 8...L
	50 000	2322 803 60...L	2322 806 6...L	2322 705 87...L	2322 706 8...L	---	---	---	---
Jumper	5 000	---	---	---	2322 702 96001L	---	2322 730 91002L	---	
	10 000	2322 803 91001L	---	2322 705 91001L	---	2322 702 97001L	---	2322 730 91003L	---
	20 000	---	---	---	---	2322 702 92002L	---	2322 730 92002L	---
	50 000	---	---	2322 705 91007L	---	---	---	---	---

For ordering rules: See page 107 for E24/E96 values and the last 4 or 3 digits of the 12NC catalogue number.

Ordering information - Phycomp North America - Traditional type  
Refer to page 106.







# Resistor Chip Selection Charts

General purpose, 1206 to 2512

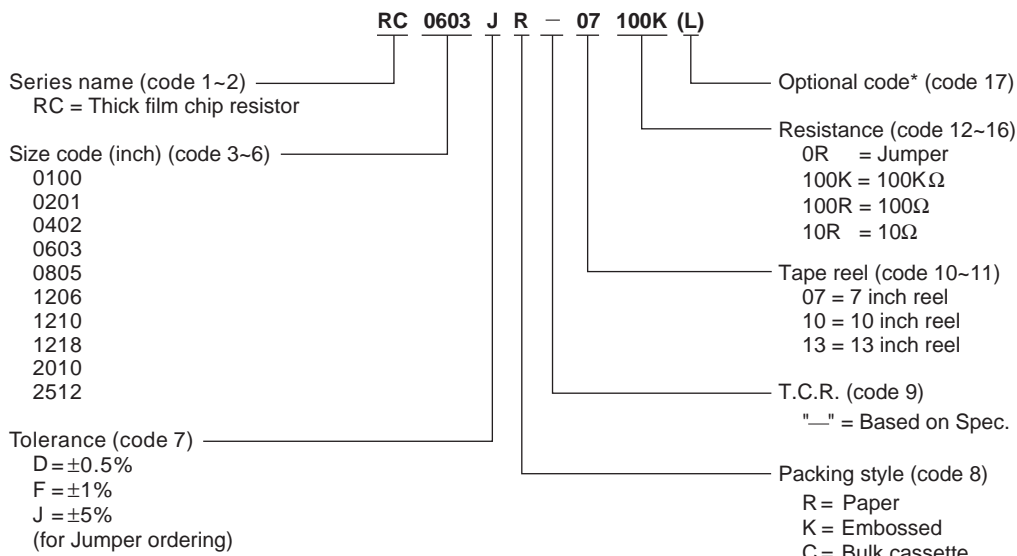
R-Chip General Purpose Thick Film / RC series										
General Purpose Thick Film / RC series										
Size: inch (mm)	1206 (3216)		1210 (3225)		1218 (3248)		2010 (5025)		2512 (6432)	
Power P <sub>70</sub>	1/4W		1/2W		1W		3/4W		1W	
Tolerance	±5%	±1%	±5%	±1%	±5%	±1%	±5%	±1%	±5%	±1%
Resistance Range	E24	E24/E96	E24	E24/E96	E24	E24/E96	E24	E24/E96	E24	E24/E96
Jumper										
1 Ω										
1.5 Ω										
2.2 Ω										
3.3 Ω										
4.7 Ω										
6.8 Ω										
10 Ω										
15 Ω										
22 Ω										
33 Ω										
47 Ω										
68 Ω										
100 Ω										
150 Ω										
220 Ω										
330 Ω										
470 Ω										
680 Ω										
1 kΩ										
1.5 kΩ										
2.2 kΩ										
3.3 kΩ										
4.7 kΩ										
6.8 kΩ										
10 kΩ										
15 kΩ										
22 kΩ										
33 kΩ										
47 kΩ										
68 kΩ										
100 kΩ										
150 kΩ										
220 kΩ										
330 kΩ										
470 kΩ										
680 kΩ										
1 MΩ										
1.5 MΩ										
2.2 MΩ										
3.3 MΩ										
4.7 MΩ										
6.8 MΩ										
10 MΩ										
15 MΩ										
22 MΩ										
Remark										

**Note:** Products with lead free terminations meet RoHS requirements.(Non of the forbidden materials are used in products / production) The Pb-glass contained in electrodes , resistor element and glass is exempted by RoHS.



### Global part number - Preferred type

Ordering example: RC0603JR-07100K(L)



- \*Note:** 1. All our RSMD products meet RoHS compliant. "LFP" of the internal 2D reel label mentions "Lead Free Process"  
2. On customized label, "LFP" or specific symbol printed and the optional "L" at the end of CTC / 12NC can be added (both are on customer request)

### Ordering information - Phycomp world wide - Traditional type

General purpose thick film / RC series										
Size: inch (mm)	1206 (3216)		1210 (3225)		1218 (3248)		2010 (5025)		2512 (6432)	
Power	1/4W		1/2W		1W		3/4W		1W	
Tolerance	+5%	+1%	+5%	+1%	+5%	+1%	+5%	+1%	+5%	+1%
Resistance	E24	E24/E96	E24	E24/E96	E24	E24/E96	E24	E24/E96	E24	E24/E96
Packing	paper tape		paper tape		paper tape		paper tape		paper tape	
Quantity 4 000	---	---	---	---	2322 735 64...L	2322 735 7...L	2322 760 60...L	2322 761 6...L	2322 762 60...L	2322 763 6...L
5 000	2322 711 61...L	2322 724 6...L	2390 735 70...L	2390 735 3...L	---	---	---	---	---	---
10 000	2322 711 51...L	2322 724 7...L	---	---	---	---	---	---	---	---
20 000	2322 711 81...L	2322 724 8...L	2390 735 71...L	2390 735 5...L	---	---	---	---	---	---
Jumper 4 000	---	---	---	---	2322 735 90007L	---	2322 760 90003L	---	2322 762 90000L	---
5 000	2322 711 91032L	---	2390 735 90001L	---	---	---	---	---	---	---
10 000	2322 711 91005L	---	---	---	---	---	---	---	---	---
20 000	2322 711 92004L	---	---	---	---	---	---	---	---	---

**For ordering rules:** See page 107 for E24/E96 values and the last 4 or 3 digits of the 12NC catalogue number.

### Ordering information - Phycomp North America - Traditional type

Refer to page 106.

