

Distributed by:

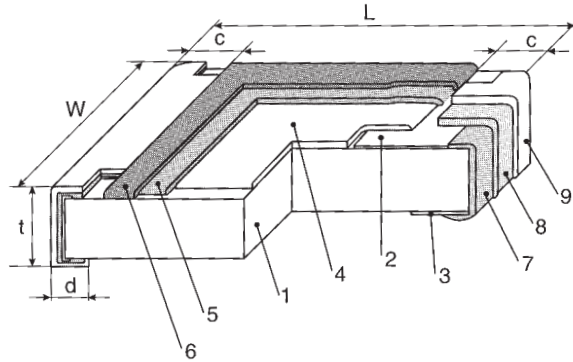
JAMECO[®]
ELECTRONICS

www.Jameco.com ♦ 1-800-831-4242

The content and copyrights of the attached
material are the property of its owner.

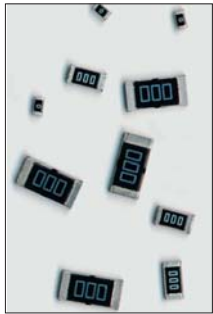
Jameco Part Number 1895977

FLAT CHIP ZERO OHM JUMPER RK73Z



STRUCTURE

- 1 Ceramic substrate
- 2 Top termination (Ag Pd)
- 3 Bottom termination (Ag)
- 4 Silver element
- 5 Glass layer
- 6 Protective layer
Epoxy: 1H...2B
Glass: 2E...3A
- 7 End termination
- 8 Diffusion barrier (Ni)
- 9 Solder plating



IDENTIFICATION

TYPE	COATING COLOR	MARKING
RK73Z 1H, RK73Z 1E	Green	None
RK73Z 1J	Black	White ("0")
RK73Z 2A ... RK73Z 3A		White ("000")

Products with Pb-free terminations meet RoHS requirements

TYPE DESIGNATION (HOW TO ORDER)

Old Part No.	RK73Z	1J	TD
New Part No. (Pb-free)	RK73Z	1J	TD
	PRODUCT CODE	STYLE 1H...3A	TERMINATION SURFACE MATERIAL T: Sn L: Sn/Pb G: Au
			TAPING* *Please see "PACKAGING"

FEATURES

- Silver element
- Anti-leaching nickel barrier terminations
- Excellent heat resistance and moisture resistance are ensured by the use of glaze thick film
- Also available with epoxy bondable, silver-palladium inner terminations in sizes 0603 ... 1210
- Also available with gold plated electrodes in size 1E, 1J and 2A
- Meets or exceeds IEC 60 115-8, JIS C 5201-8, EIAJ RC-2134A
- Suitable for reflow and wave soldering,

DIMENSIONS (mm)

SIZE	TYPE	L	W	c	d	t
0201	RK73Z 1H	0.6 ± 0.03	0.3 ± 0.03	0.1 ± 0.05	0.15 ± 0.05	0.23 ± 0.03
0402	RK73Z 1E	1.0 ± 0.1 - 0.05	0.5 ± 0.05	0.2 ± 0.1	0.25 ± 0.05 - 0.1	0.35 ± 0.05
0603	RK73Z 1J	1.6 ± 0.2	0.8 ± 0.1	0.3 ± 0.1	0.3 ± 0.1	0.45 ± 0.1
0805	RK73Z 2A	2.0 ± 0.2	1.25 ± 0.1	0.4 ± 0.2	0.3 ± 0.1 - 0.1	0.5 ± 0.1
1206	RK73Z 2B	3.2 ± 0.2	1.6 ± 0.2	0.5 ± 0.3	0.4 ± 0.1 - 0.1	0.6 ± 0.1
1210	RK73Z 2E		2.6 ± 0.2			
2010	RK73Z 2H	5.0 ± 0.2	2.5 ± 0.2		0.4 ± 0.1 - 0.1	
2512	RK73Z 3A	6.3 ± 0.2	3.1 ± 0.2	(0.65 ± 0.15)*		

* Time of change to (0.65 ± 0.15) will be announced by PCN.

RATING

SIZE	TYPE	CURRENT* RATING	MAX. SURGE CURRENT**	RATED AMBIENT TEMPERATURE	MAX. RESISTANCE VALUE	OPERATING TEMPERATURE RANGE
NEW 0201	RK73Z 1H	0.5 A	1A	+ 70° C	50 mΩ	- 55° C ... + 125° C
0402	RK73Z 1E	1 A	2 A			
0603	RK73Z 1J		5 A			
0805	RK73Z 2A	2 A	10 A			- 55° C ... + 155° C
1206	RK73Z 2B					
1210	RK73Z 2E					
2010	RK73Z 2H					
2512	RK73Z 3A					

* For parts operated at an ambient temperature of +70°C or above, the current rating shall be derated.

** Pulse duration < 1 s