

Distributed by:

JAMECO[®]
ELECTRONICS

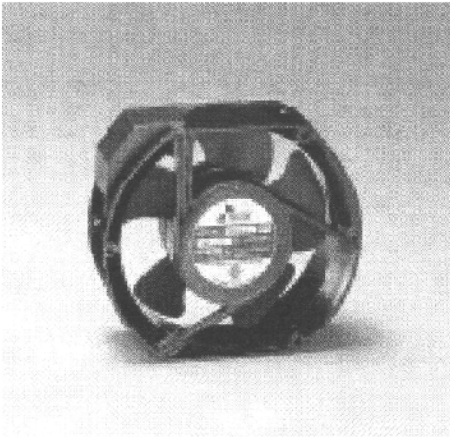
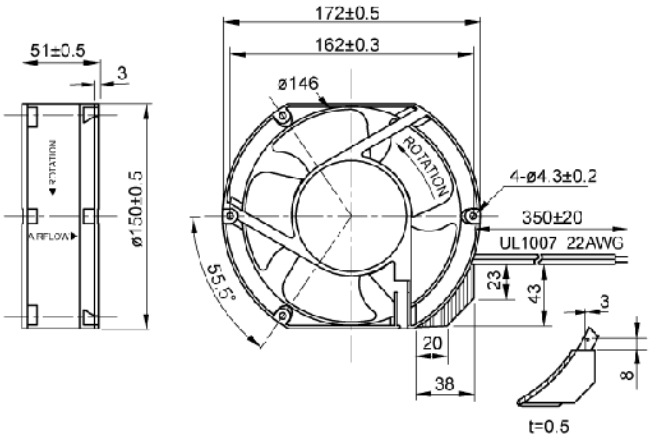
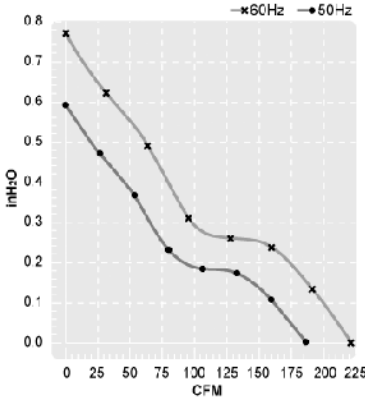
www.Jameco.com ♦ 1-800-831-4242

The content and copyrights of the attached
material are the property of its owner.

Jameco Part Number 189684

Date	Rev.	Description

Size : 172 x 150 x 51
Unit : mm



Terminal or Lead Wire Type

Thermal Protection

Spec. Model	Rated Voltage V	Frequency Hz	Input Power W	Rated Current A	Locked Current A	Speed RPM	Maximum Air Flow m ³ /min.	Maximum Air Flow CFM	Maximum Pressure mmH ₂ O	Maximum Pressure InchH ₂ O	Noise dB	Weight kg
UF15PC10-H	100V	50	30	0.33	0.50	2850	5.8	205	16	0.63	50	0.9
		60	30	0.29	0.52	3400	6.4	226	20	0.79	55	
UF15PC11-H	115V	50	31	0.26	0.41	2850	5.8	205	16	0.63	53	0.9
		60	31	0.25	0.43	3400	6.4	226	20	0.79	58	
UF15PC20-H	200V	50	29	0.15	0.23	2850	5.8	205	16	0.63	53	0.9
		60	29	0.14	0.25	3400	6.4	226	20	0.79	58	
UF15PC23-H	230V	50	29	0.12	0.19	2850	5.8	205	16	0.63	53	0.9
		60	29	0.12	0.19	3400	6.4	226	20	0.79	58	
UF15PC11-L	115V	50	31	0.17	0.21	1400	2.5	88	3.8	0.15	31	0.9
		60	31	0.15	0.20	1700	3.0	106	5.5	0.22	37	
UF15PC23-L	230V	50	29	0.08	0.09	1400	2.5	88	3.8	0.15	31	0.9
		60	29	0.07	0.09	1700	3.0	106	5.5	0.22	37	

DCC. NO.
A4 DRAWING NO.

MATERIAL		GOLDSUN ELECTRONICS CO., LTD.	
		JAMECO NO. 189684	GOLDSUN NO. UF15PC11-H
DRWN Kiki Chen	DATE	Description FAN	
CHK Ada Zheng	DATE	Rev. 1	
APVD Chesley Chang	DATE	UNIT: mm	SCALE: SHEET 1 OF 1
		CAS No: ERN No:	