

5

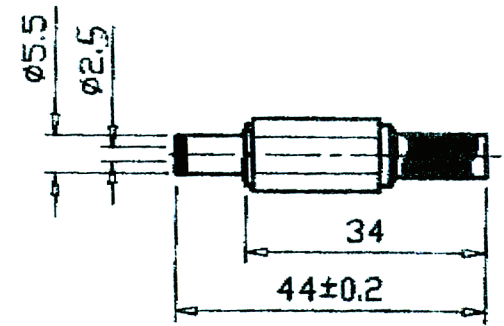
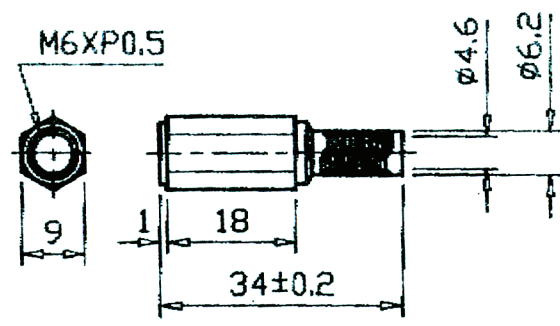
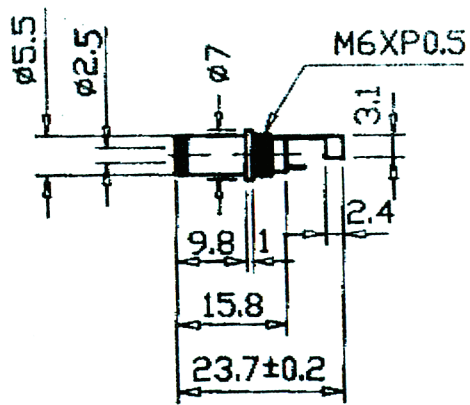
4

3

2

1

Date	Rev.	Description



DCC. NO.
A4 DRAWING NO.

MATERIAL		GOLDSUN ELECTRONICS CO., LTD.	
		JAMECO NO. 190538	GOLDSUN NO.
DRAWN: Ivan		DESCRIPTION FEMALE POWER PLUG	
VERIFY PEOPLE: Jenny		5.5x2.5x9.0mm, S.R. 4.8mm	
UNIT: mm	SCALE: 1:1	SHEET 1 OF 1	Rev. 1
		CAS No:	ERN No:

C

B

A