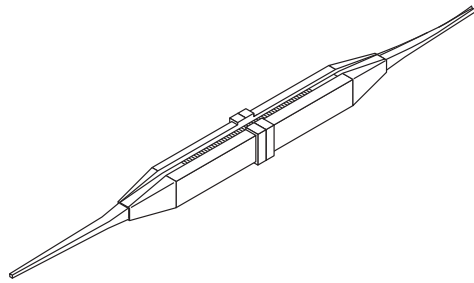


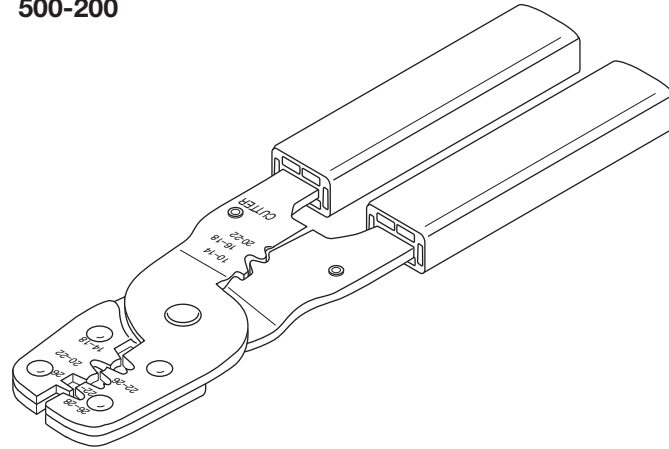
D-Sub Installation Tools



500-200

500-200 D-Sub Pin-Insertion/Extraction Tool

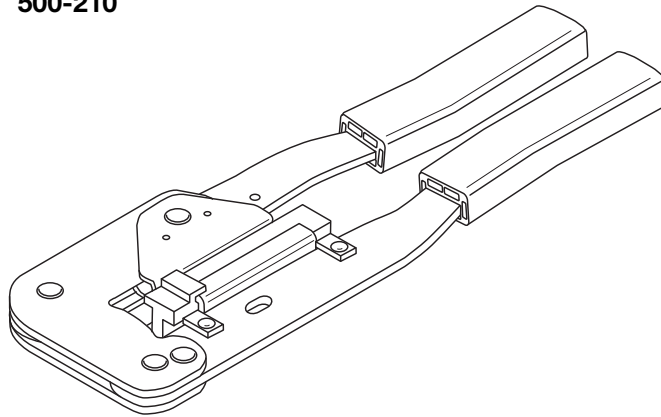
500-210 D-Sub Crimp Tool
Suitable for D-Sub Contacts and
AWG22-28 Butt-Connectors
Hardened Steel Construction
Cushion-Grip Handles



500-210

IDC Installation Tool

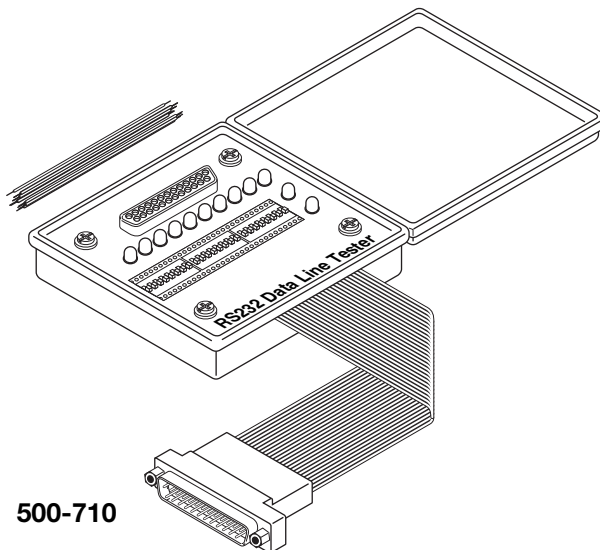
500-220 9 1/2" IDC Crimp Tool
Suitable for IDC Socket, D-Sub,
Centronics Flat-Cable Connectors
Hardened Steel Construction
Cushion-Grip Handles



500-220

RS232 Line Tester

500-710 RS232 Handheld Breakout Box
12-Line Monitor Red-Green LEDs
3x8-Position DIP Switches
20-Cross-Patching Jumper Wires
Requires no batteries



500-710