

Distributed by:

JAMECO[®]
ELECTRONICS

www.Jameco.com ♦ 1-800-831-4242

The content and copyrights of the attached
material are the property of its owner.

Jameco Part Number 1914040

Low Cost Compensated Pressure Sensors in a DIP Package

SDX Series

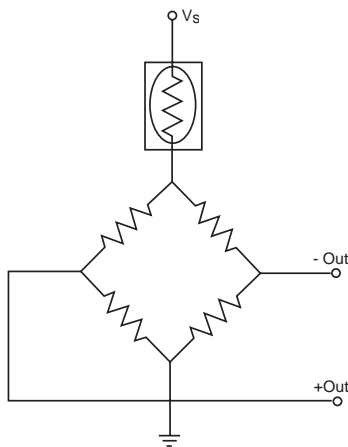
FEATURES

- Low Cost DIP
- Temperature Compensated
- Calibrated Zero & Span
- Small Size
- Low Noise
- High Impedance for Low Power Applications
- Prime Grade Available

TYPICAL APPLICATIONS

- Medical Equipment
- Computer Peripherals
- Pneumatic Controls
- HVAC

EQUIVALENT CIRCUIT



The SDX series sensors provide a very cost effective solution for pressure applications that require small size plus performance. These calibrated and temperature compensated sensors give an accurate and stable output over a 0°C to 50°C temperature range. This series is intended for use with non-corrosive, non-ionic working fluids such as air, dry gases and the like.

Devices are available to measure absolute and gauge pressures from 1 psi up to 100 psi. The absolute devices have an internal vacuum reference and an output voltage proportional to absolute pressure.

The output of the bridge is ratiometric to the supply voltage and operation from any DC supply voltage up to +20 V is acceptable.

The SDX devices feature an integrated circuit sensor element and laser trimmed thick film ceramic housed in a compact solvent resistant case. The package is a double wide (i.e., 0.600" lead spacing) dual-inline-package. This is the same familiar package used by IC manufacturers except it is only 0.470" long and has a pressure port(s). The pc board area used by each DIP is approximately 0.26 square inches. This extremely small size enables the use of multiple sensors in limited available space. The DIP provides excellent corrosion resistance and isolation to external package stress.

The DIP mounts on a pc board like a standard IC with through-hole pins. The pins anchor the pressure sensor to the pc board and provide a more secure and stable unit than other types of packages.

Contact your local SenSym ICT representative, the factory, or go to Sensym ICT's Web site at www.sensym-ict.com for additional details.

⚠ WARNING

PERSONAL INJURY

DO NOT USE these products as safety or emergency stop devices or in any other application where failure of the product could result in personal injury.

Failure to comply with these instructions could result in death or serious injury.

⚠ WARNING

MISUSE OF DOCUMENTATION

- The information presented in this product sheet is for reference only. Do not use this document as a product installation guide.
- Complete installation, operation, and maintenance information is provided in the instructions supplied with each product.

Failure to comply with these instructions could result in death or serious injury.

Low Cost Compensated Pressure Sensors in a DIP Package

SDX Series

PRESSURE SENSOR CHARACTERISTICS (All Devices)

Maximum Ratings

Supply Voltage V_S	+20 Vdc
Maximum Pressure on any Port	150 psig
Lead Temperature (Soldering 2-4 Sec.)	250°C

Environmental Specifications

Temperature Range	
Compensated	0°C to 50°C
Operating	-40°C to 85°C
Storage	-55°C to 125°C
Humidity Limits	0 to 100% RH

PRESSURE RANGE SPECIFICATIONS

Part Number	Operating Pressure	Proof Pressure	Full-Scale Span ⁽²⁾		
			Min	Typ	Max
SDX01	0 - 1 psi	20 psi	17.37 mV	18.0 mV	18.63 mV
SDX01yy-A	0 - 1 psi	20 psi	17.82 mV	18.0 mV	18.18 mV
SDX05	0 - 5 psi	20 psi	57.9 mV	60.0 mV	62.1 mV
SDX05yy-A	0 - 5 psi	20 psi	59.4 mV	60.0 mV	60.6 mV
SDX15	0 - 15 psi	30 psi	86.85 mV	90.0 mV	93.15 mV
SDX15yy-A	0 - 15 psi	30 psi	89.1 mV	90.0 mV	90.9 mV
SDX30	0 - 30 psi	60 psi	86.85 mV	90.0 mV	93.15 mV
SDX30yy-A	0 - 30 psi	60 psi	89.1 mV	90.0 mV	90.9 mV
SDX100	0 - 100 psi	150 psi	96.5 mV	100.0 mV	103.5 mV
SDX100yy-A	0 - 100 psi	150 psi	99.0 mV	100.0 mV	101.0 mV

SDX PERFORMANCE CHARACTERISTICS⁽¹⁾

Characteristics	Min	Typ	Max	Unit
Zero Pressure Offset	-1.0	0	1.0	mV
Combined Pressure Non-Linearity and Pressure Hysteresis ⁽³⁾	-	±0.2	±1.0	%FSO
Temperature Effect on Span (0° - 50°C) ⁽⁴⁾	-	±0.4	±2.0	%FSO
Temperature Effect on Offset (0° - 50°C) ⁽⁴⁾	-	±0.2	±1.0	mV
Repeatability ⁽⁵⁾	-	±0.2	±0.5	%FSO
Input Resistance ⁽⁶⁾	-	4.0	-	kΩ
Output Resistance ⁽⁷⁾	-	4.0	-	kΩ
Common-Mode Voltage ⁽⁸⁾	1.5	3.0	5.0	Vdc
Response Time ⁽⁹⁾	-	100	-	μsec
Long-Term Stability of Offset and Span ⁽¹⁰⁾	-	±0.1	-	%FSO

Low Cost Compensated Pressure Sensors in a DIP Package

SDX Series

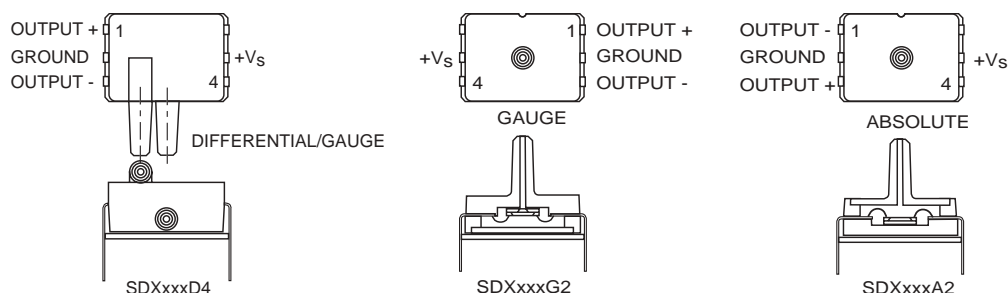
SDX PRIME GRADE PERFORMANCE CHARACTERISTICS⁽¹⁾

Characteristics	Min	Typ	Max	Unit
Zero Pressure Offset ⁽¹²⁾	-0.300	0	0.300	mV
Combined Pressure Non-Linearity and Pressure Hysteresis ^(3,11)	–	±0.1	±0.25	%FSO
Temperature Effect on Span (0° - 50°C) ⁽⁴⁾	–	±0.4	±1.0	%FSO
Temperature Effect on Offset (0° - 50°C) ⁽⁴⁾	–	±0.2	±0.5	mV
Repeatability ⁽⁵⁾	–	±0.1	–	%FSO
Input Resistance ⁽⁶⁾	–	4.0	–	kΩ
Output Resistance ⁽⁷⁾	–	4.0	–	kΩ
Common Mode Voltage ⁽⁸⁾	1.5	3.0	5.0	Vdc
Response Time ⁽⁹⁾	–	100	–	μsec
Long Term Stability of Offset and Span ⁽¹⁰⁾	–	±0.1	–	mV

SPECIFICATION NOTES

- Note 1: Reference Conditions (unless otherwise noted):
 $T_A = 25^\circ\text{C}$, Supply $V_S = 12\text{ Vdc}$, Common Mode Line Pressure = 0 psig. Pressure applied to port 2. For absolute devices only, pressure is applied to port 1 and the output polarity is reversed.
- Note 2: Full-Scale Span is the algebraic difference between the output voltage at full-scale pressure and the output at zero pressure. Full-Scale Span (FSS) is ratiometric to the supply voltage.
- Note 3: Pressure Hysteresis is the maximum output difference at any point within the operating pressure range for increasing and decreasing pressure.
- Note 4: Maximum error band of the offset voltage and the error band of the span, relative to the 25°C reading.
- Note 5: Maximum difference in output at any pressure with the operating pressure range and temperature within 0°C to 50°C after:
 a) 100 temperature cycles, 0°C to 50°C.
 b) 1.0 million pressure cycles, 0 psi to Full-Scale Span.
- Note 6: Input resistance is the resistance between V_S and ground.
- Note 7: Output resistance is the resistance between the + and - outputs.
- Note 8: This is the common mode voltage of the output arms for $V_S = 12\text{ Vdc}$.
- Note 9: Response time for a 0 psi to Full-Scale Span pressure step change, 10% to 90% rise time.
- Note 10: Long term stability over a one year period.
- Note 11: Maximum combining Pressure Non-Linearity and Pressure Hysteresis for the SDX05 Prime Grade is ±0.5%.
- Note 12: Maximum zero pressure offset for absolute devices is ±500 μV.

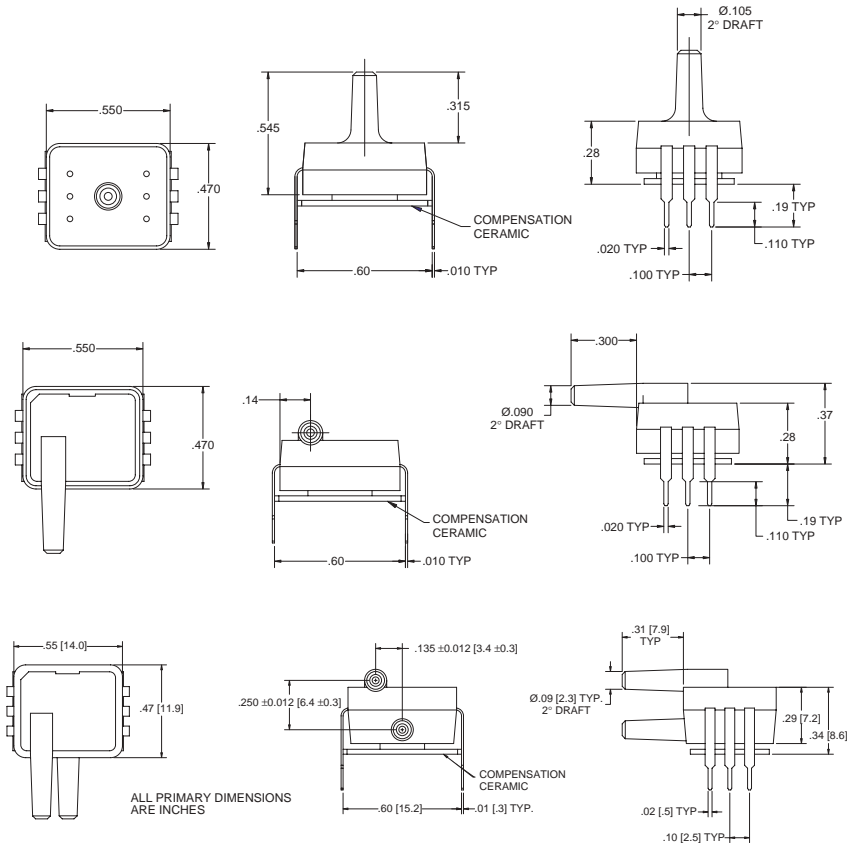
ELECTRICAL CONNECTIONS



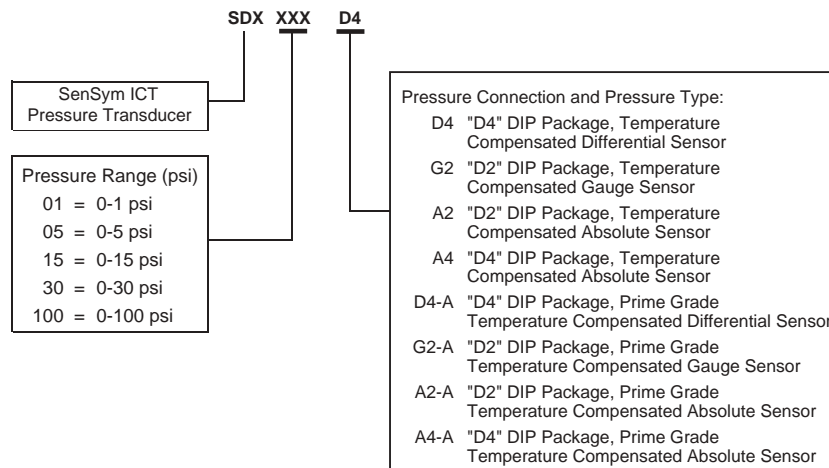
Low Cost Compensated Pressure Sensors in a DIP Package

SDX Series

PHYSICAL DIMENSIONS



ORDERING INFORMATION



WARRANTY/REMEDY

Honeywell warrants goods of its manufacture as being free of defective materials and faulty workmanship. Contact your local sales office for warranty information. If warranted goods are returned to Honeywell during the period of coverage, Honeywell will repair or replace without charge those items it finds defective. **The foregoing is Buyer's sole remedy and is in lieu of all other warranties, expressed or implied, including those of merchantability and fitness for a particular purpose.**

Specifications may change without notice. The information we supply is believed to be accurate and reliable as of this printing. However, we assume no responsibility for its use.

While we provide application assistance personally, through our literature and the Honeywell web site, it is up to the customer to determine the suitability of the product in the application. For application assistance, current specifications, or name of the nearest Authorized Distributor, contact a nearby sales office.

Or call:

1-800-537-6945 USA

1-800-737-3360 Canada

1-815-235-6847 International

FAX

1-815-235-6545 USA

INTERNET

www.honeywell.com/sensing

info.sc@honeywell.com

Honeywell

Sensing and Control

Honeywell

11 West Spring Street

Freeport, Illinois 61032

PK XXXXX-X-XX IL50 GLO MYR Printed in USA

www.honeywell.com/sensing