

Distributed by:

**JAMECO**<sup>®</sup>  
ELECTRONICS

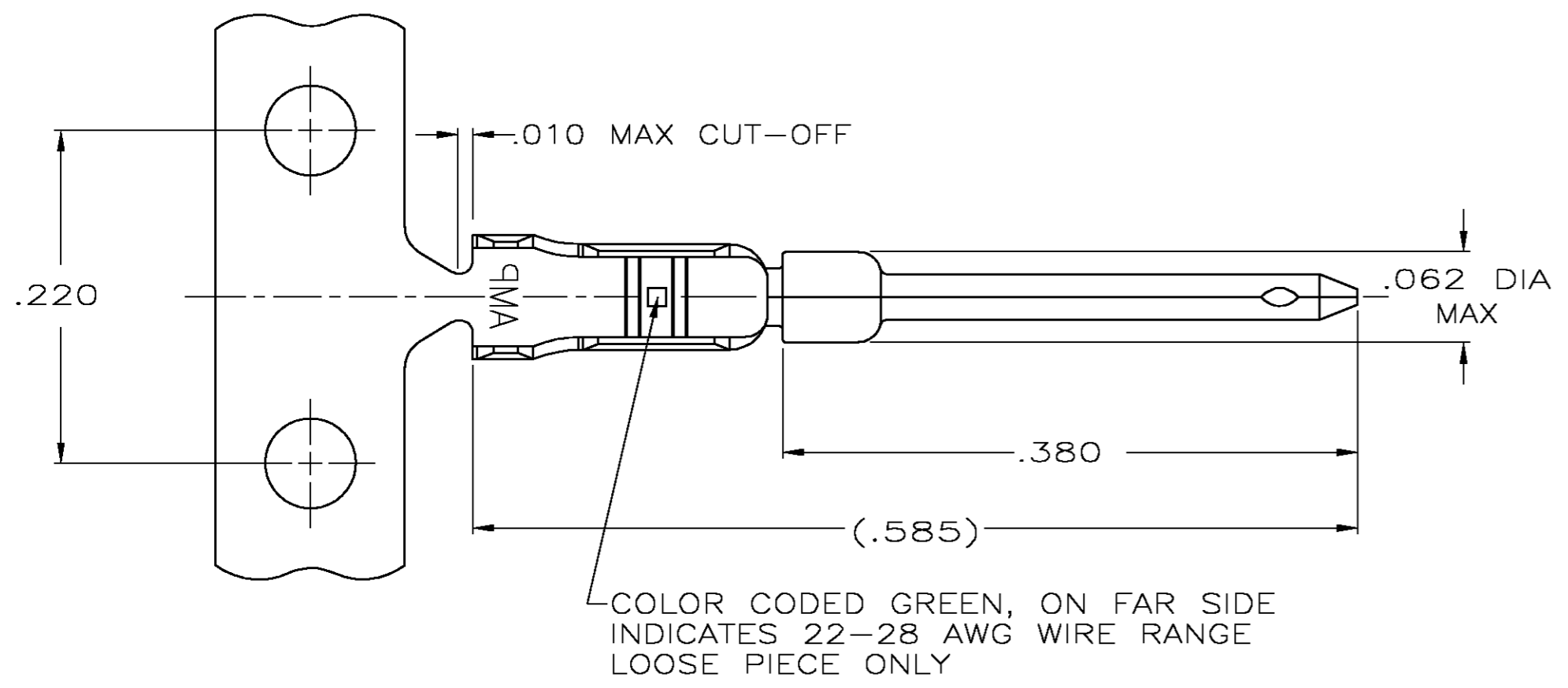
**www.Jameco.com ♦ 1-800-831-4242**

The content and copyrights of the attached  
material are the property of its owner.

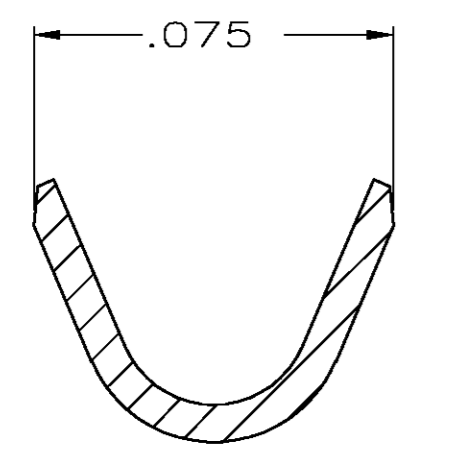
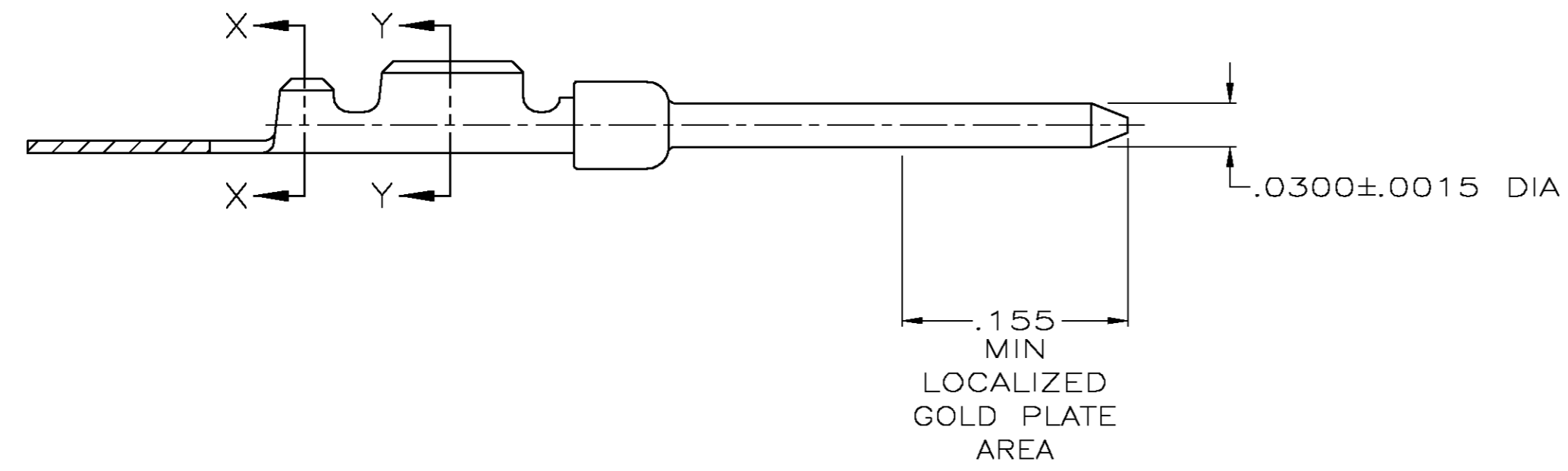
Jameco Part Number 1930138

THIS DRAWING IS UNPUBLISHED. RELEASED FOR PUBLICATION  
 © COPYRIGHT BY TYCO ELECTRONICS CORPORATION. ALL RIGHTS RESERVED.

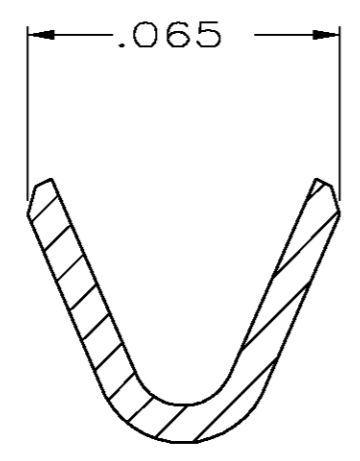
LOC	DIST	REVISIONS			
P	LTR	DESCRIPTION	DATE	DWN	APVD
GP	00	A	REVISED PER EC 0S13-0257-04	11-17-04	LV JG



- △ FOR MINI APPLICATOR.
- △ FOR HAND TOOL USE ONLY.
- 3. WIRE RANGE OF 22-28, INSULATION RANGE OF .030-.040.
- △ GOLD PLATED IN LOCALIZED GOLD PLATED AREA, 000030 MIN GOLD IN MATING AREA, .000100 MIN TIN IN WIRE & INSULATION BARRELS, BOTH OVER .000050 MIN NICKEL UNDERPLATE.
- △ GOLD FLASH IN LOCALIZED GOLD PLATE AREA, .000100 MIN TIN IN WIRE & INSULATION BARRELS, BOTH OVER .000050 MIN NICKEL UNDERPLATE.
- △ SMALL PACK PACKAGING.



SECTION X-X  
INSULATION BARREL  
SCALE 25:1



SECTION Y-Y  
WIRE BARREL  
SCALE 25:1

△4	△2	LOOSE PIECE	△6 1658670-5
△5	△2	LOOSE PIECE	1658670-4
△5	△1	STRIP	1658670-3
△4	△2	LOOSE PIECE	1658670-2
△4	△1	STRIP	1658670-1
FINISH	USE	TYPE	PART NUMBER

THIS DRAWING IS A CONTROLLED DOCUMENT.

DWN	L. VARELA - DOCK5	11-17-04	 Tyco Electronics Corporation Harrisburg, PA 17105-3608			
CHK	J. GERACE	11-17-04				
APVD	M. WALMSLEY	11-17-04				
NAME	PIN CONTACT, 22-28 AWG, 22 DF, AMPLIMITE					
DIMENSIONS:	TOLERANCES UNLESS OTHERWISE SPECIFIED:	PRODUCT SPEC	SIZE	CAGE CODE	DRAWING NO	RESTRICTED TO
INCHES	0 PLC ± -	108-1268	A2	00779	C=1658670	-
	1 PLC ± -	APPLICATION SPEC	SCALE	10:1	SHEET	1 OF 1
	2 PLC ± -	114-10001	REV	A		
	3 PLC ± .005	WEIGHT				
	4 PLC ± -	CUSTOMER DRAWING				
	ANGLES ± 2°					
MATERIAL	FINISH					
BRASS	SEE TABLE					