

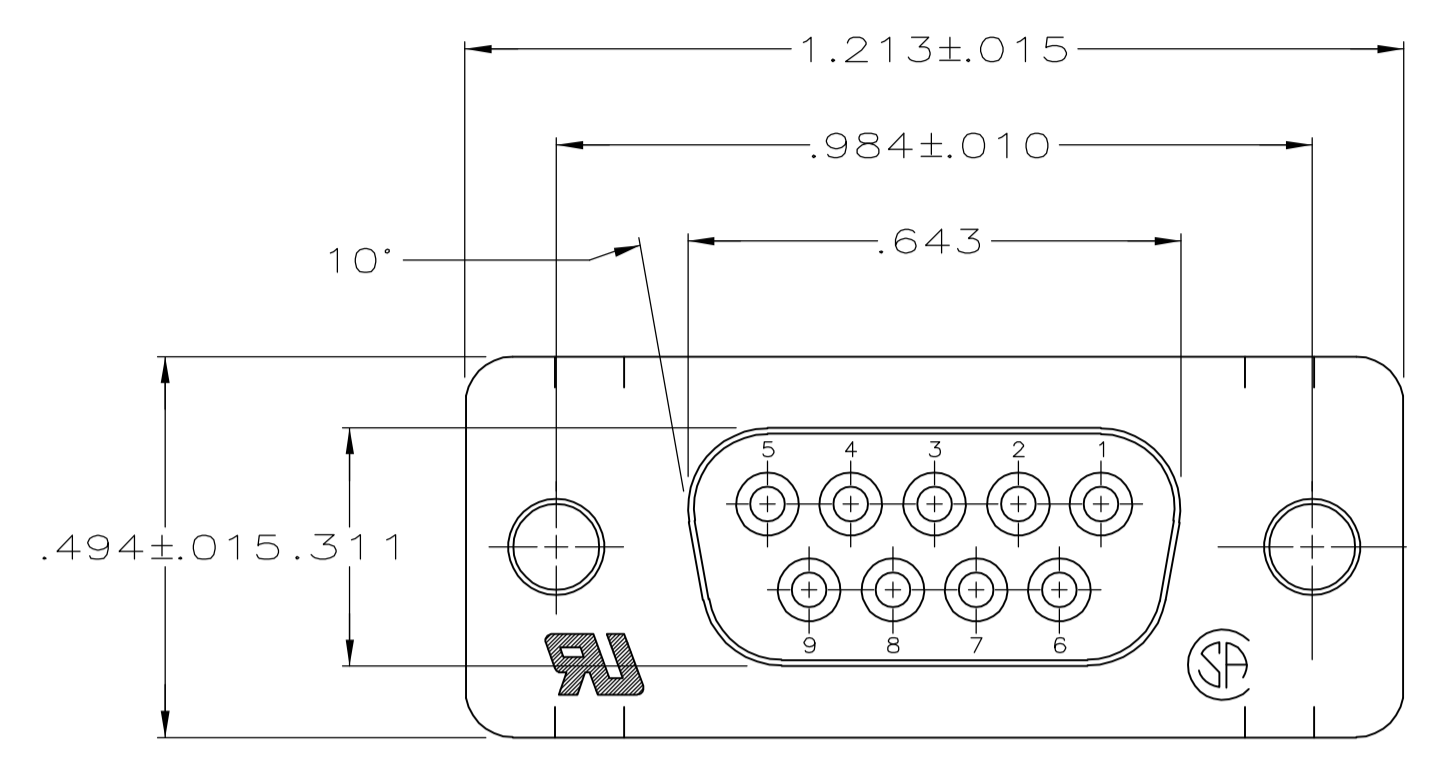
Distributed by:

JAMECO[®]
ELECTRONICS

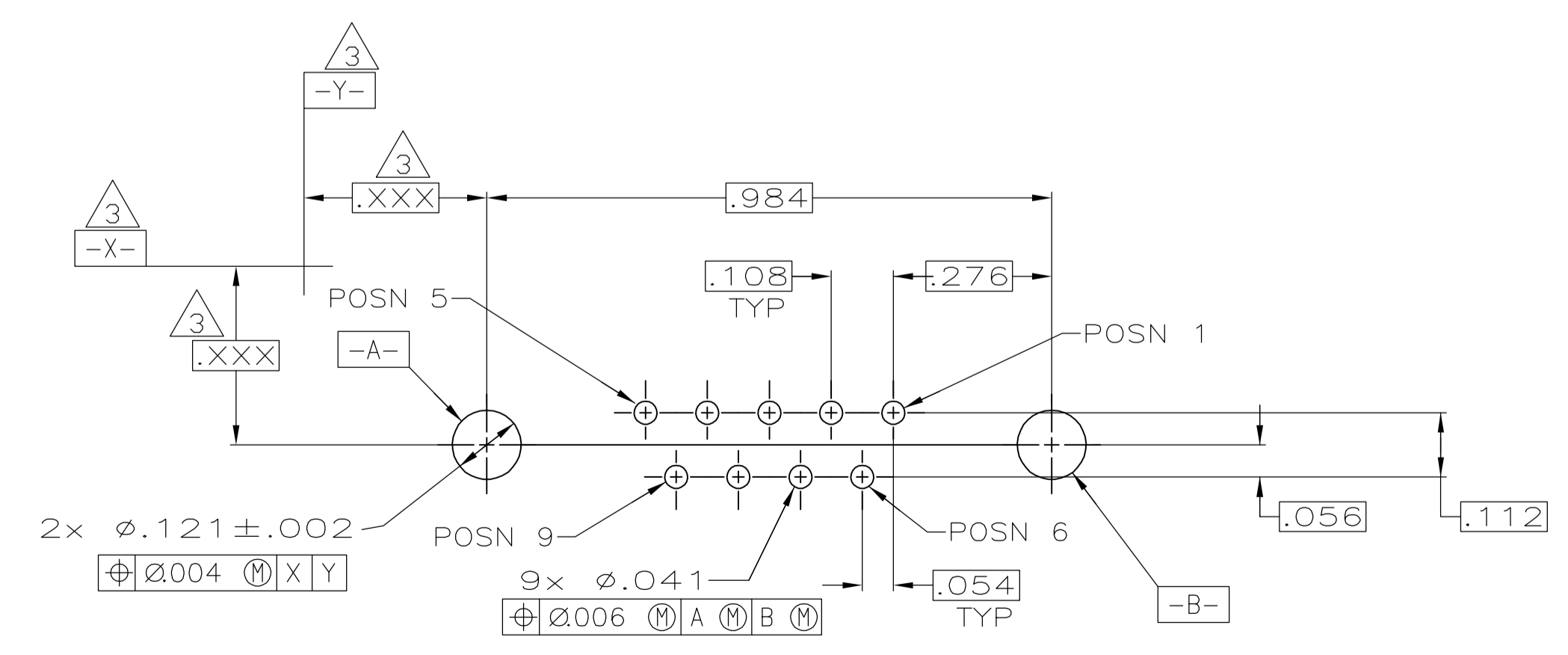
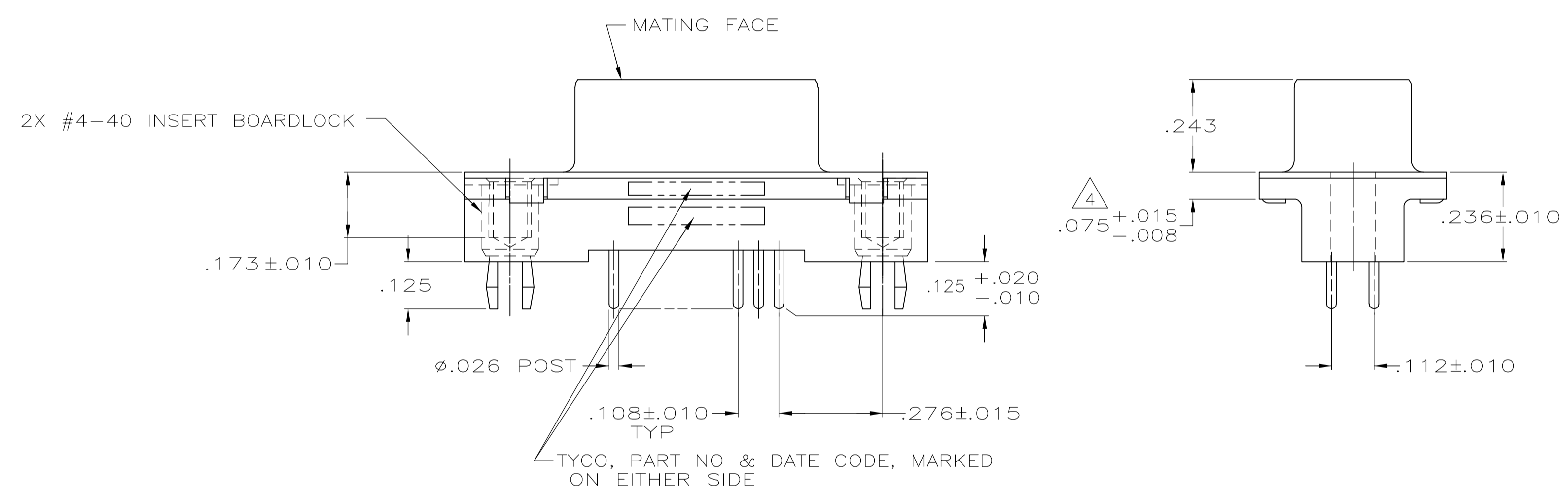
www.Jameco.com ♦ 1-800-831-4242

The content and copyrights of the attached
material are the property of its owner.

Jameco Part Number 1930998



- 1 HOUSING: FLAME RETARDANT, 94V-0 RATED, THERMOPLASTIC; COLOR: BLACK.
SHELL: CARBON STEEL.
CONTACTS: PHOS BRONZE.
INSERT BOARDLOCKS: BRASS.
- 2 SHELL: .000200 MIN TIN OVER .000100 MIN COPPER.
CONTACTS: .000030 MIN GOLD FOR LENGTH OF .100 MIN FROM MATING END, .000100 MIN TIN ON TERMINATION END, ALL OVER .000050 MIN NICKEL ON ENTIRE CONTACT.
INSERT BOARDLOCKS: .000150 MIN TIN OVER .000100 MIN COPPER.
- 3 DATUMS AND BASIC DIMENSIONS ESTABLISHED BY CUSTOMER.
- 4 .110 MAX IN SHELL TAB CLINCH AREAS.



PC BOARD MOUNTING DIMENSIONS
 CONNECTOR SIDE OF BOARD
 .062 PC BOARD THICKNESS

COPYRIGHT 2005
 TYCO ELECTRONICS CORP
 ALL RIGHTS RESERVED

2-5747706-0
 PART NO

THIS DRAWING IS A CONTROLLED DOCUMENT.		DIN 9 LATTUCA 28SEPT05	Tyco Electronics Corporation Harrisburg, PA 17105-3608
DIMENSIONS: INCHES		CHK S. BOLASH 28SEPT05	
TOLERANCES UNLESS OTHERWISE SPECIFIED:		APVD M. WALMSLEY 28SEPT05	NAME
0 PLC ± -	1 PLC ± -	PRODUCT SPEC	RECPTACLE ASSEMBLY, SIZE 1, 9 POS., VERTICAL, .026 DIA. POSTS, FRONT METAL SHELL, RETENTION INSERTS, AMPLIMITE HD-20
2 PLC ± -	3 PLC ± .005	APPLICATION SPEC	108-40025
4 PLC ± -	ANGLES ± ± -	SIZE	114-40023
MATERIAL	FINISH	WEIGHT	SCALE 4:1 SHEET 1 OF 1 REV A
1	2	CUSTOMER DRAWING	00779 5747706