

Distributed by:

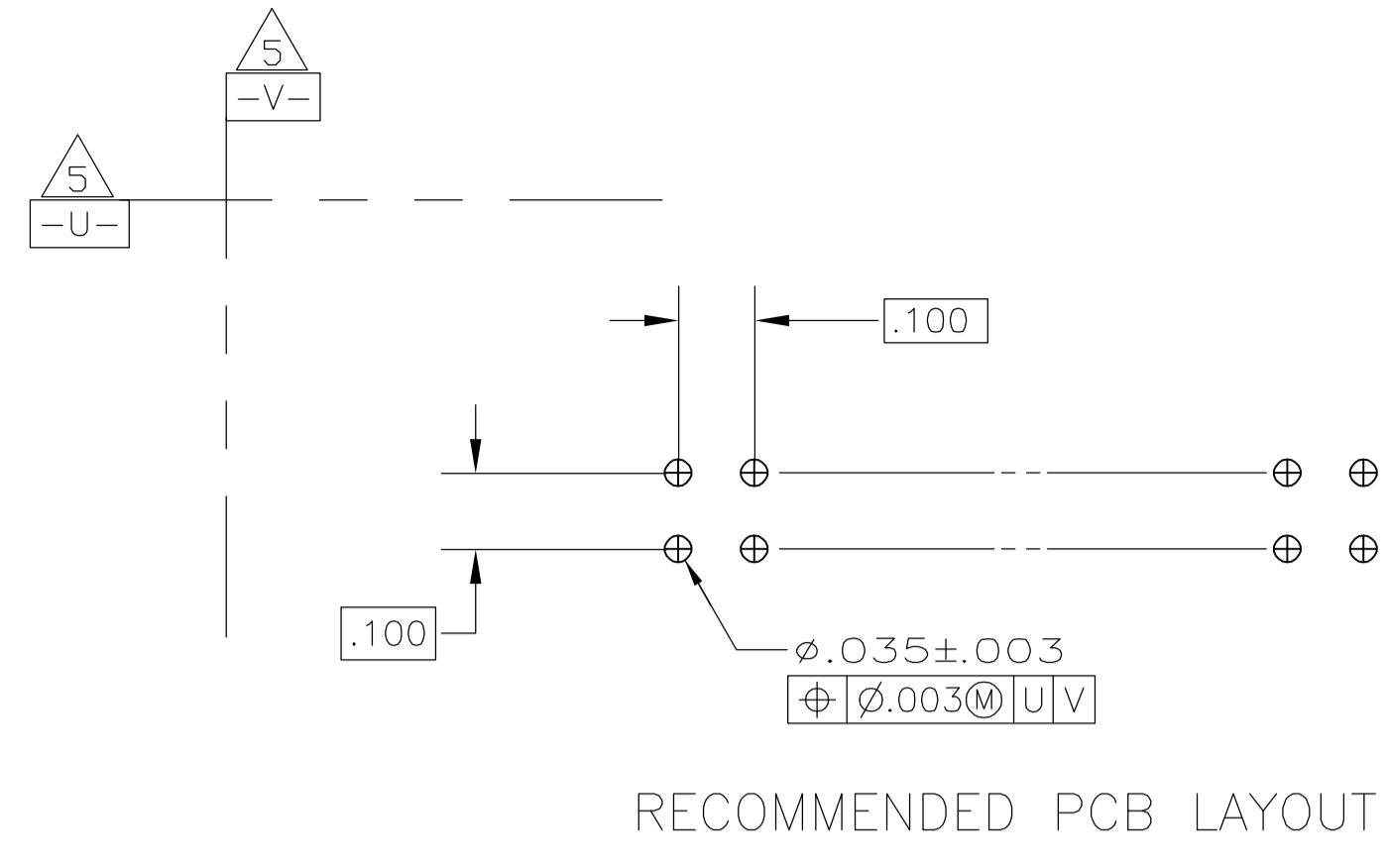
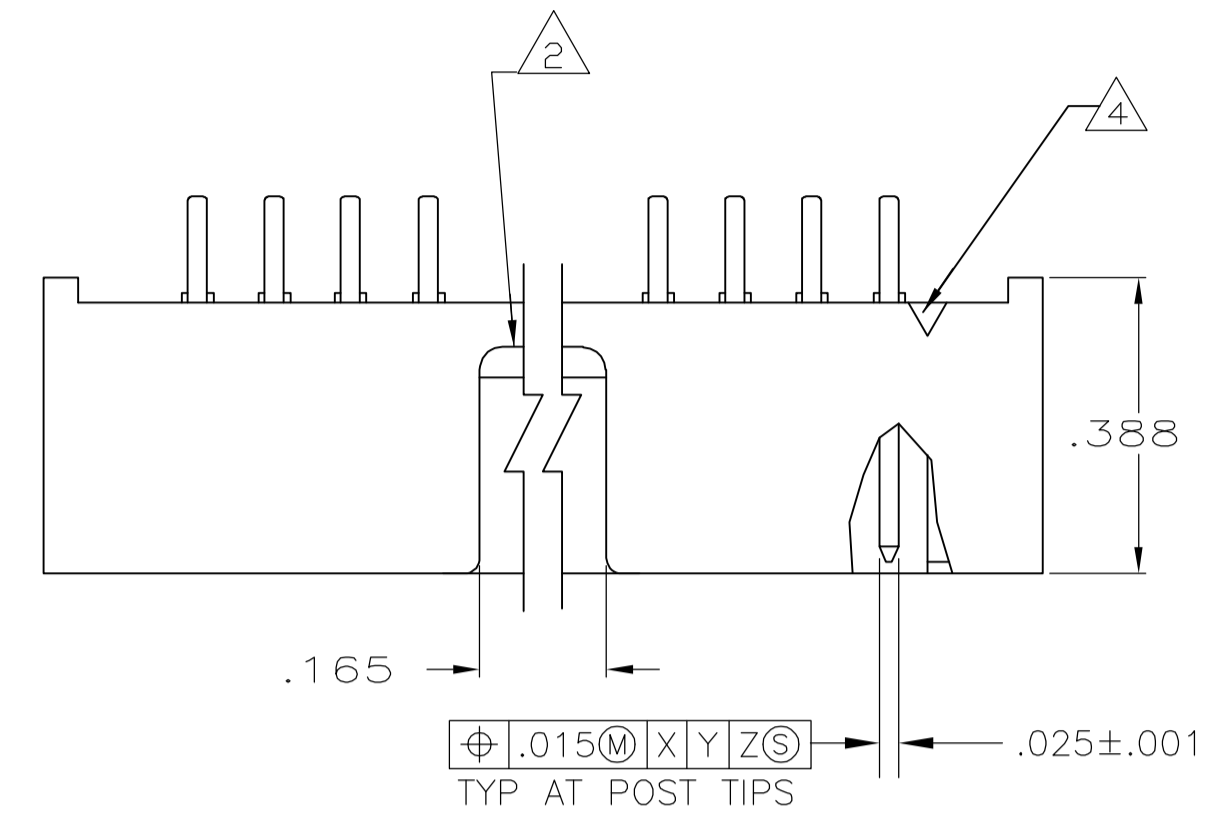
JAMECO[®]
ELECTRONICS

www.Jameco.com ♦ 1-800-831-4242

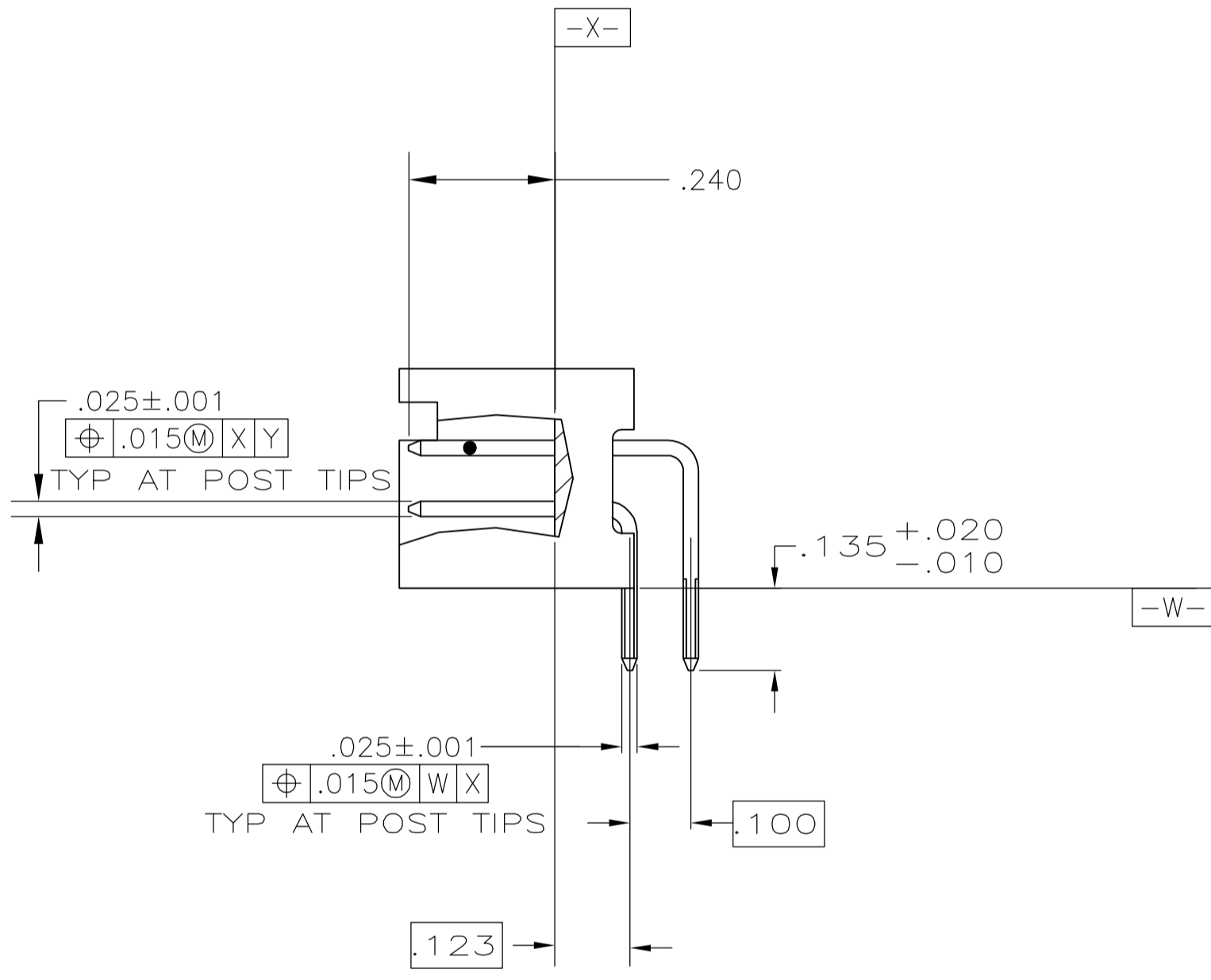
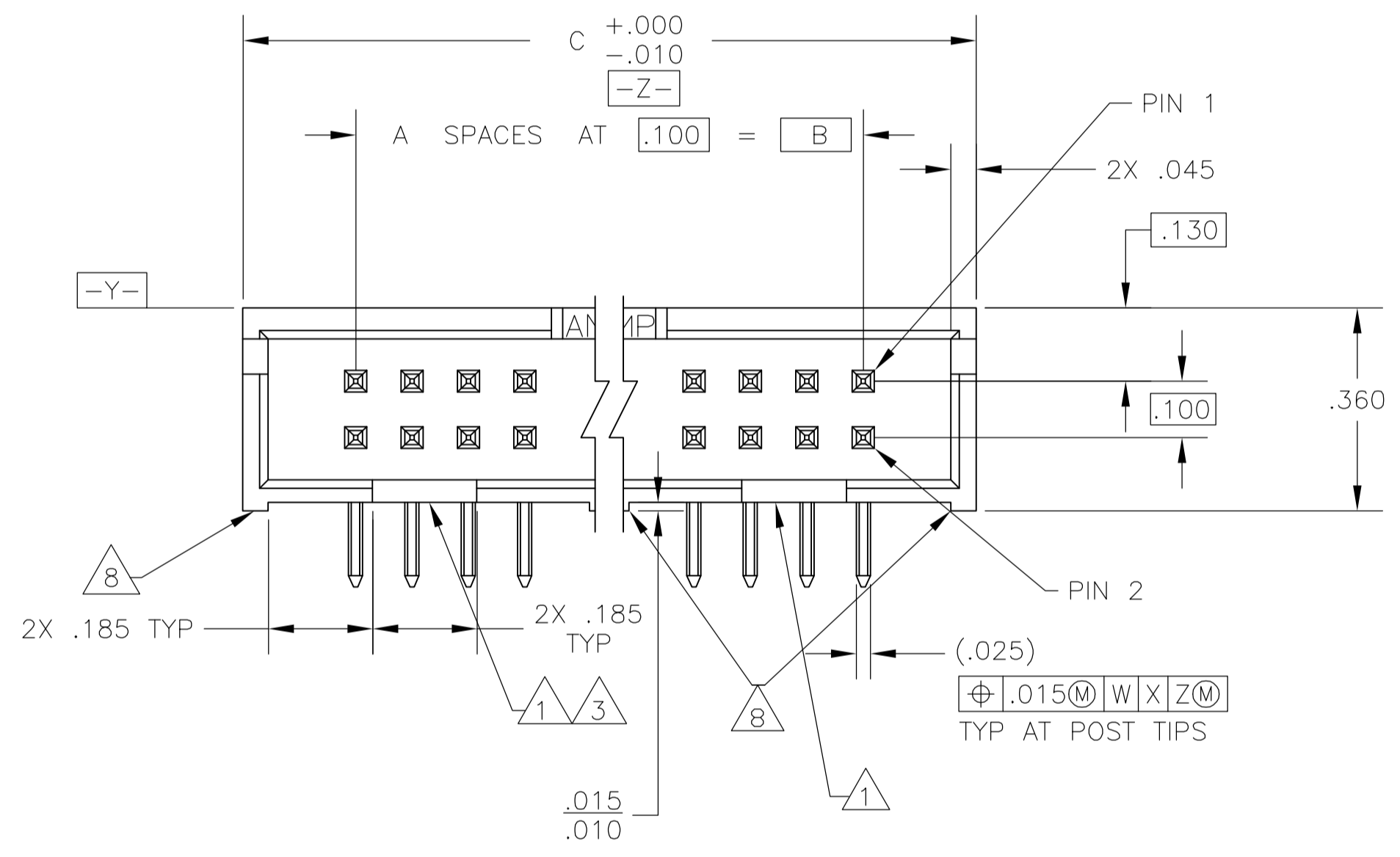
The content and copyrights of the attached
material are the property of its owner.

Jameco Part Number 1932213

LOC		DIST		REVISIONS			
GP	00	REV	DATE	BY	APP'D	DATE	BY
B		REVISED PER ECO 06-021165	16/JAN/07	ZMR	SLB		



- 1 DOUBLE BAR POLARIZATION SLOTS.
- 2 CENTER POLARIZATION SLOT.
- 3 FOR 10 POSN ASSEMBLY, SLOT OMITTED IN THIS LOCATION.
- 4 NUMBER 1 POSITION INDICATOR.
- 5 DATUMS -U- AND -V- TO BE ESTABLISHED BY CUSTOMER.
- 6 HOUSING: GLASS FILLED NYLON, UL 94V-0, COLOR: BLACK. POSTS: PHOS BRONZE.
- 7 POSTS: GOLD FLASH OVER .000015 MIN PALLADIUM-NICKEL PLATE ON THE MATING SURFACES, .000100 MIN TIN PLATE ON THE SOLDER-TAILS, .000050 MIN NICKEL UNDERPLATE ON THE ENTIRE POST. -OR- .000015 MIN GOLD PLATE ON THE MATING SURFACES, .000100 MIN TIN PLATE ON THE SOLDER-TAILS, .000050 MIN NICKEL UNDERPLATE ON THE ENTIRE POST.
- 8 STANDOFFS: ALL POSITION SIZES-2 LOCATED AT ENDS OF HOUSING. 20 THRU 34 POSITION SIZES-1 ADDITIONAL STANDOFF CENTERED ON HOUSING. 40 THRU 50 POSITION SIZES- 2 ADDITIONAL STANDOFFS EVENLY SPACED WITHIN REMAINING LENGTH OF HOUSING.



2.800	2.400	24	50	1-5103310-0
2.300	1.900	19	40	5103310-8
2.000	1.600	16	34	5103310-7
1.600	1.200	12	26	5103310-6
1.300	.900	9	20	5103310-5
1.100	.700	7	16	5103310-3
1.000	.600	6	14	5103310-2
.800	.400	4	10	5103310-1
C	B	A	NO OF POSN	PART NUMBER

THIS DRAWING IS A CONTROLLED DOCUMENT

DIN	B. LATTUCA	02 NOV 05		Tyco Electronics Corporation Harrisburg, PA 17105-3608
CHK	S. BOLASH	02 NOV 05		
APP'D	M. WALMSLEY	02 NOV 05	NAME	HEADER ASSY, RIGHT ANGLE, LOW PROFILE, AMP-LATCH
DIMENSIONS: INCHES			PRODUCT SPEC	108-40018
TOLERANCES UNLESS OTHERWISE SPECIFIED:			APPLICATION SPEC	
0 PLC	±	-	SIZE	A1
1 PLC	±	-	WEIGHT	00779
2 PLC	±	-	SCALE	4:1
3 PLC	±	.005	SHEET	1 OF 1
4 PLC	±	.005	REV	B
ANGLES	±	±	CUSTOMER DRAWING	