

Distributed by:

JAMECO[®]
ELECTRONICS

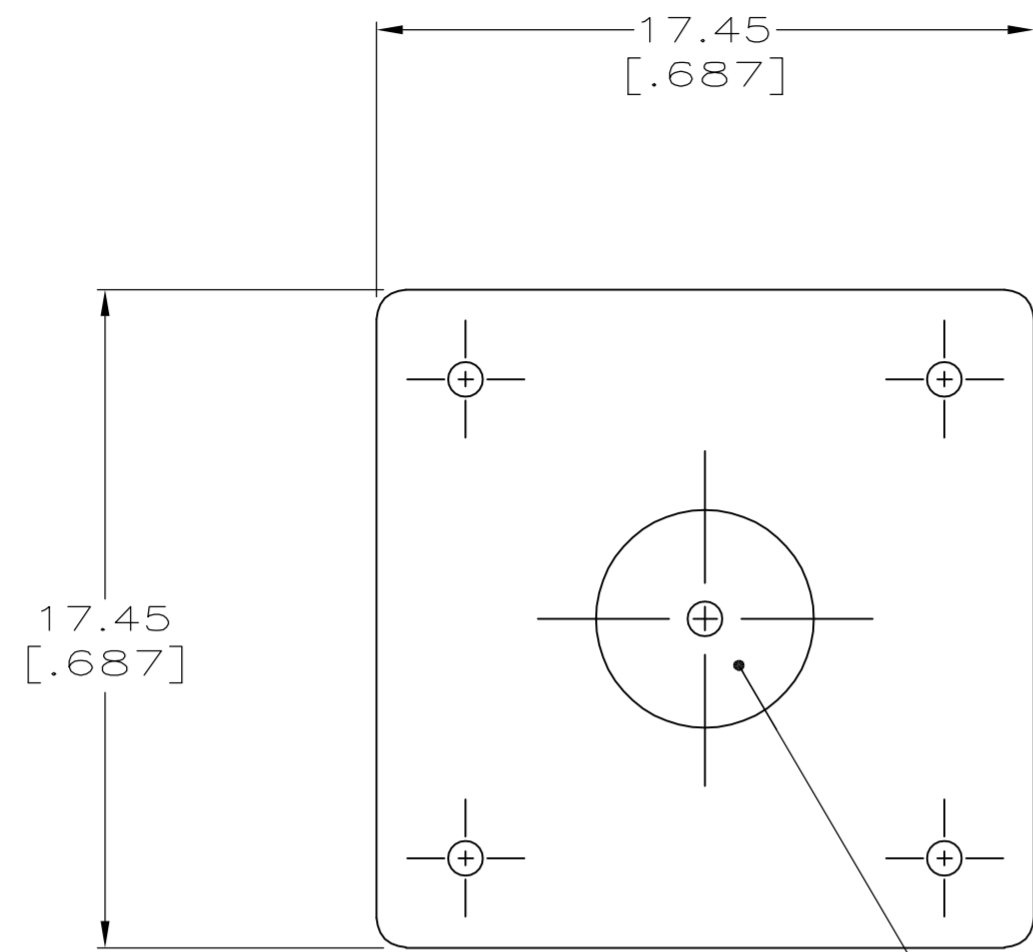
www.Jameco.com ♦ 1-800-831-4242

The content and copyrights of the attached
material are the property of its owner.

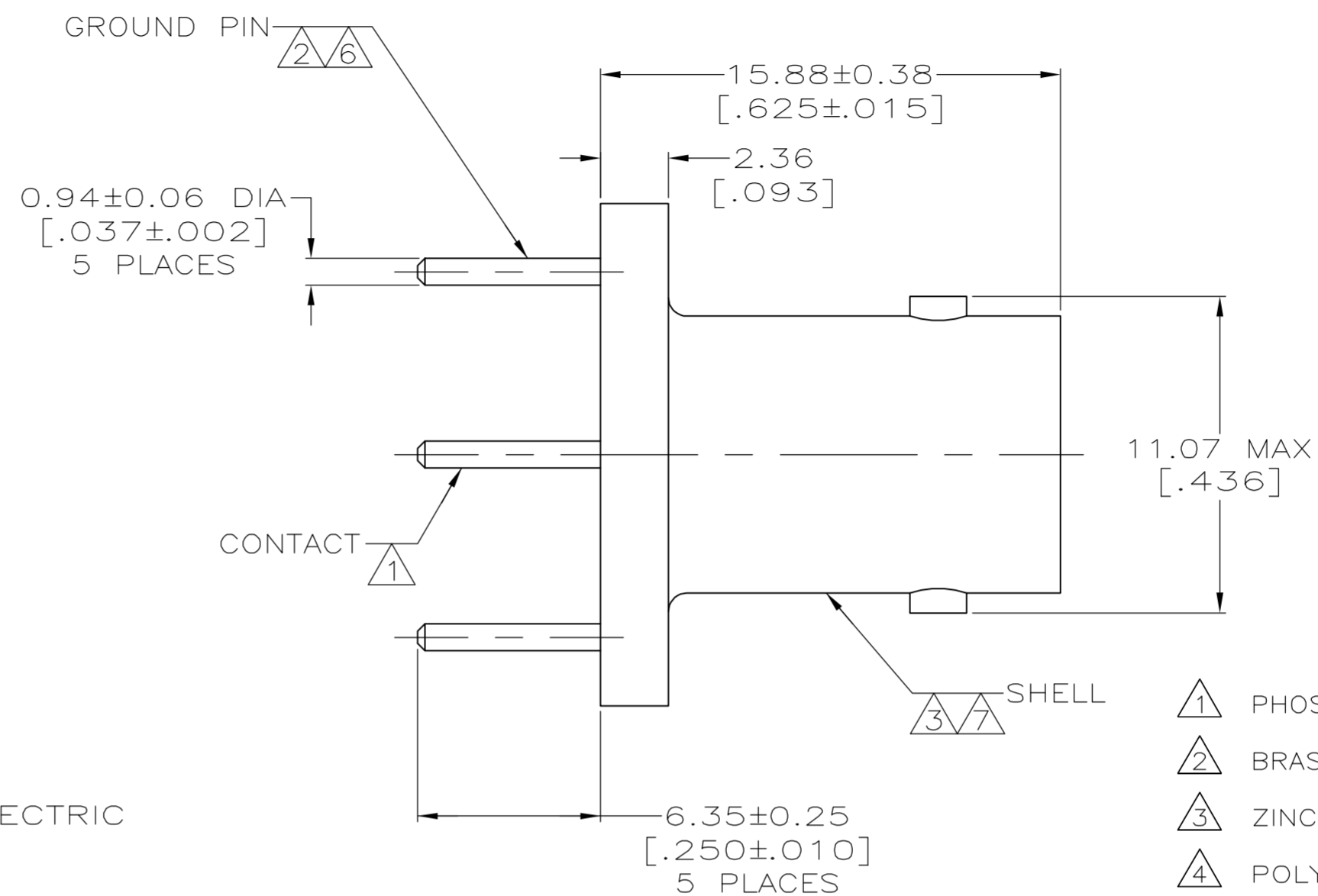
Jameco Part Number 1932395

THIS DRAWING IS UNPUBLISHED. RELEASED FOR PUBLICATION
 © COPYRIGHT BY TYCO ELECTRONICS CORPORATION. ALL RIGHTS RESERVED.

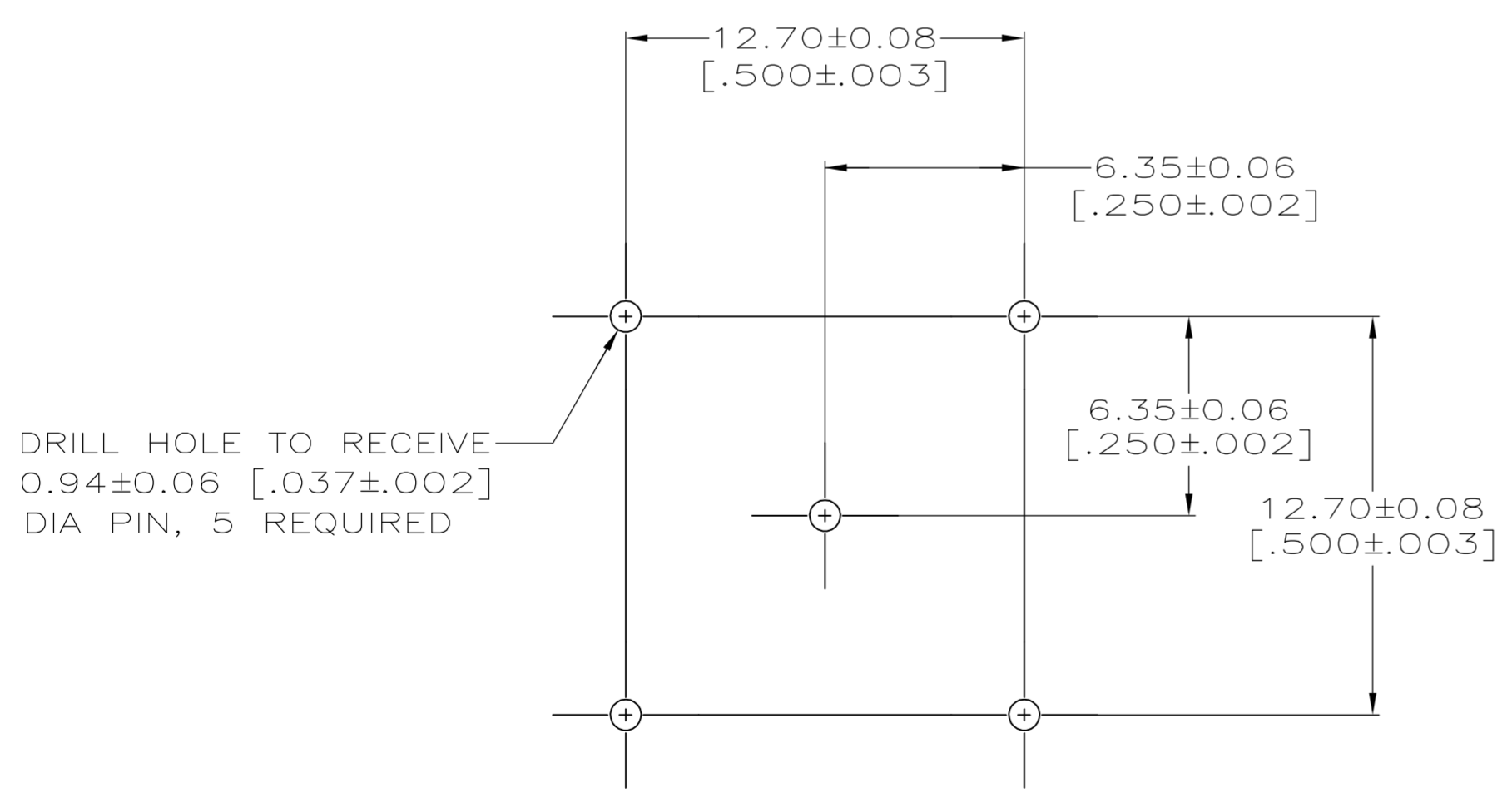
LOC	DIST	REVISIONS			
P	LTR	DESCRIPTION	DATE	DWN	APVD
AJ	17	REVISED PER EC OS14-0150-05	30AUG05	BM	JL



△4 DIELECTRIC



- △1 PHOSPHOR BRONZE PER QQ-B-750.
- △2 BRASS PER QQ-B-626.
- △3 ZINC PER QQ-Z-363.
- △4 POLYESTER, PBT, PER MIL-M-24519.
- △5 SILVER PLATE PER QQ-S-365
2.54µm [.000100] MINIMUM THICK.
- △6 TIN PLATE PER ASTM-B-545
2.54µm [.000100] MINIMUM THICK.
- △7 NICKEL PLATE PER QQ-N-290
3.81µm [.000150] MINIMUM THICK.
- △8 GOLD PLATE PER ASTM-B-488,
0.76µm [.000030] MINIMUM THICK.
- 9. SEE INSTRUCTION SHEET 408-9889.



SUGGESTED PCB CONFIGURATION

CONTACT FINISH	PART NUMBER
△6	5227699-3
△8	5227699-2
△5	5227699-1

THIS DRAWING IS A CONTROLLED DOCUMENT.		DWN L. VARELA - DOCK5 21APR2005	Tyco Electronics Corporation Harrisburg, PA 17105-3608	
DIMENSIONS: mm [INCHES]		CHK J. HAVENER 21APR2005	NAME JACK, 50 OHM, VERTICAL, PCB, BNC	
TOLERANCES UNLESS OTHERWISE SPECIFIED:		APVD J. LIPPERT 21APR2005	DRAWING NO C=5227699	
0 PLC ± -		PRODUCT SPEC 108-12078	RESTRICTED TO	
1 PLC ± -		APPLICATION SPEC	-	
2 PLC ± 0.20 [.008]		WEIGHT	-	
3 PLC ± -		SCALE	5:1	
4 PLC ± -		CUSTOMER DRAWING	SHEET 1 OF 1	
ANGLES ± -		FINISH	REV A	
MATERIAL		FINISH	SCALE 5:1	
△1△2△3△4		△5△6△7△8△9△10	SHEET 1 OF 1	

5227699