

Distributed by:

JAMECO[®]
ELECTRONICS

www.Jameco.com ♦ 1-800-831-4242

The content and copyrights of the attached
material are the property of its owner.

Jameco Part Number 1932707

LOC	DIST	REVISIONS					
AD	00	P	LTR	DESCRIPTION	DATE	DWN	APVD
		B		ECO-07-013753	12JUN07	MB	MS

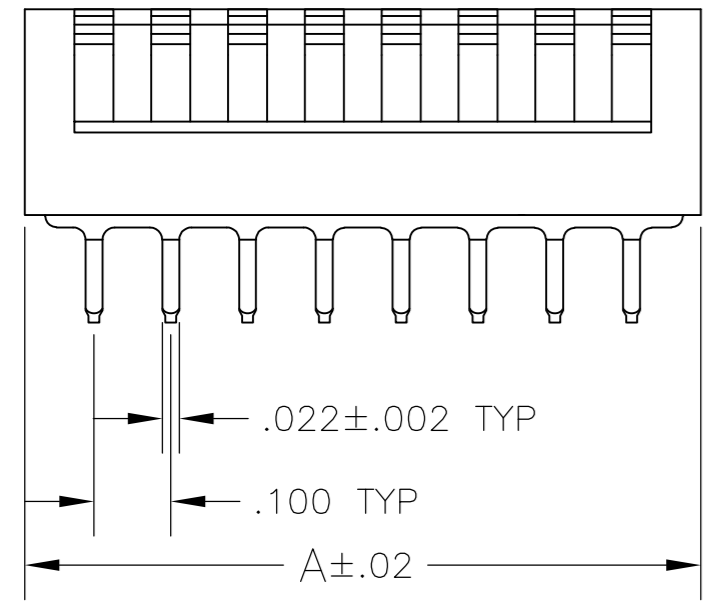
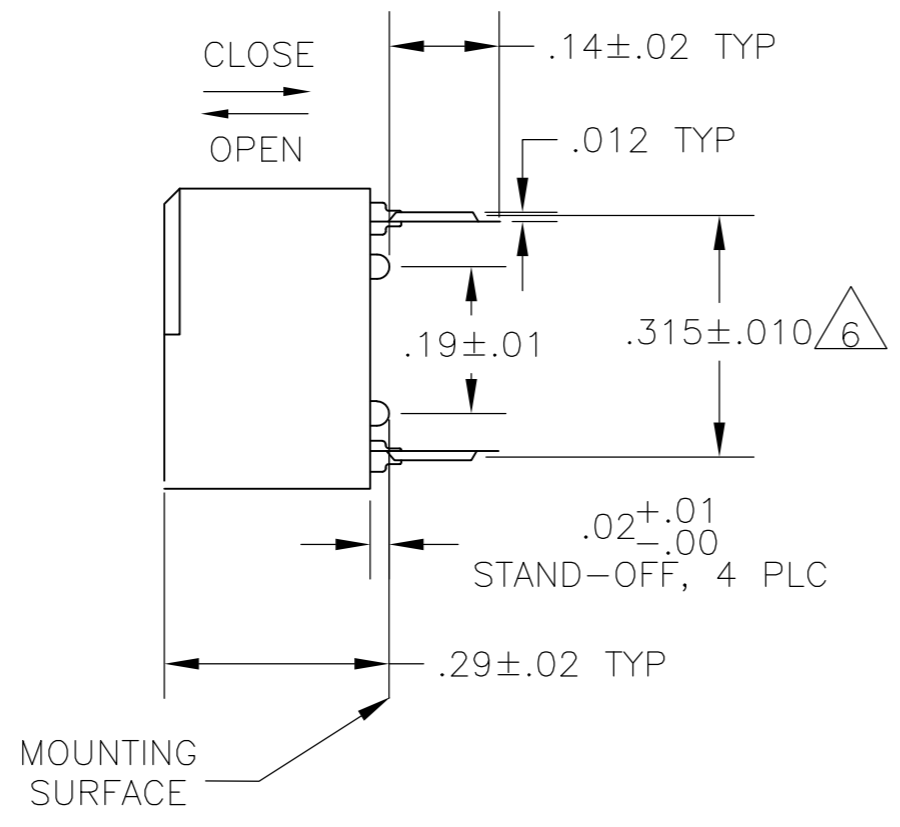
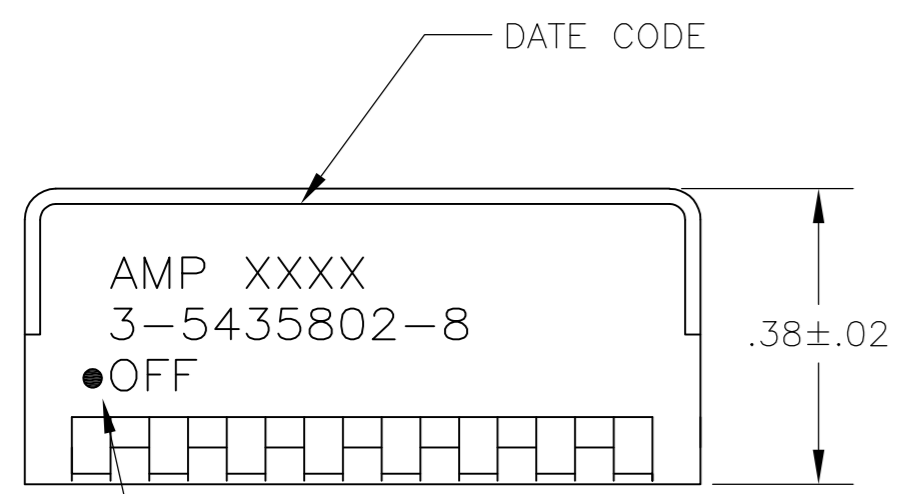
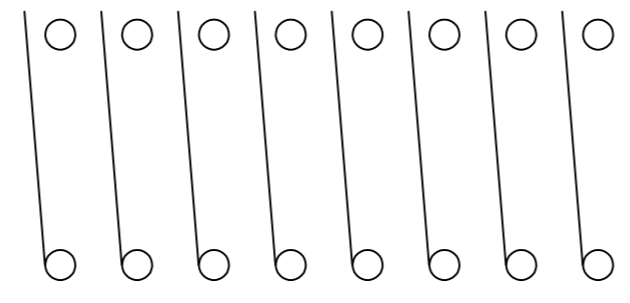


FIG 1



CONTENT ARRANGEMENT

1. FOR ADDITIONAL SPECIFICATIONS SEE AMP PRODUCT SPEC 108-7519.
2. SWITCH SHOWN IN OPEN POSITION.
3. ALL CHARACTERS AND ROCKERS ARE WHITE, HOUSING IS BLACK.
4. STAMPING WILL VARY ON 2 AND 3 POSITION TOPS DUE TO SPACE RESTRICTIONS.
5. STRIPPABLE TRANSPARENT SEAL, SEE FIG 6.
6. .315 DIMENSION APPLIES AT TERMINAL TIPS. TERMINALS ARE .300^{+.010} AT MOUNTING SURFACE.
7. NO POSITION MARKING.
8. NO PART NO. MARKING.
9. STRIPPABLE TAPE SEAL, SEE FIGURE 8.
10. ALL MATERIALS AND FINISHES SHALL COMPLY WITH EU DIRECTIVE 2002/95/EC OF 27JAN2003 (ROHS)
11. MATERIAL: HOUSING AND ROCKERS - POLYESTER
CONTACT & SOLDER LEAD - COPPER ALLOY
12. FINISH: CONTACT - GOLD OVER NICKEL
SOLDER LEAD - TIN OVER NICKEL

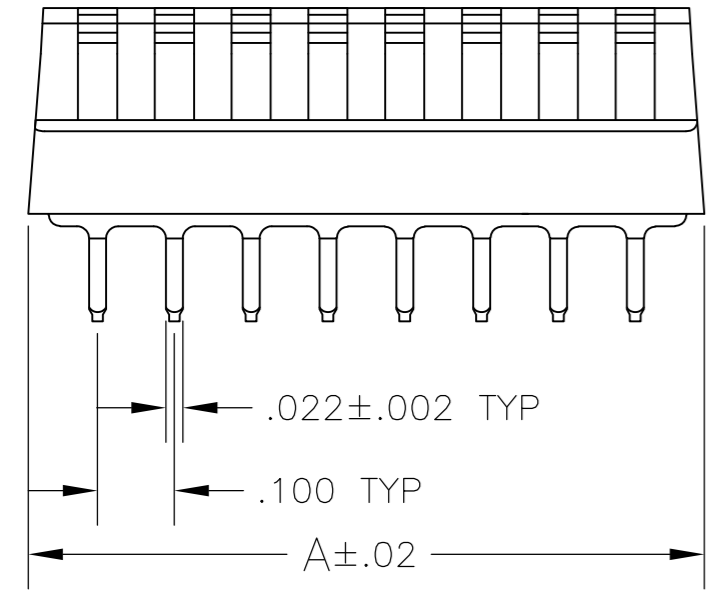
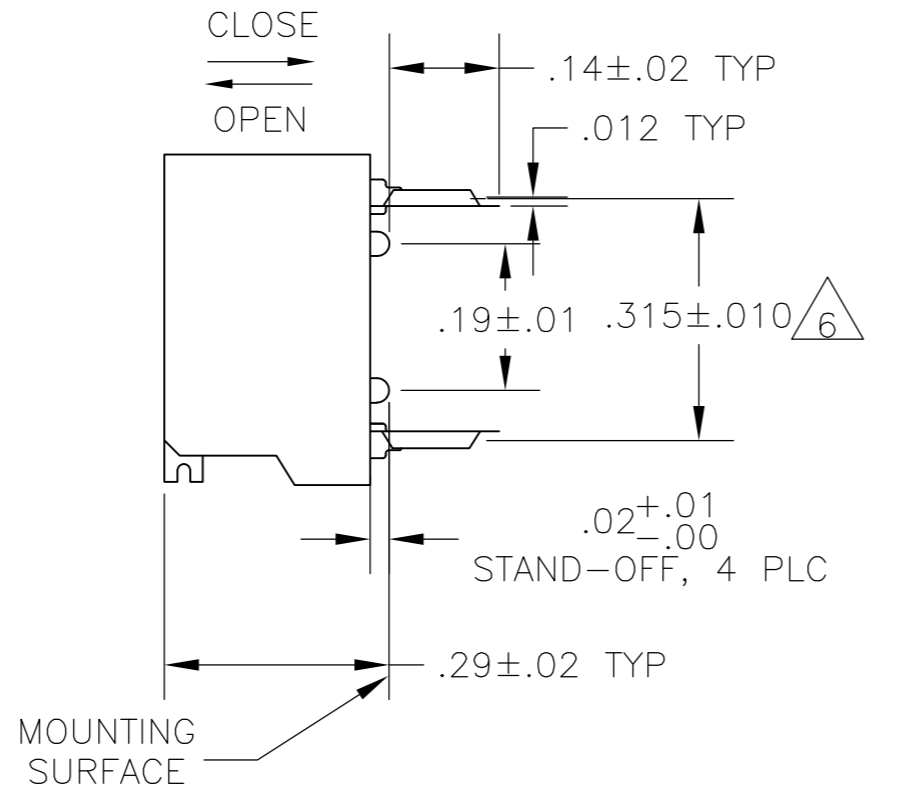
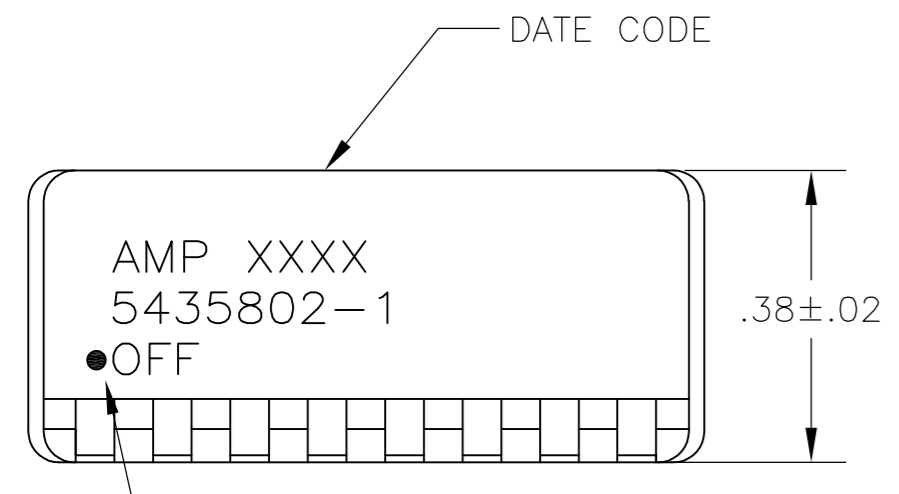


FIG 2

FIG 2	FIG 3A& 7		1.08	10	6-5435802-3
FIG 1	FIG 3B	9	.88	8	3-5435802-8
FIG 2	7 8	5	.88	8	3-5435802-0
FIG 2	7 8	5	.48	4	2-5435802-9
FIG 2	FIG 3A	5	1.28	12	2-5435802-2
FIG 2			1.18	11	2-5435802-1
FIG 2			1.08	10	2-5435802-0
FIG 2			.98	9	1-5435802-9
FIG 2			.78	7	1-5435802-8
FIG 2			.68	6	1-5435802-7
FIG 2			.58	5	1-5435802-6
FIG 2	8		.48	4	1-5435802-5
FIG 2	FIG 3A		1.28	12	1-5435802-2
FIG 1	8		.28	2	1-5435802-0
FIG 2	FIG 3A	5	.88	8	5435802-9
FIG 2			1.08	10	5435802-8
FIG 2			.98	9	5435802-7
FIG 2			.78	7	5435802-6
FIG 2			.68	6	5435802-5
FIG 2			.58	5	5435802-4
FIG 2	8		.48	4	5435802-3
FIG 2	8		.38	3	5435802-2
FIG 2	FIG 3A		.88	8	5435802-1
HOUSING	MARKING	PROT-ECTIVE SEAL	A	NO OF POSN	PART NO

5435802-1 SHOWN

THIS DRAWING IS A CONTROLLED DOCUMENT.

DWN	R. TALLEY	19-9-89
CHK	R. MILLER	19-9-89
APVD	H. LEITER	19-9-89

Tyco Electronics Corporation
Harrisburg, Pa 17105-3608

NAME: SWITCH ASSY, DIP, TYPE C, 7000 SERIES, SPST, SIDE ACTUATED

SIZE	CAGE CODE	DRAWING NO	RESTRICTED TO
A2	00779	C=5435802	-

SCALE: 4:1 SHEET 1 OF 2 REV B

THIS DRAWING IS UNPUBLISHED. RELEASED FOR PUBLICATION
 © COPYRIGHT BY TYCO ELECTRONICS CORPORATION. ALL RIGHTS RESERVED.

LOC	DIST	REVISIONS			
P	LTR	DESCRIPTION	DATE	DWN	APVD
AD	00	SEE SHEET 1	-	-	-

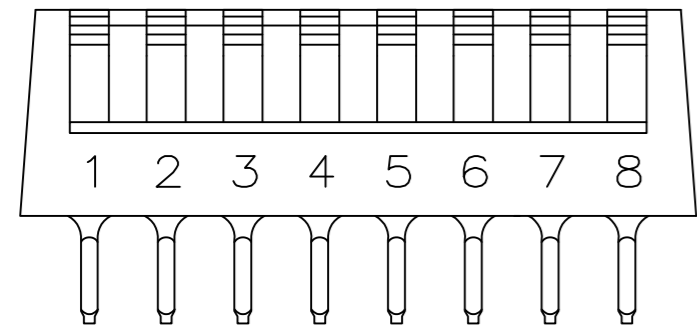


FIG 3A

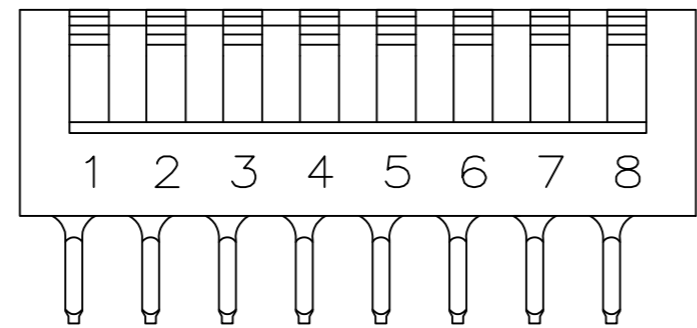


FIG 3B

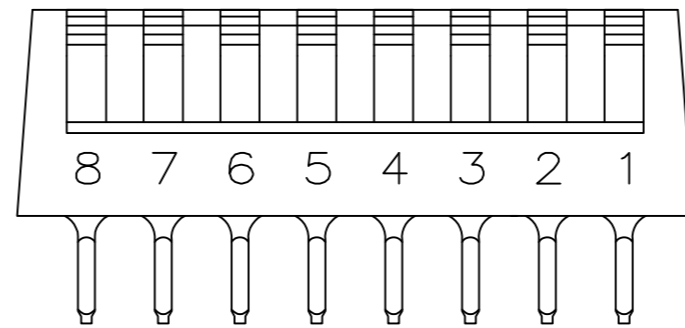
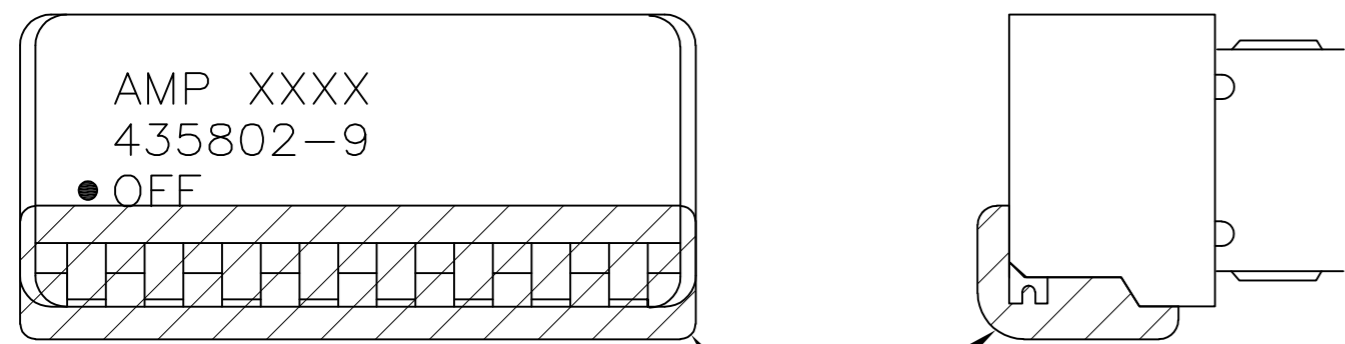
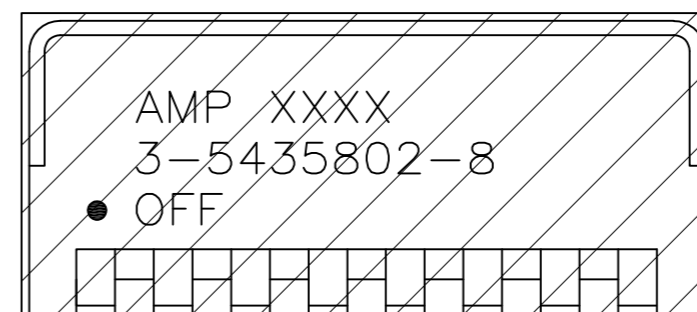


FIG 4



PROTECTIVE SEAL

FIG 6



PROTECTIVE SEAL

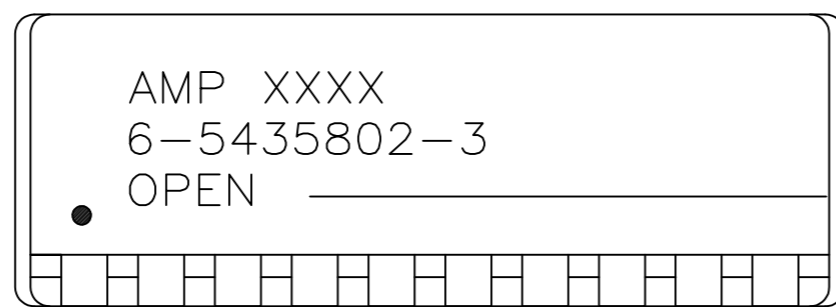


FIG 7

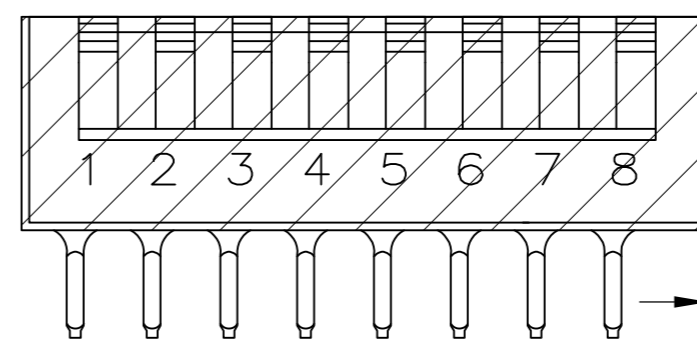


FIG 8

THIS DRAWING IS A CONTROLLED DOCUMENT.		DWN R. TALLEY 19-9-89	Tyco Electronics Corporation Harrisburg, Pa 17105-3608	
DIMENSIONS: INCHES		CHK R. MILLER 19-9-89	NAME SWITCH ASSY, DIP, TYPE C, 7000 SERIES, SPST, SIDE ACTUATED	
TOLERANCES UNLESS OTHERWISE SPECIFIED:		APVD H. LEITER 19-9-89	SIZE A2	CAGE CODE 00779
0 PLC ± -		PRODUCT SPEC	DRAWING NO C=5435802	RESTRICTED TO -
1 PLC ± -		APPLICATION SPEC	SCALE 4:1	SHEET 2 OF 2
2 PLC ± -		WEIGHT -	REV B	
3 PLC ± .005				
4 PLC ± -				
ANGLES ± -				
FINISH SEE SHEET 1				
MATERIAL SEE SHEET 1		CUSTOMER DRAWING		