

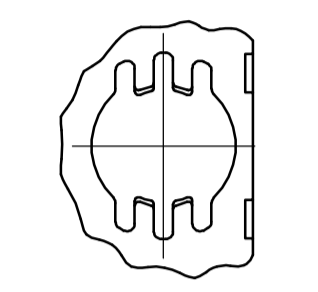
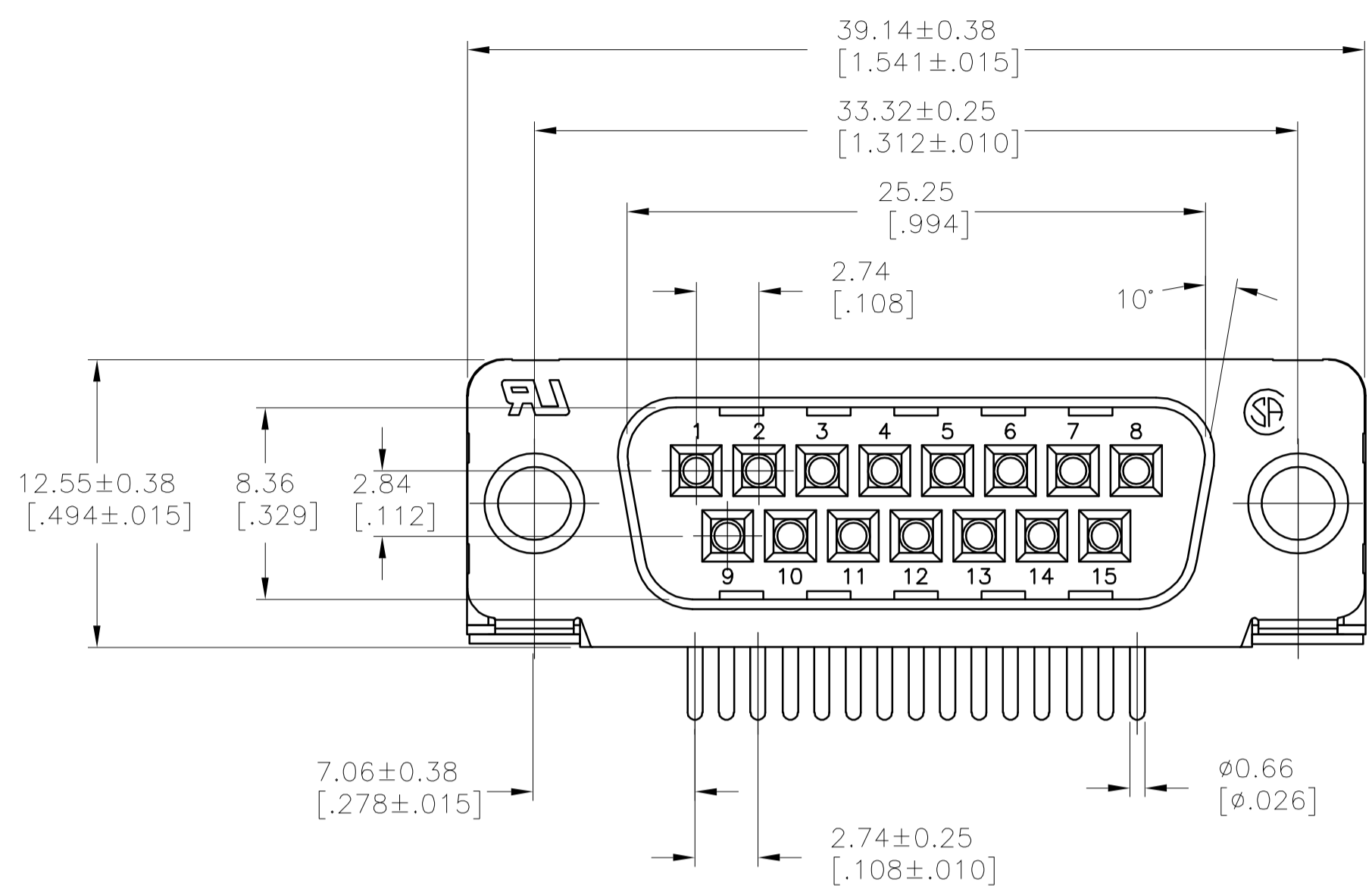
Distributed by:

JAMECO[®]
ELECTRONICS

www.Jameco.com ♦ 1-800-831-4242

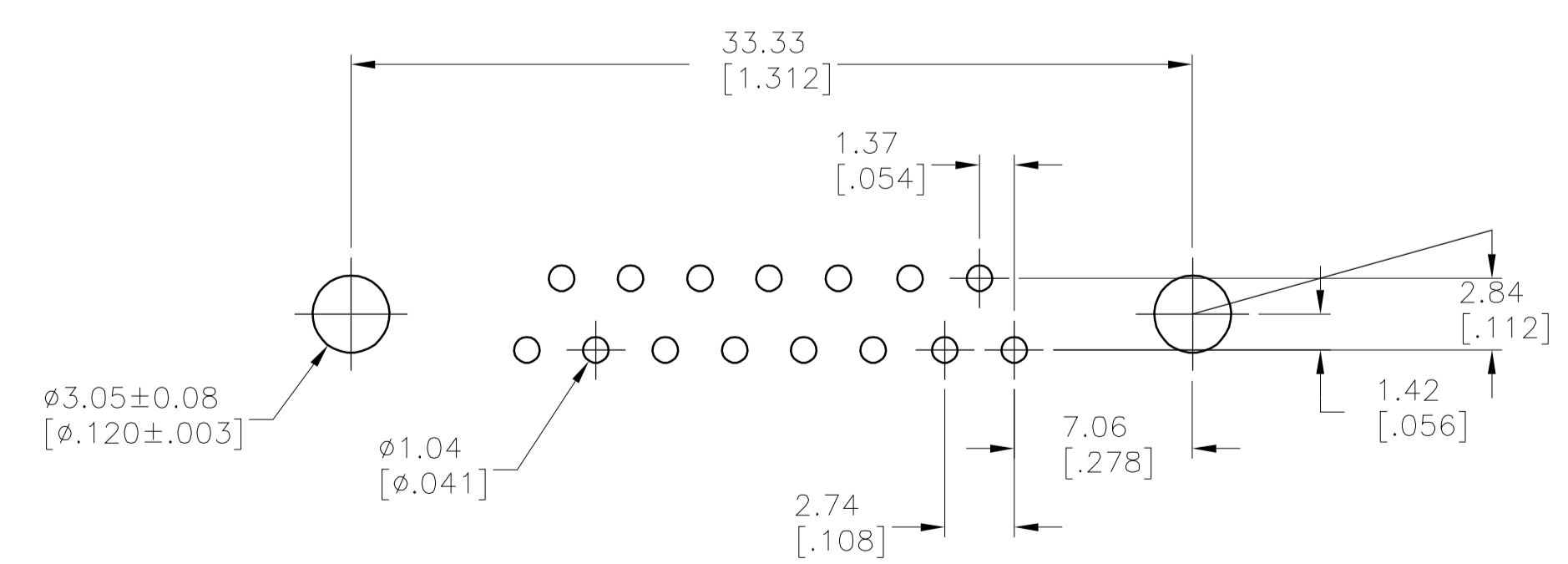
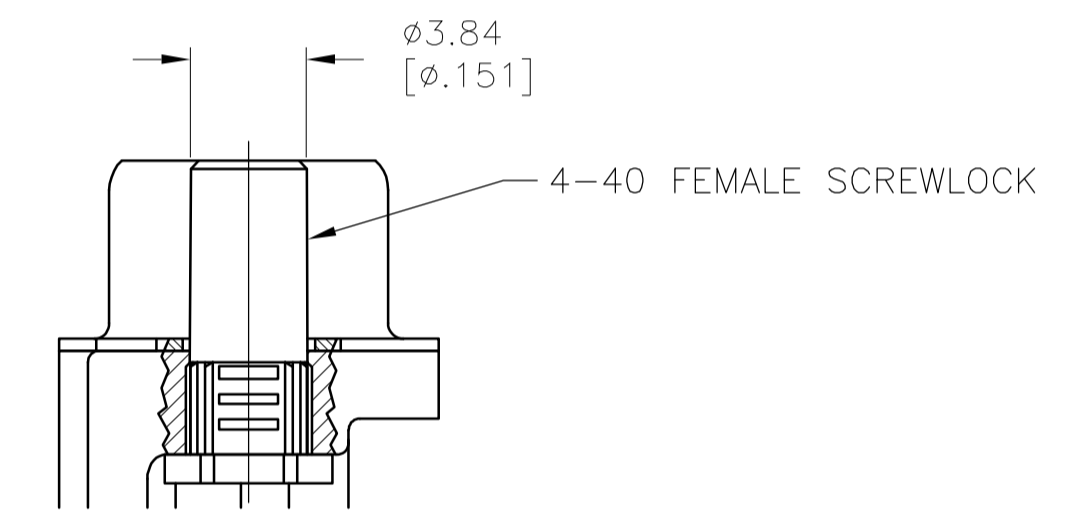
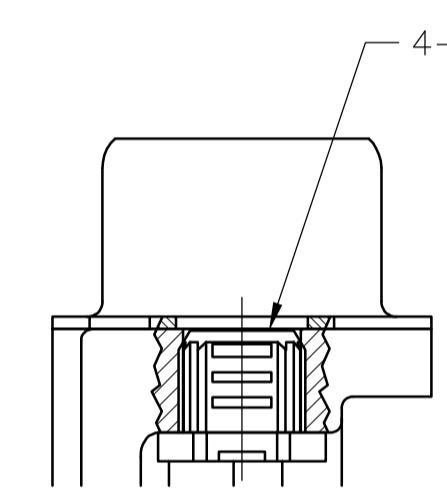
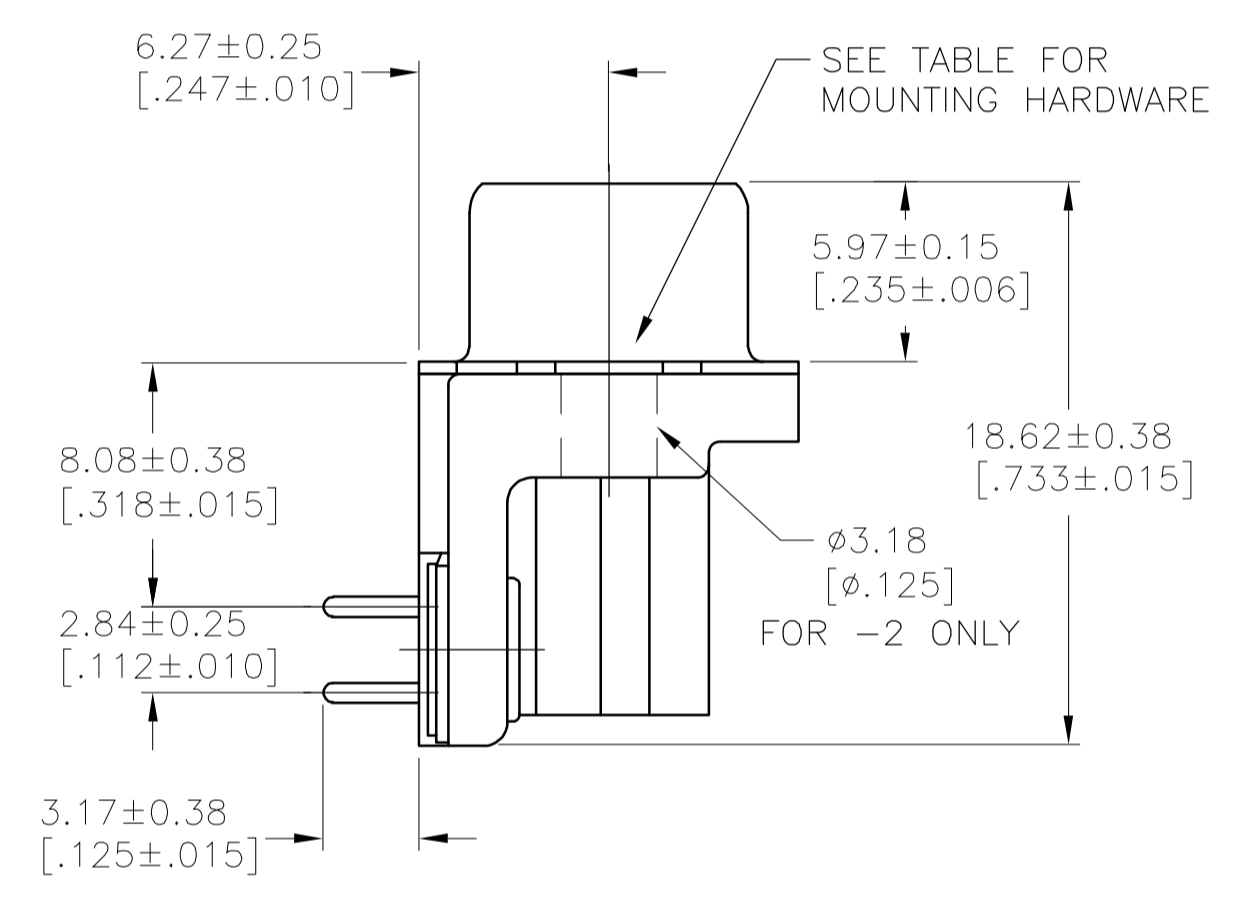
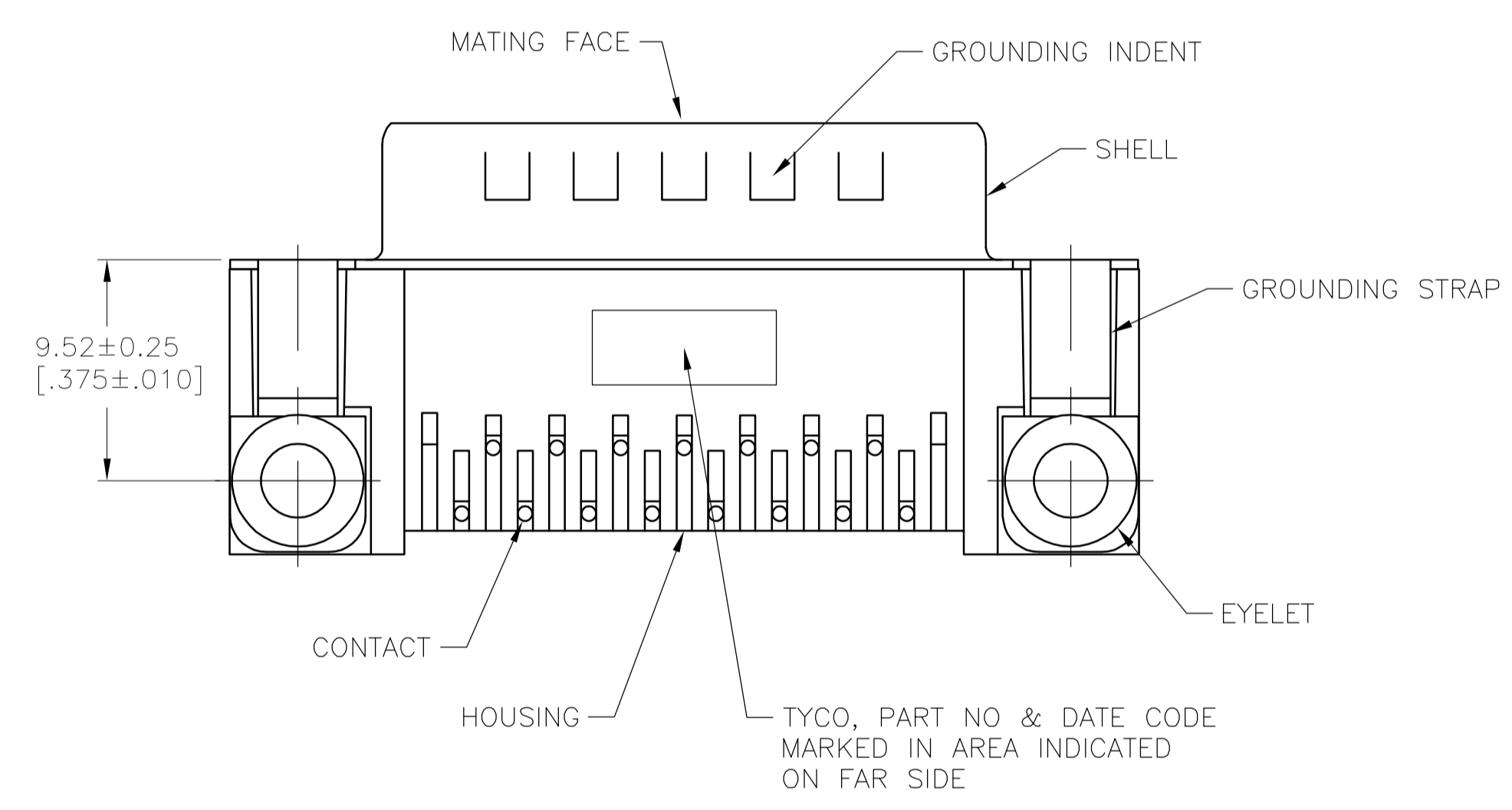
The content and copyrights of the attached
material are the property of its owner.

Jameco Part Number 1932993



△ HOUSING: NYLON OR POLYESTER, FLAME RETARDANT, 94V-0 RATED, COLOR BLACK.
 SHELL: CARBON STEEL.
 CONTACTS: BRASS.
 EYELETS: BRASS.
 INSERTS: ZINC.
 SCREWLOCKS: ZINC.

△ SHELL: 0.00254[.000100] MIN TIN OVER 0.00127[.000050] MIN COPPER.
 CONTACTS: .00076 [.000030] MIN GOLD ON MATING END, .00254 [.000100] MIN TIN ON SOLDER END, ALL OVER .00127 [.000050] MIN NICKEL.
 -OR-
 GOLD FLASH OVER .00076 [.000030] MIN PALLADIUM NICKEL ON MATING END, .00254 [.000100] MIN TIN ON SOLDER END, ALL OVER .00127 [.000050] MIN NICKEL.
 EYELETS: 0.00508[.000200] MIN TIN OVER COPPER FLASH.
 INSERTS: CLEAR CHROMATE.
 SCREWLOCKS: CLEAR CHROMATE.



SEE DETAIL B	5747236-6
SEE DETAIL A	5747236-4
NONE	5747236-2
MOUNTING HARDWARE	PART NUMBER

**COPYRIGHT 2005
 TYCO ELECTRONICS CORP
 ALL RIGHTS RESERVED**

THIS DRAWING IS A CONTROLLED DOCUMENT.		DWG: J.GERACE 14JAN05	Tyco Electronics Corporation Harrisburg, PA 17105-3608
DIMENSIONS: mm [INCHES]		CHK: S.BOLASH 14JAN05	
TOLERANCES UNLESS OTHERWISE SPECIFIED:		APP'D: M.WALMSLEY 14JAN05	NAME: PLUG ASSEMBLY, SIZE 2, 15 POS, RIGHT ANGLE, FRONT METAL SHELL, 8.08[.318] SERIES, AMPLIMITE HD-20
0 PLC ± - 1 PLC ± - 2 PLC ± - 3 PLC ± 0.13[.005] 4 PLC ± - ± ° ANGLES ± - ± °		PRODUCT SPEC: 108-40025 APPLICATION SPEC: 114-40010	
MATERIAL		SIZE: A1	CUSTOMER DRAWING: 00779 SCALE: 4:1 SHEET: 1 OF 1 REV: A