

Distributed by:

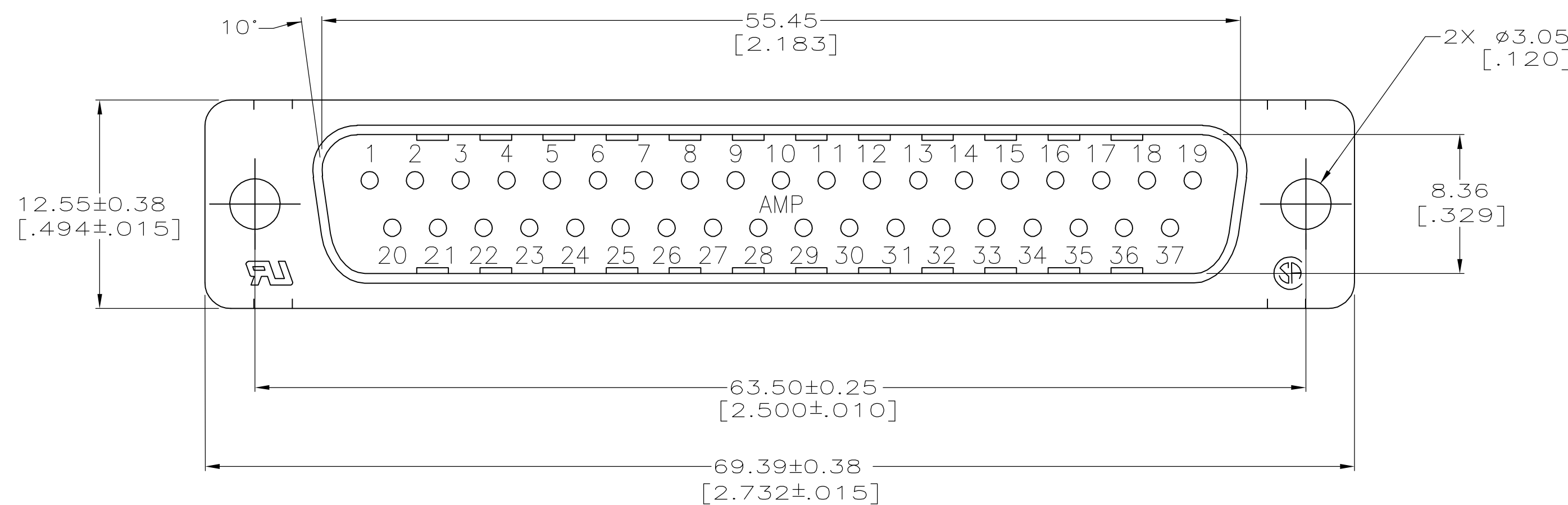
JAMECO[®]
ELECTRONICS

www.Jameco.com ♦ 1-800-831-4242

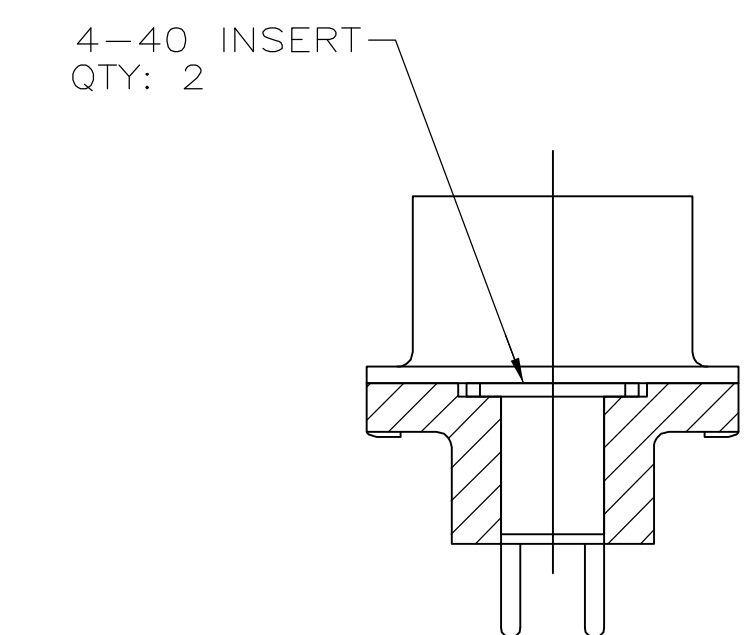
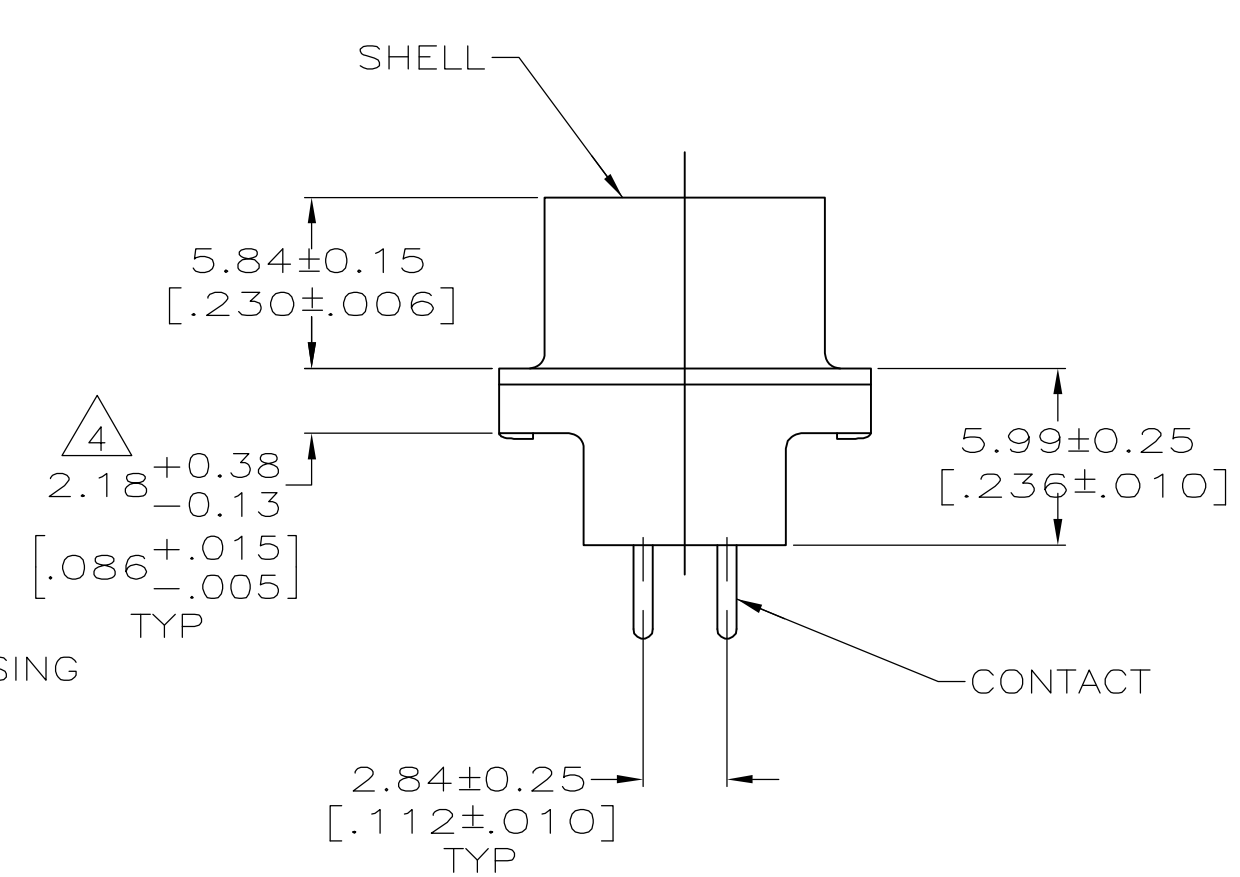
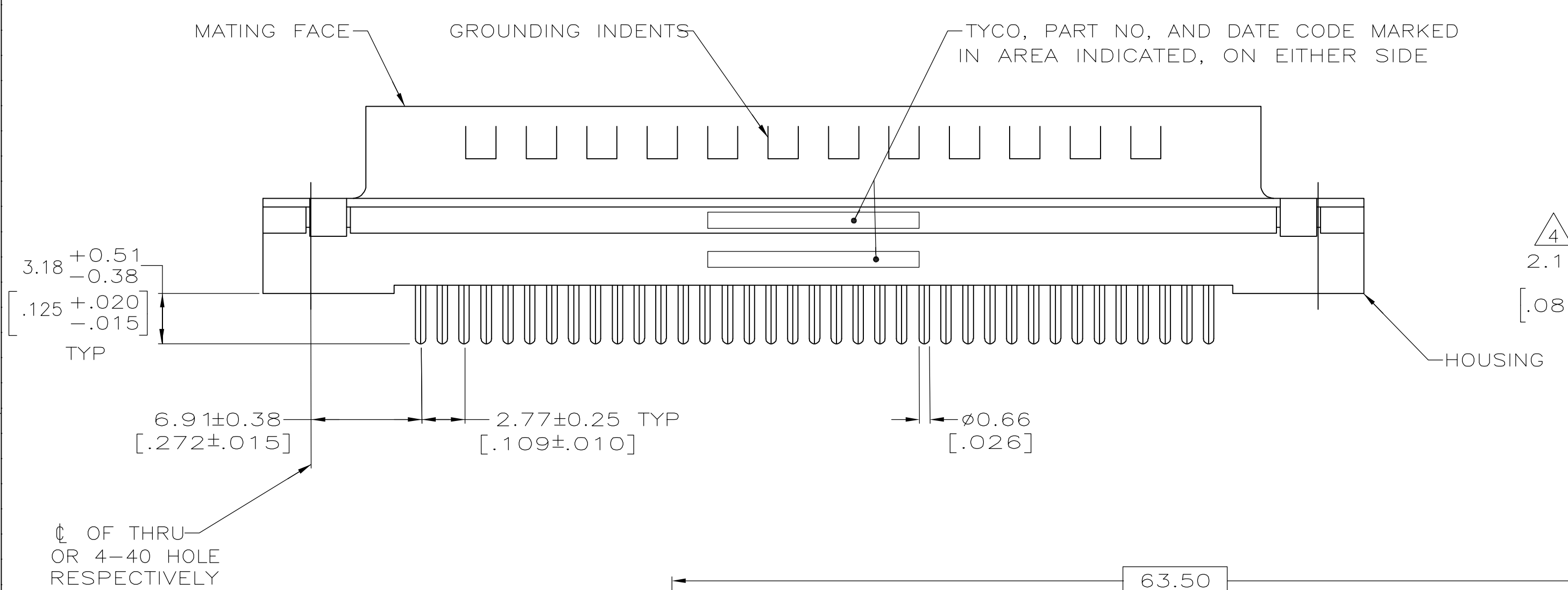
The content and copyrights of the attached
material are the property of its owner.

Jameco Part Number 1933021

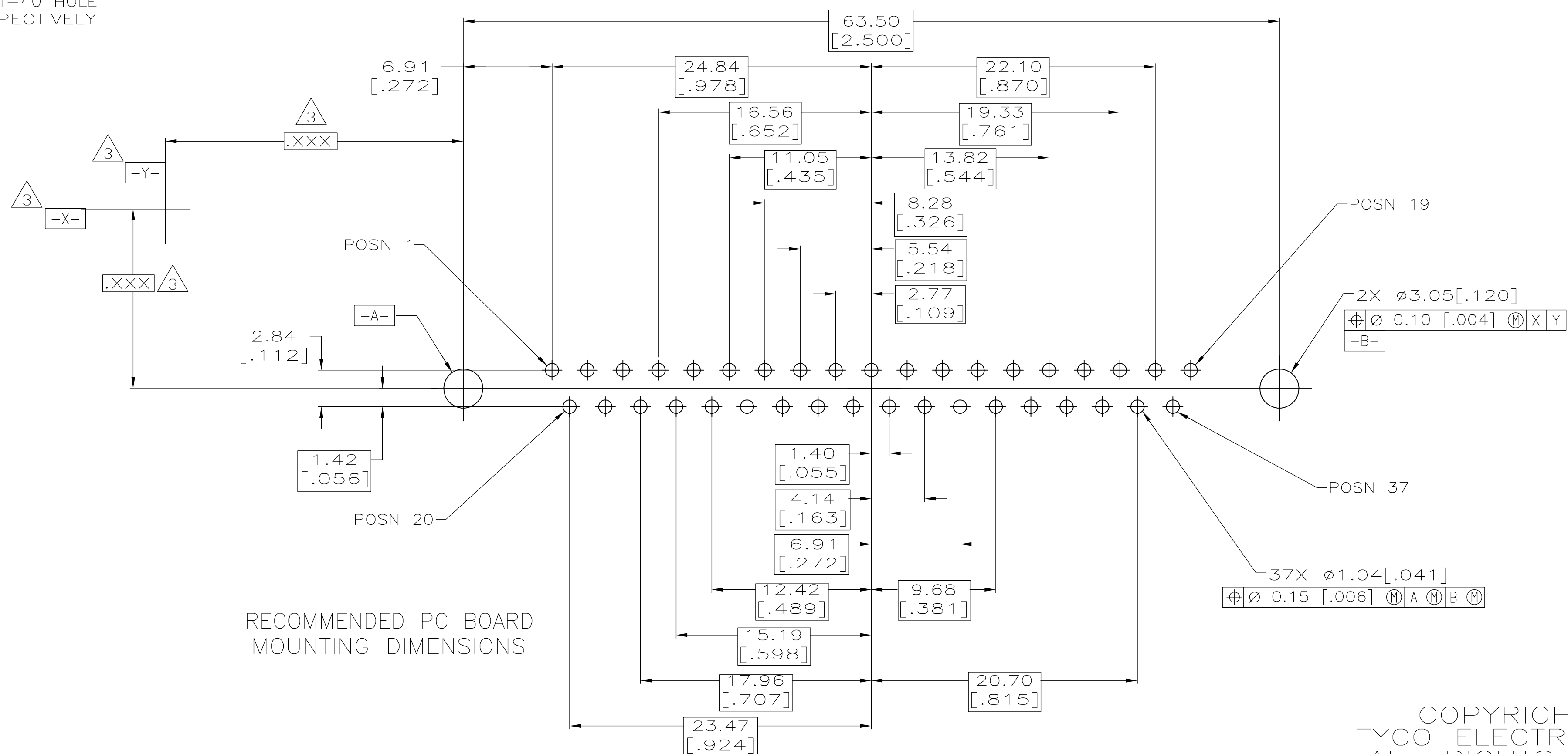
LOC		DIST		REVISIONS			
GP	00	REV	DATE	BY	APPV		
B		REVISED PER ECO-06-028339	3/JAN/07	ZMR	EDB		



- 1 HOUSING: BLACK POLYESTER, UL 94V-0 RATED
CONTACTS: BRASS
SHELL: CARBON STEEL
INSERTS: BRASS
- 2 SHELLS: 5.08µm[.000200] MIN TIN OVER 2.54µm[.000100] MIN COPPER.
CONTACTS: GOLD PLATED FOR A LENGTH OF 3.81 [.150] FROM MATING END, 0.76µm[.000030] MIN GOLD IN MATED AREA, 2.54µm[.000100] MIN TIN ON OPPOSITE END, ALL OVER 1.27µm[.000050] MIN NICKEL.
-OR-
GOLD FLASH OVER PALLADIUM NICKEL PLATED FOR A LENGTH OF 3.81 [.150] FROM MATING END, 0.76µm[.000030] MIN PALLADIUM NICKEL IN MATED AREA, 2.54µm[.000100] MIN TIN ON OPPOSITE END, ALL OVER 1.27µm[.000050] MIN NICKEL.
INSERTS: UNPLATED
- 3 DATUMS AND BASIC DIMENSIONS ESTABLISHED BY CUSTOMERS
- 4 2.79 [.110] MAX IN SHELL TAB CLINCH AREAS



DETAIL D



4-40 INSERT (DETAIL D)	5747375-8
-	5747375-2
MOUNTING HARDWARE	PART NO

THIS DRAWING IS A CONTROLLED DOCUMENT.		DWG: B. LATTUCA 23SEPT05	Tyco Electronics Corporation Harrisburg, PA 17105-3608
DIMENSIONS: mm[INCHES]		CHK: S. BOLASH 23SEPT05	
TOLERANCES UNLESS OTHERWISE SPECIFIED:		APP'D: M. WALMSLEY 23SEPT05	NAME: PLUG ASSEMBLY, SIZE 4, 37 POSITION, VERTICAL, FRONT METAL SHELL, AMPLIMITE HD-20
0 PLC ± -	1 PLC ± -	2 PLC ± 0.13 [.005]	PRODUCT SPEC: 108-40025
3 PLC ± -	4 PLC ± -	ANGLES ± -	APPLICATION SPEC: 114-40023
MATERIAL: 1	FINISH: 2	WEIGHT: -	SIZE: A1
CUSTOMER DRAWING		SCALE: 4:1	SHEET: 1 of 1

COPYRIGHT 2005
 TYCO ELECTRONICS CORP
 ALL RIGHTS RESERVED