

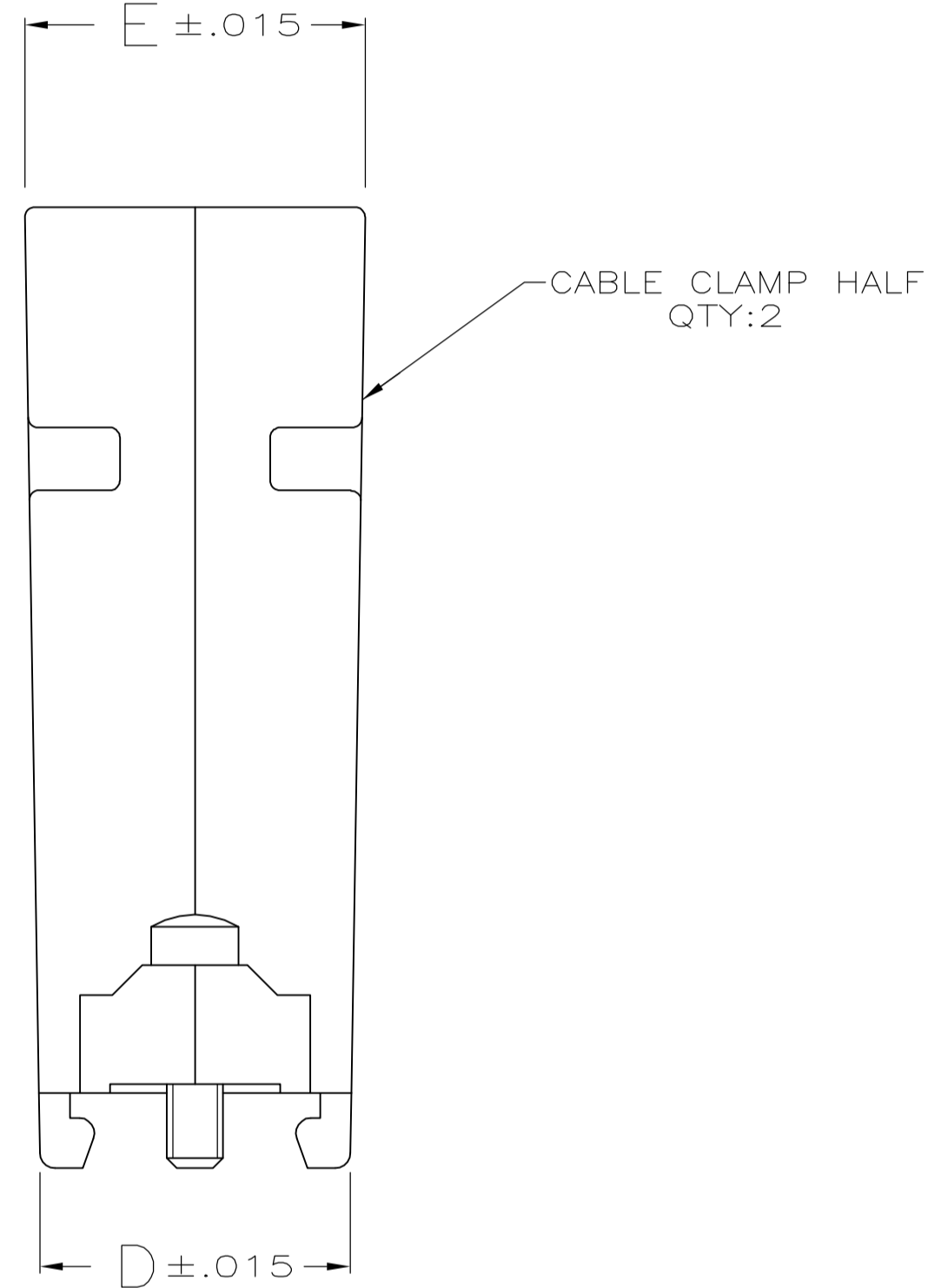
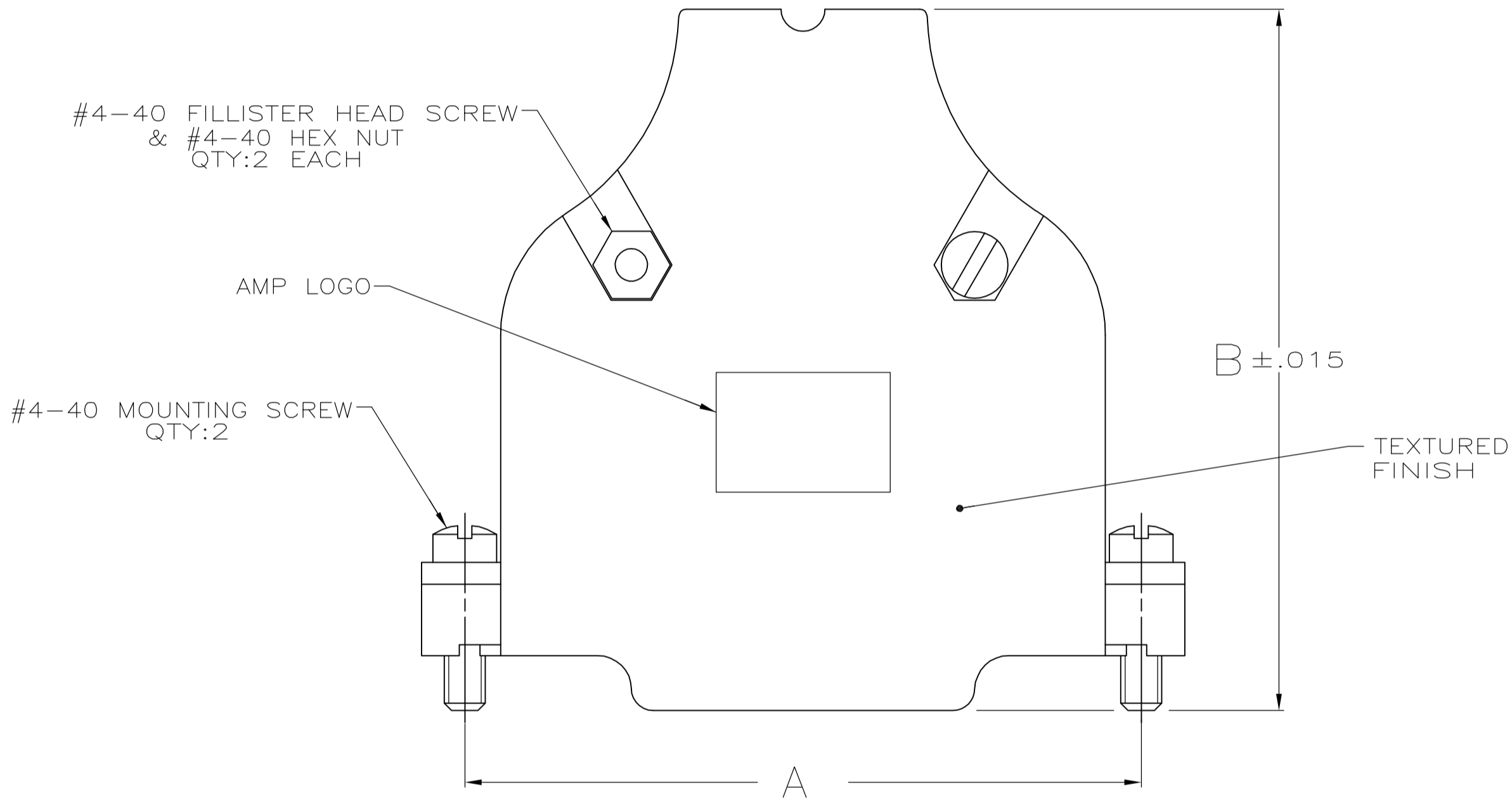
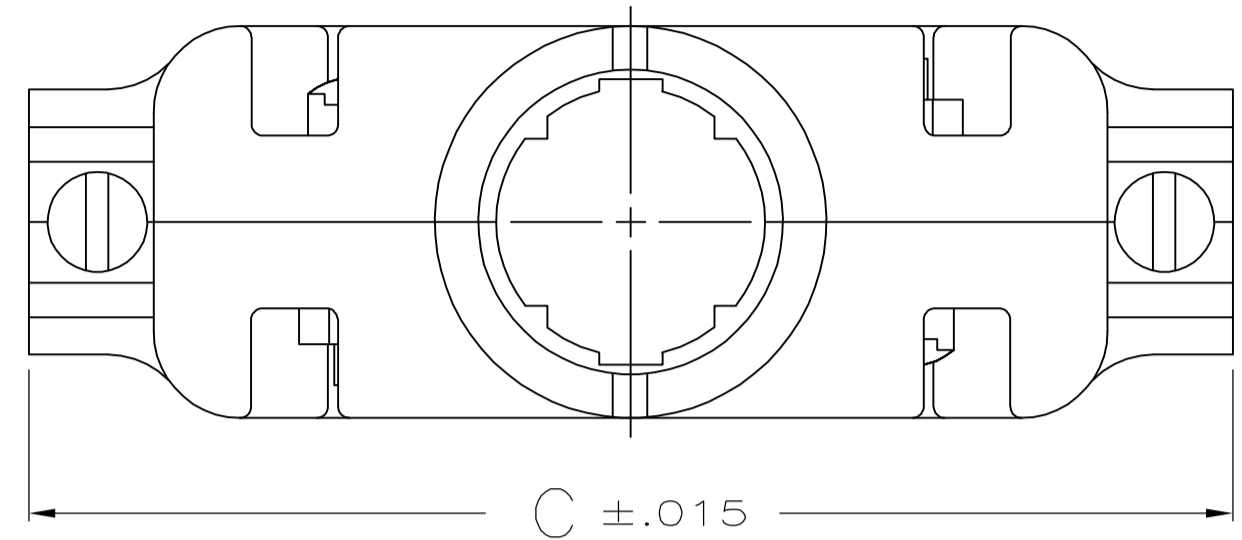
Distributed by:

JAMECO[®]
ELECTRONICS

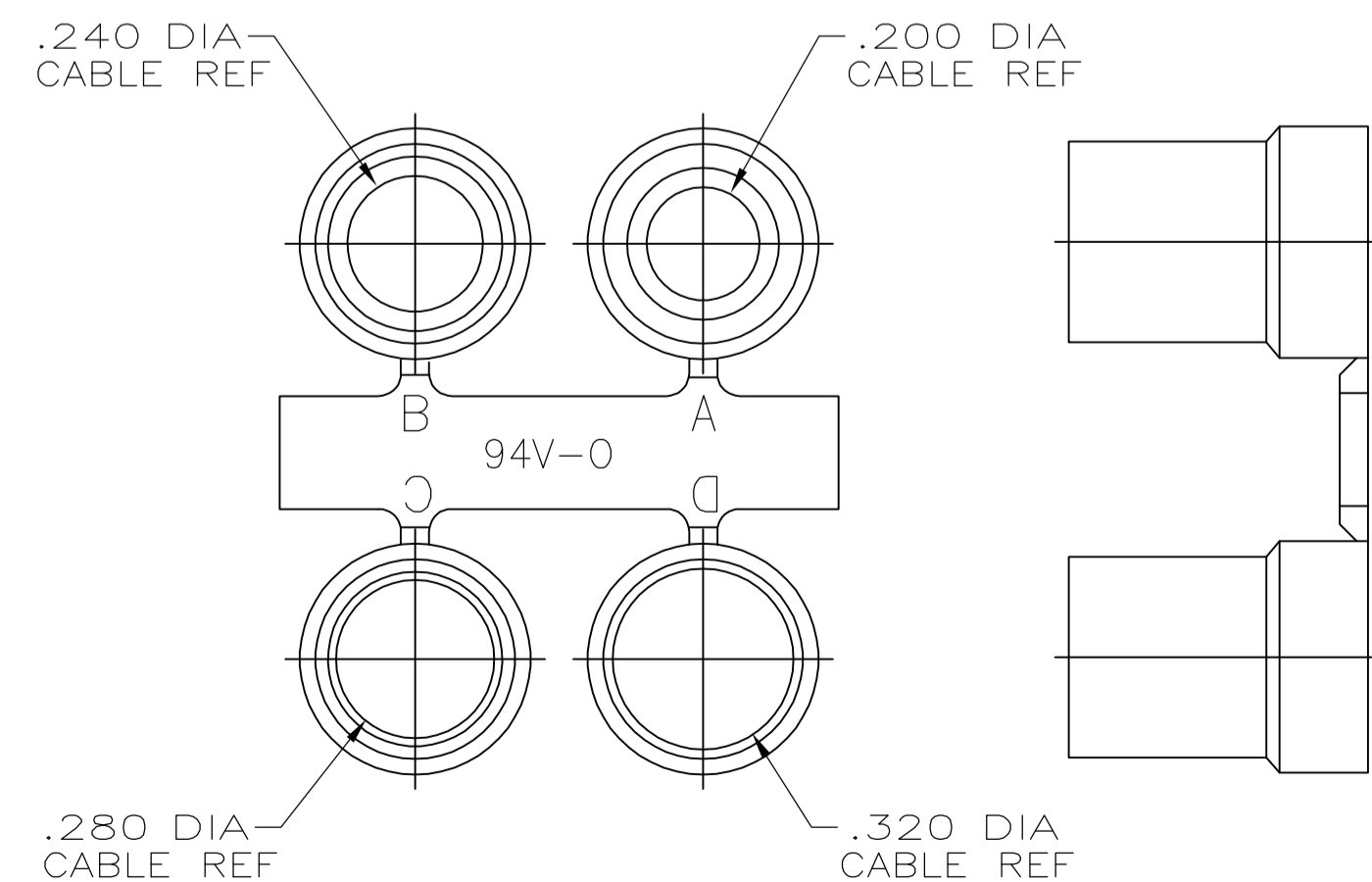
www.Jameco.com ♦ 1-800-831-4242

The content and copyrights of the attached
material are the property of its owner.

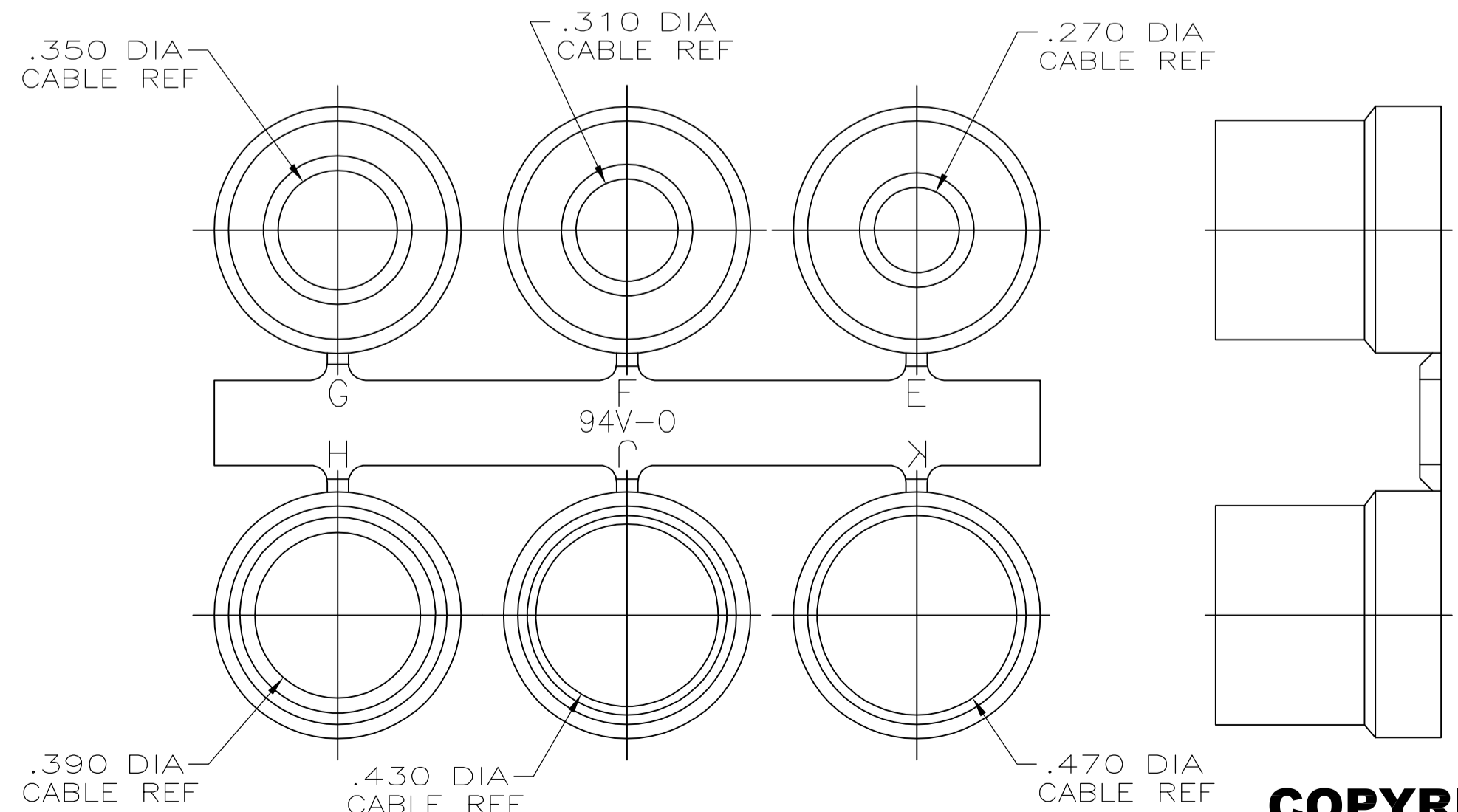
Jameco Part Number 1933110



1. PARTS PACKAGED UNASSEMBLED AS A UNIT KIT.
2. CABLE CLAMP HALVES: ZINC ALLOY, FILLISTER HEAD SCREWS, HEX NUTS & MOUNTING SCREWS: STEEL
GROMMETS: FLEXIBLE PVC, UL 94V-0 RATED, COLOR: BLACK.
3. CABLE CLAMP HALVES: NICKEL OVER COPPER, FILLISTER HEAD SCREWS, HEX NUTS & MOUNTING SCREWS: ZINC PLATED .000200-.000400 THICK, CLEAR CHROMATE COATING.
4. OBSOLETE



GROMMET ASSORTMENT FOR SIZES 1 & 2 ONLY



GROMMET ASSORTMENT FOR SIZES 3, 4 & 5 ONLY

4	BULK PACK	.680	.620	2.090	1.920	1.852	3	5748676-9
	STANDARD	.900	.730	2.644	1.920	2.406	5	5748676-5
	STANDARD	.800	.620	2.738	1.920	2.500	4	5748676-4
	STANDARD	.680	.620	2.090	1.920	1.852	3	5748676-3
	STANDARD	.620	.620	1.545	1.910	1.312	2	5748676-2
	STANDARD	.550	.620	1.215	1.910	.984	1	5748676-1
	PACKAGING	E	D	C	B	A	SIZE	PART NO.

**COPYRIGHT 2005
 TYCO ELECTRONICS CORP
 ALL RIGHTS RESERVED**

THIS DRAWING IS A CONTROLLED DOCUMENT.

DIMENSIONS: INCHES	TOLERANCES UNLESS OTHERWISE SPECIFIED:	DIN D. HENNY 8-17-05		Tyco Electronics Corporation Harrisburg, PA 17105-3608
0 PLC ± -	1 PLC ± -	CHK C. ROHDE 8-17-05		NAME
2 PLC ± -	3 PLC ± .005	APP'D M. WALMSLEY 8-17-05	PRODUCT SPEC	KIT, CABLE CLAMP, 180° EXIT, W/GROMMETS, AMPLIMITE SERIES
4 PLC ± -	ANGLES ± *	FINISH	APPLICATION SPEC	
MATERIAL	FINISH	WEIGHT	SIZE	CAGE CODE
			A1	00779
			DRAWING NO	C=5748676
			RESTRICTED TO	
			CUSTOMER DRAWING	SCALE 1:1 SHEET 1 OF 1 REV A