

Distributed by:

JAMECO[®]
ELECTRONICS

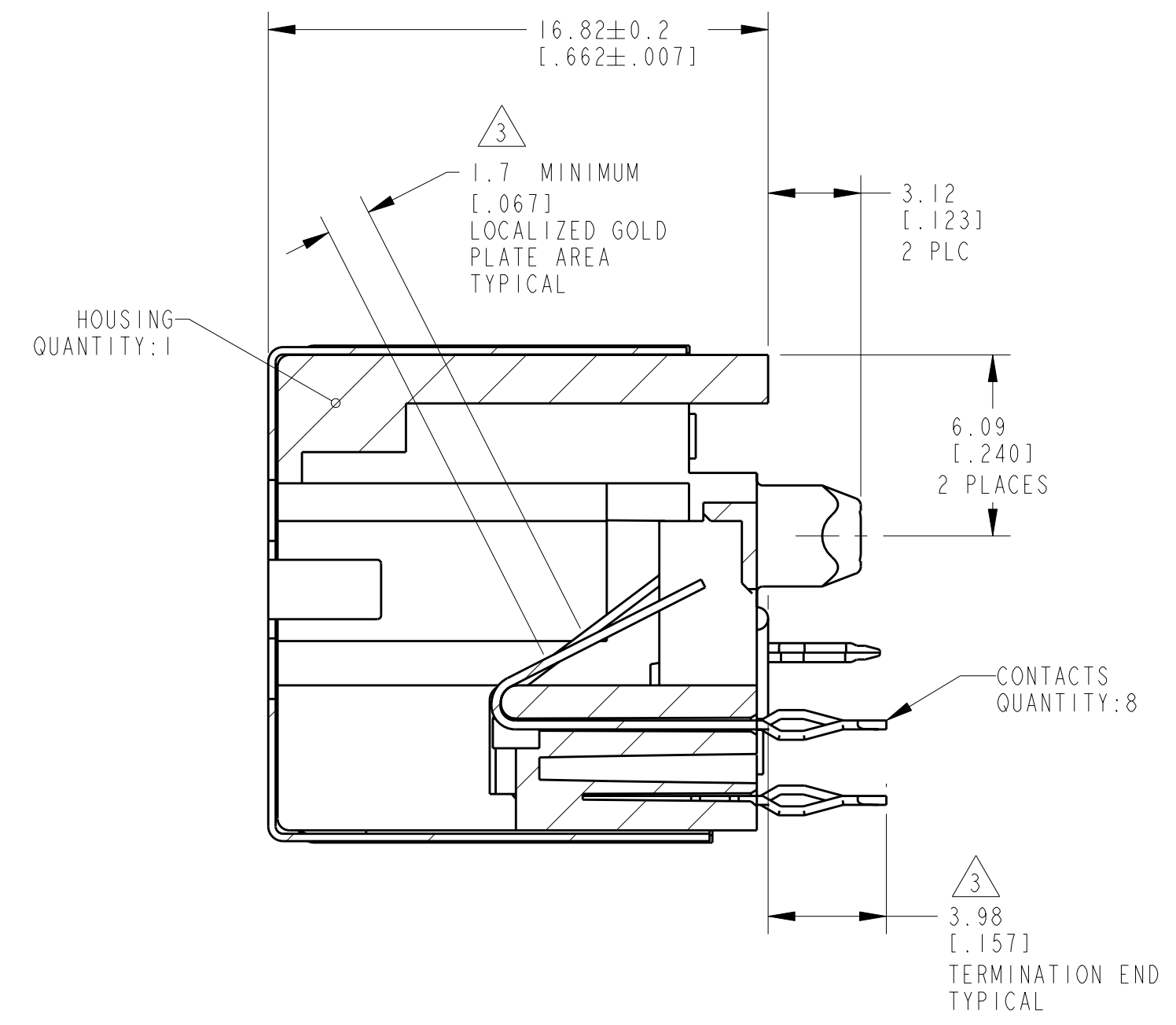
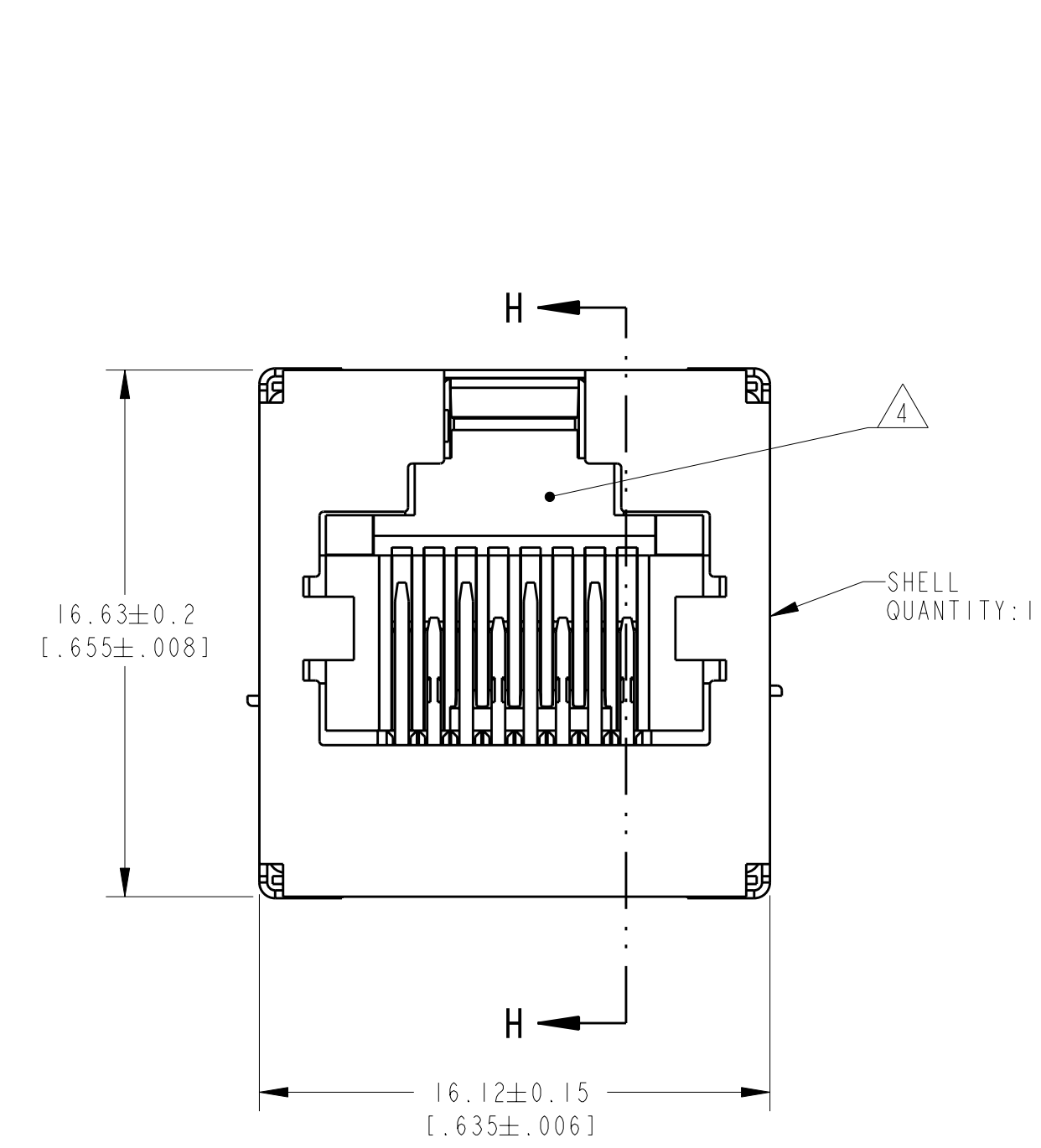
www.Jameco.com ♦ 1-800-831-4242

The content and copyrights of the attached
material are the property of its owner.

Jameco Part Number 1933347

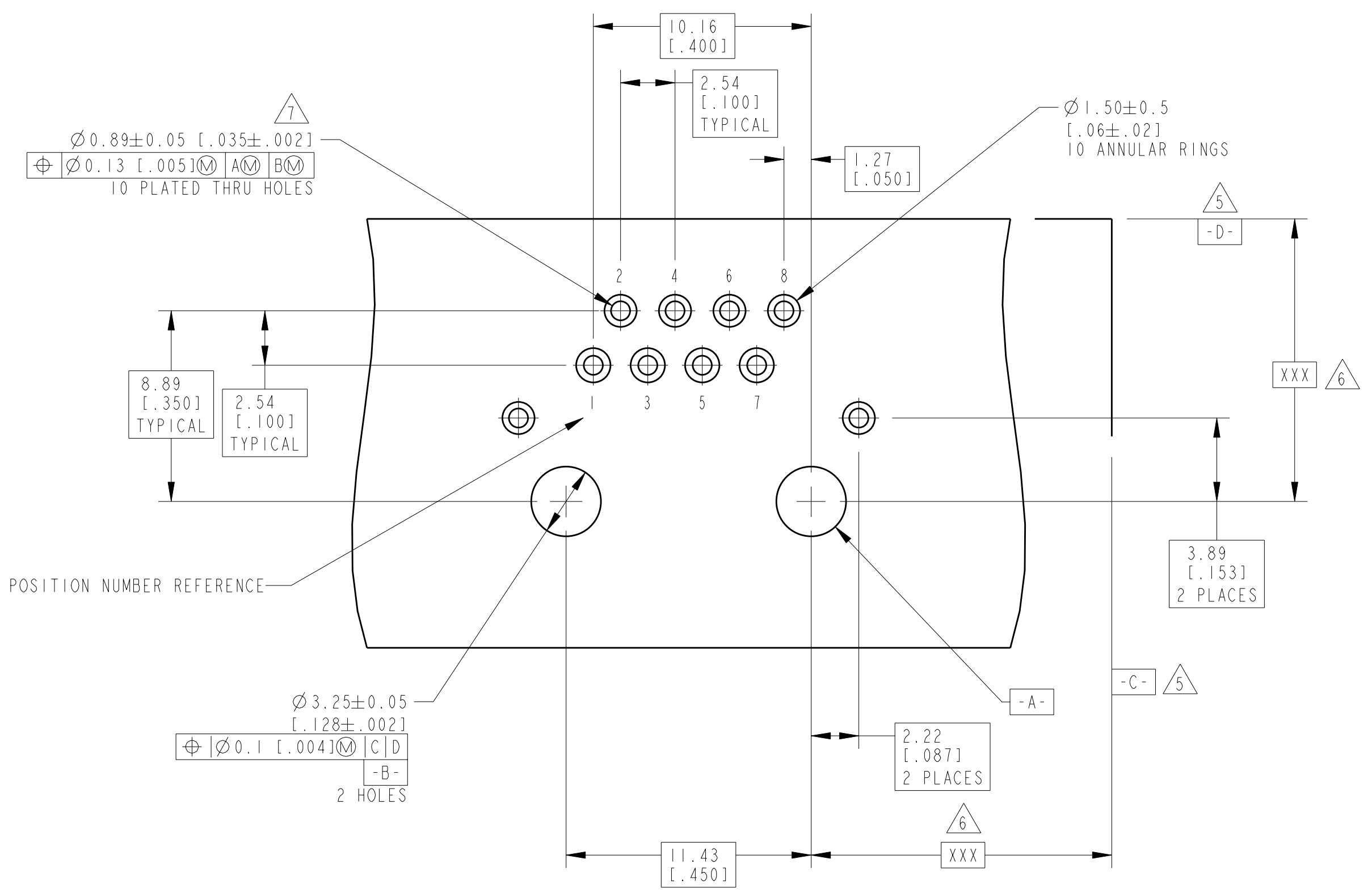
LOC	DIST	REV	DATE	BY	CHK	APPV
AA	22					

REVISIONS				
REV	DESCRIPTION	DATE	BY	APPV
A	ECOS11-0201-04	20APR2005	LAM	JW
B	REV PER ECO-05-014974	02DEC2005	RG	SF
C	REV PER ECO-07-004617	20MAR2007	RG	JW
D	ECO-07-018421	16AUG2007	LAM	JW

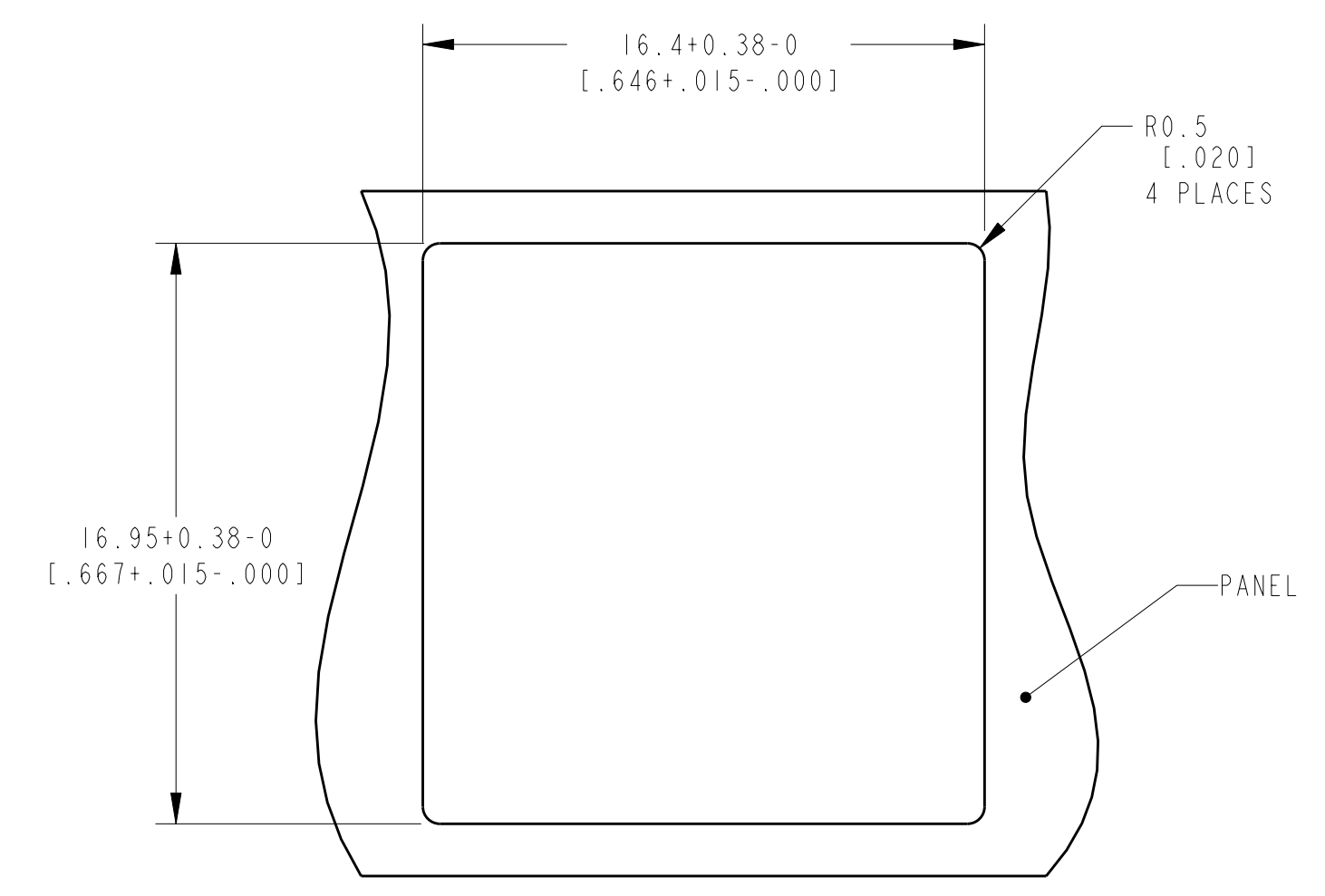
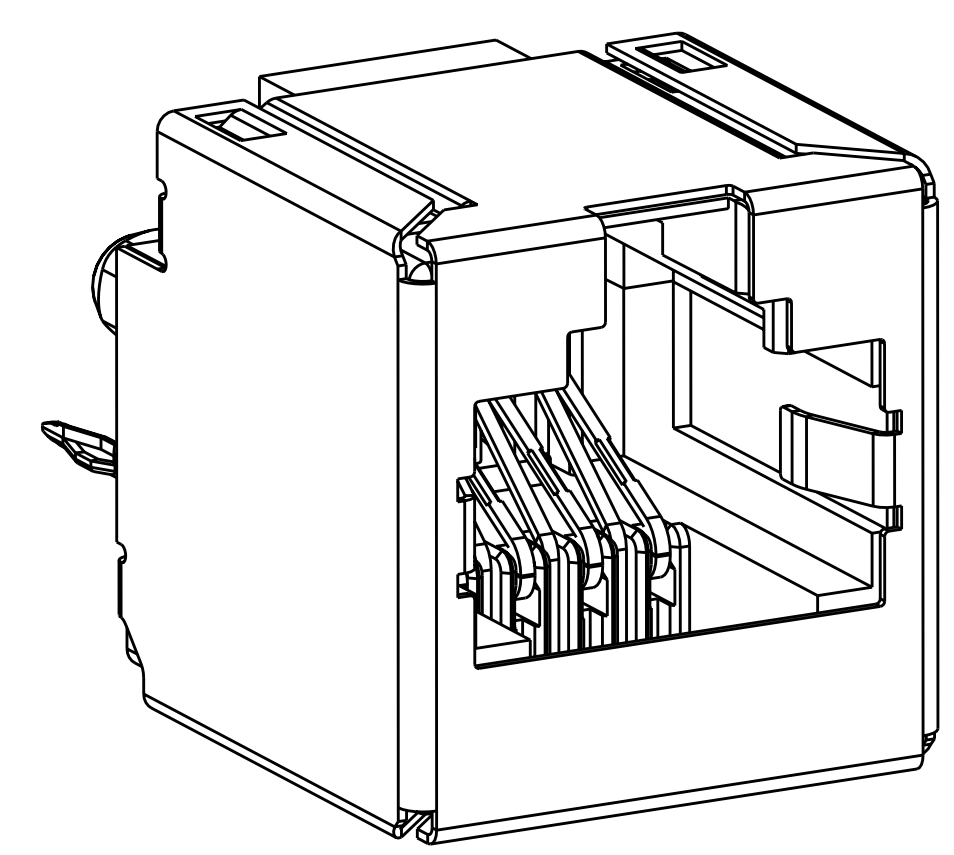


- 1 THERMOPLASTIC.
- 2 PHOSPHOR BRONZE
- 3 1.27 μ m [0.000050] MIN GOLD IN LOCALIZED GOLD PLATE AREA, 2 μ m [0.000079] MIN MATTE TIN ON TERMINATION END, BOTH OVER 1.27 μ m [0.000050] MIN NICKEL.
- 4 CAVITY CONFORMS TO FCC 47 CFR 68 PART F.
- 5 DATUMS ESTABLISHED BY CUSTOMER.
- 6 DIMENSIONS ESTABLISHED BY CUSTOMER.
- 7 DRILLED HOLE DIAMETER 1.02 ± 0.03 [0.040 ± 0.001]. COPPER THK 0.03-0.08 [0.001-0.003]. TIN THICKNESS 8 μ m [0.000315] MIN.
- 8 COPPER ZINC ALLOY
- 9 2.03 μ m [0.000080] MIN BRIGHT TIN OVER 1.27 μ m [0.000050] MIN NICKEL
- 10 PC BOARDS GREATER THAN 1.57 [0.062] IN THICKNESS MAY REQUIRE SPECIAL EXTRACTION TOOLING, CONSULT ENGINEERING.
- 11 PACKAGED 29 PIECES PER TUBE
- 12 PACKAGED 27 PIECES PER TUBE

SECTION H-H



RECOMMENDED PRINTED CIRCUIT BOARD LAYOUT
 RECOMMENDED PRINTED CIRCUIT BOARD THICKNESS 1.4 [0.055] MIN
 COMPONENT SIDE OF PRINTED CIRCUIT BOARD



RECOMMENDED PANEL CUTOUT

FINISH	COLOR	PART NUMBER
1	NATURAL	6116202-3
2	NATURAL	6116202-2
3	BLACK	6116202-1

DIMENSIONS: mm [INCHES] TOLERANCES UNLESS OTHERWISE SPECIFIED: 9 PLC ±0.3 [0.012] 5 PLC ±0.13 [0.005] 4 PLC ±0.1 [0.004] ANGLES ±°		DWN: L. A. MAYER 20APR2005 CHK: J. WESTMAN 20APR2005 APPV: S. FLICKINGER 20APR2005		Tyco Electronics Harrisburg, PA 17105-3608	
MATERIAL: THERMOPLASTIC FINISH: 1, 2, 3		NAME: MODULAR JACK ASSEMBLY, VERTICAL, COMPLIANT PIN, SHIELDED, 8 POSITION, CATEGORY 5 PRODUCT SPEC: 108-1163-6 APPLICATION SPEC: 114-2158		SIZE: A1100779 CAGE CODE: C-6116202 SCALE: 5:1	
WEIGHT: - CUSTOMER DRAWING		SHEET 1 OF 1		REV D	