

Distributed by:

JAMECO[®]
ELECTRONICS

www.Jameco.com ♦ 1-800-831-4242

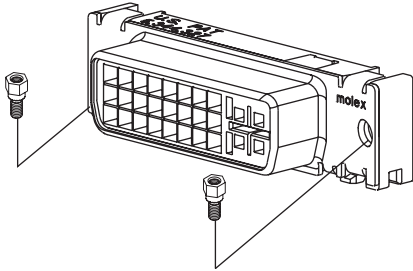
The content and copyrights of the attached
material are the property of its owner.

Jameco Part Number 1933873

MicroCross™ DVI-A Analog Visual Interface Receptacle Header and Hardware

74320

Panel Mount Through Hole Vertical



Order No.	Plating	Lead-free
74320-3008	30µ" Gold	Yes
74320-3009	Gold Flash	

Please contact Molex for additional tail length options

Features and Benefits

- Supports analog signal and offers excellent EMI/RFI performance
- Plug and play interface
- LFH™ contact design is rugged and reliable
- DDWG DVI standard interface compliant
- The MicroCross coaxial section supports a high bandwidth up to 2.5 GHz analog signal
- Selectively loaded circuits reduce cost

Reference Information

Product Specification: PS-74320-001
Packaging: Tray
UL File No.: E29179
CSA File No.: LR19980
Mates with: 88741, 74323 and other plug components
Designed In: Inches

Electrical

Voltage: 40V
Current: 3.0A
Contact Resistance: 20 milliohms max.
Dielectric Withstanding Voltage: 500V
Insulation Resistance: 1000 Megohms min.

Mechanical

Contact Retention to Housing: 1 lb. min.
Insertion Force to PCB: 10 lb. max.
Mating Force: 10 lb. max.
Unmating Force: 2.2 lb. min.
Durability: 100 cycles

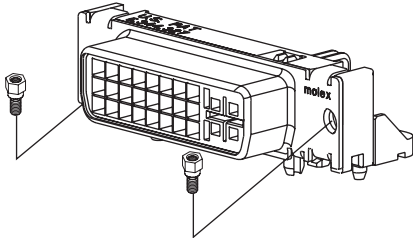
Physical

Housing: Glass-filled thermoplastic, UL 94V-0
Contact: Copper Alloy
Plating: Contact—30µ" Gold or Gold flash in contact area and 100µ" or 150µ" Tin in tail area over Nickel overall
Shields—100µ" bright Tin over Copper overall
Operating Temperature: -20 to +85°C

MicroCross™ DVI-A Analog Visual Interface Receptacle Header and Hardware

74320

Panel Mount Through Hole Right Angle



Order No.	Plating	Lead-free
74320-1008	30µ" Gold	Yes
74320-1009	Gold Flash	

Please contact Molex for additional tail length options

Features and Benefits

- Supports analog signal and offers excellent EMI/RFI performance
- Plug and play interface
- LFH™ contact design is rugged and reliable
- DDWG DVI standard interface compliant
- The MicroCross coaxial section supports a high bandwidth up to 2.5 GHz analog signal
- Selectively loaded circuits reduce cost

Reference Information

Product Specification: PS-74320-001
Packaging: Tray
UL File No.: E29179
CSA File No.: LR19980
Mates with: 88741, 74323 and other plug components
Designed In: Inches

Electrical

Voltage: 40V
Current: 3.0A
Contact Resistance: 20 milliohms max.
Dielectric Withstanding Voltage: 500V
Insulation Resistance: 1000 Megohms min.

Mechanical

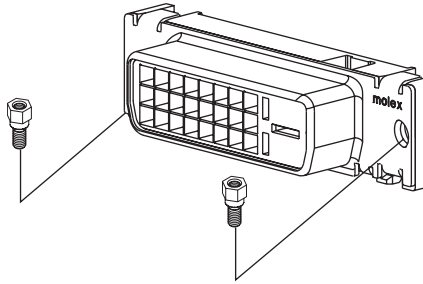
Contact Retention to Housing: 1 lb. min.
Insertion Force to PCB: 10 lb. max.
Mating Force: 10 lb. max.
Unmating Force: 2.2 lb. min.
Durability: 100 cycles

Physical

Housing: Glass-filled thermoplastic, UL 94V-0
Contact: Copper Alloy
Plating: Contact—30µ" Gold or Gold flash in contact area and 100µ" or 150µ" Tin in tail area over Nickel overall
Shields—100µ" bright Tin over Copper overall
Operating Temperature: -20 to +85°C

MicroCross™ DVI-D Digital Visual Interface Receptacle Header and Hardware

74320 Panel Mount Through Hole Vertical



Order No.	Plating	Lead-free
74320-5000	30µ" Gold	Yes
74320-5004	Gold Flash	

Features and Benefits

- Supports digital signals and offers excellent EMI/RFI performance
- Plug and play interface
- LFH™ contact design is rugged and reliable
- DDWG DVI standard interface
- Supports 4.95 Gbps over a single link and 9.9 Gbps performance over a dual link implementation
- Narrow key slot for polarization

Reference Information

Product Specification: PS-74320-001
 Packaging: Tray
 UL File No.: E29179
 CSA File No.: LR19980
 Mates with: Versions of 88741, 74323 and other plug components
 Designed In: Inches

Electrical

Voltage: 40V
 Current: 3.0A
 Contact Resistance: 20 milliohms max.
 Dielectric Withstanding Voltage: 500V
 Insulation Resistance: 1,000 Megohms min.

Mechanical

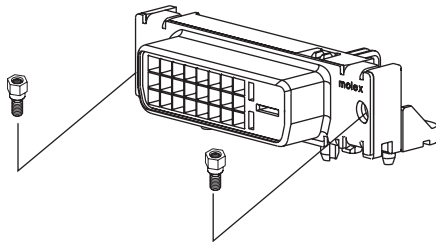
Contact Retention to Housing: 1 lb. min.
 Insertion Force to PCB: 10 lb. max.
 Mating Force: 10 lb. max.
 Unmating Force: 2.2 lb. min.
 Durability: 100 cycles

Physical

Housing: Glass-filled thermoplastic, UL 94V-0
 Contact: Copper Alloy
 Plating: Contact—30µ" Gold or Gold flash in contact area and 100µ" or 150µ" Tin in tail area over Nickel overall
 Shields—100µ" bright Tin over Copper overall
 Operating Temperature: -20 to +85°C

MicroCross™ DVI-D Digital Visual Interface Receptacle Header and Hardware

74320 Panel Mount Through Hole Right Angle



Order No.	Plating	Lead-Free
74320-4000	30µ" Gold	Yes
74320-4004	Gold Flash	

Please contact Molex for additional tail length options

Features and Benefits

- Supports digital signals and offers excellent EMI/RFI performance
- Plug and play interface
- LFH™ contact design is rugged and reliable
- DDWG DVI standard interface
- Supports 4.95 Gbps over a single link and 9.9 Gbps performance over a dual link implementation
- Narrow key slot for polarization

Reference Information

Product Specification: PS-74320-001
 Packaging: Tray
 UL File No.: E29179
 CSA File No.: LR19980
 Mates With: Versions of 88741, 74323 and other plug components
 Designed In: Inches

Electrical

Voltage: 40V
 Current: 3.0A
 Contact Resistance: 20 milliohms max.
 Dielectric Withstanding Voltage: 500V
 Insulation Resistance: 1000 Megohms min.

Mechanical

Contact Retention to Housing: 1 lb. min.
 Insertion Force to PCB: 10 lb. max.
 Mating Force: 10 lb. max.
 Unmating Force: 2.2 lb. min.
 Durability: 100 cycles

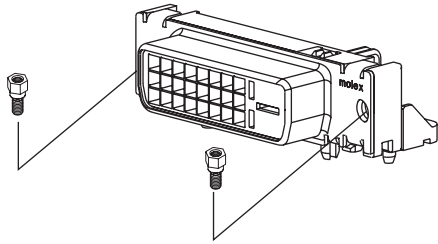
Physical

Housing: Glass-filled thermoplastic, UL 94V-0
 Contact: Copper Alloy
 Plating: Contact—30µ" Gold or Gold flash in contact area and 100µ" or 150µ" Tin in tail area over Nickel overall
 Shields—100µ" bright Tin over Copper overall
 Operating Temperature: -20 to +85°C

MicroCross™ DVI-D Digital Visual Interface Receptacle Header and Hardware

74320

Panel Mount Through Hole Right Angle ATX with Forklocks



Order No.	Plating	Lead-free
74320-9000	30µ" Gold	Yes
74320-9004	Gold Flash	

Please contact Molex for additional tail length options

Features and Benefits

- Supports digital signals and offers excellent EMI/RFI performance
- Plug and play interface
- LFH™ contact design is rugged and reliable
- DDWG DVI standard interface
- Supports 4.95 Gbps over a single link and 9.9 Gbps performance over a dual link implementation
- Narrow key slot for polarization

Reference Information

Product Specification: PS-74320-001
Packaging: Tray
UL File No.: E29179
CSA File No.: LR19980
Mates with: Versions of 88741, 74323 and other plug components
Designed In: Inches

Electrical

Voltage: 40V
Current: 3.0A
Contact Resistance: 20 milliohms max.
Dielectric Withstanding Voltage: 500V
Insulation Resistance: 1,000 Megohms min.

Mechanical

Contact Retention to Housing: 1 lb. min.
Insertion Force to PCB: 10 lb. max.
Mating Force: 10 lb. max.
Unmating Force: 2.2 lb. min.
Durability: 100 cycles

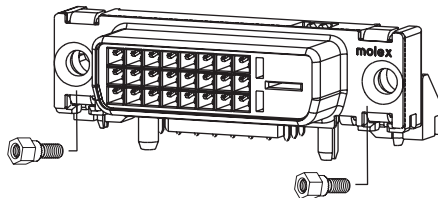
Physical

Housing: Glass-filled thermoplastic, UL 94V-0
Contact: Copper Alloy
Plating: Contact—30µ" Gold or Gold flash in contact area and 100µ" or 150µ" Tin in tail area over Nickel overall
Shields—100µ" bright Tin over Copper overall
Operating Temperature: -20 to +85°C

MicroCross™ DVI-D Digital Visual Interface Receptacle Header and Hardware

74320

Panel Mount Through Hole Extended Height Right Angle



Order No.	Plating	Lead-free
74320-2010	Gold Flash	Yes
74320-2011	30µ" Gold	

Please contact Molex for additional tail length options

Features and Benefits

- Supports digital signals and offers excellent EMI/RFI performance
- Plug and play interface
- LFH™ contact design is rugged and reliable
- DDWG DVI standard interface
- Supports 4.95 Gbps over a single link and 9.9 Gbps over a dual link implementation
- Narrow key slot for polarization

Reference Information

Product Specification: PS-74320-001
Packaging: Tray
UL File No.: E29179
CSA File No.: LR19980
Mates with: Versions of 88741, 74323 and other plug components
Designed in: Inches

Electrical

Voltage: 40V
Current: 3.0A
Contact Resistance: 20 milliohms max.
Dielectric Withstanding Voltage: 500V
Insulation Resistance: 1000 Megohms min.

Mechanical

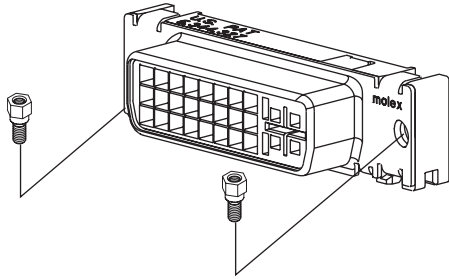
Contact Retention to Housing: 1 lb min.
Insertion Force to PCB: 10 lb max.
Mating Force: 10 lb max.
Unmating Force: 2.2 lb min.
Durability: 100 cycles

Physical

Housing: Glass-filled thermoplastic, UL 94V-0
Contact: Copper Alloy
Plating: Contact—30µ" Gold or Gold flash in contact area and 100µ" or 150µ" Tin in tail area over Nickel overall
Shields—100µ" bright Tin over Copper overall
Operating Temperature: -20 to +85°C

MicroCross™ DVI-I Digital/Analog Visual Interface Receptacle Header and Hardware

74320 Panel Mount Through Hole Vertical



Order No.	Plating	Lead-free
74320-3000	30µ" Gold	Yes
74320-3004	Gold Flash	

Please contact Molex for additional tail length options

Features and Benefits

- Supports both analog and digital signals
- Plug and play interface
- Excellent EMI/RFI performance
- LFH™ contact design is rugged and reliable
- DDWG DVI standard interface
- The digital section supports 4.95 Gbps over a single link and 9.9 Gbps over a dual link.
- The MicroCross coax section supports a high-bandwidth of up to 2.5 GHz analog signal

Reference Information

Product Specification: PS-74320-001
Packaging: Tray
UL File No.: E29179
CSA File No.: LR19980
Mates with: 88741, 74323 and other plug components
Designed In: Inches

Electrical

Voltage: 40V
Current: 3.0A
Contact Resistance: 20 milliohms max.
Dielectric Withstanding Voltage: 500V
Insulation Resistance: 1000 Megohms min.

Mechanical

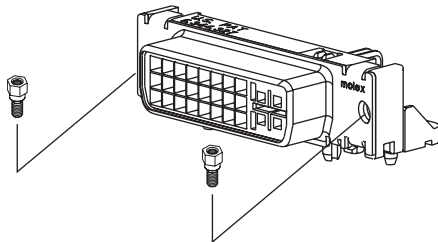
Contact Retention to Housing: 1 lb. min.
Insertion Force to PCB: 10 lb. max.
Mating Force: 10 lb. max.
Unmating Force: 2.2 lb. min.
Durability: 100 cycles

Physical

Housing: Glass-filled thermoplastic, UL 94V-0
Contact: Copper Alloy
Plating: Contact—30µ" Gold or Gold flash in contact area and 100µ" or 150µ" Tin in tail area over Nickel overall
Shields—100µ" bright Tin over Copper overall
Operating Temperature: -20 to +85°C

MicroCross™ DVI-I Digital/Analog Visual Interface Receptacle Header and Hardware

74320 Panel Mount Through Hole Right Angle



Order No.	Plating	Lead-free
74320-1000	30µ" Gold	Yes
74320-1004	Gold Flash	

Please contact Molex for additional tail length options

Features and Benefits

- Supports both analog and digital signals
- Plug and play interface
- Excellent EMI/RFI performance
- LFH™ contact design is rugged and reliable
- DDWG DVI standard interface
- The digital section supports 4.95 Gbps over a single link and 9.9 Gbps over a dual link.
- The MicroCross coax section supports a high-bandwidth of up to 2.5 GHz analog signal

Reference Information

Product Specification: PS-74320-001
Packaging: Tray
UL File No.: E29179
CSA File No.: LR19980
Mates With: 88741, 74323 and other plug components
Designed In: Inches

Electrical

Voltage: 40V
Current: 3.0A
Contact Resistance: 20 milliohms max.
Dielectric Withstanding Voltage: 500V
Insulation Resistance: 1000 Megohms min.

Mechanical

Contact Retention to Housing: 1 lb. min.
Insertion Force to PCB: 10 lb. max.
Mating Force: 10 lb. max.
Unmating Force: 2.2 lb. min.
Durability: 100 cycles

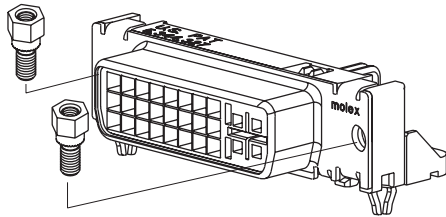
Physical

Housing: Glass-filled thermoplastic, UL 94V-0
Contact: Copper Alloy
Plating: Contact—30µ" Gold or Gold flash in contact area and 100µ" or 150µ" Tin in tail area over Nickel overall
Shields—100µ" bright Tin over Copper overall
Operating Temperature: -20 to +85°C

MicroCross™ DVI-I Digital/Analog Visual Interface Receptacle Header and Hardware

74320

**Panel Mount Through Hole
Right Angle with Forklocks**



Order No.	Plating	Lead-free
74320-9010	30µ" Gold	Yes
74320-9014	Gold Flash	

Please contact Molex for additional tail length options

Features and Benefits

- Supports both analog and digital signals
- Excellent EMI/RFI performance
- Plug and play interface
- LFH™ contact design is rugged and reliable
- DDWG DVI standard interface
- The digital section supports 4.95 Gbps over a single link and 9.9 Gbps over a dual link
- The MicroCross coax section supports a high-bandwidth of up to 2.5 GHz analog signal

Reference Information

Product Specification: PS-74320-001
Packaging: Tray
UL File No.: E29179
CSA File No.: LR19980
Mates with: 88741, 74323 and other plug components
Designed In: Inches

Electrical

Voltage: 40V
Current: 3.0A
Contact Resistance: 20 milliohms max.
Dielectric Withstanding Voltage: 500V
Insulation Resistance: 1000 Megohms min.

Mechanical

Contact Retention to Housing: 1 lb. min.
Insertion Force to PCB: 10 lb. max.
Mating Force: 10 lb. max.
Unmating Force: 2.2 lb. min.
Durability: 100 cycles

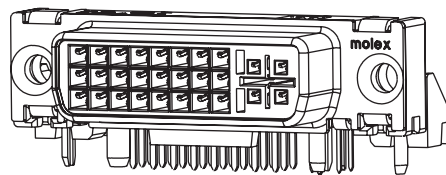
Physical

Housing: Glass-filled thermoplastic, UL 94V-0
Contact: Copper Alloy
Plating: Contact—30µ" Gold or Gold flash in contact area and 100µ" or 150µ" Tin in tail area over Nickel overall
Shields—100µ" bright Tin over Copper overall
Operating Temperature: -20 to +85°C

MicroCross™ DVI-I Digital/Analog Visual Interface Receptacle Header and Hardware

74320

**Panel Mount, Through Hole,
Extended Height
Right Angle**



Order No.	Plating	Lead-free
74320-2020	Gold Flash	Yes
74320-2021	30µ" Gold	

Contact Molex for additional tail length options.

Features and Benefits

- Supports both analog and digital signals
- Plug and play interface
- Excellent EMI/RFI performance
- LFH™ contact design is rugged and reliable
- DDWG DVI standard interface
- The digital section supports 4.95 Gbps over a single link and 9.9 Gbps over a dual link
- The MicroCross coax section supports a high-bandwidth of up to 2.5 GHz analog signal

Reference Information

Product Specification: PS-74320-001
Packaging: Tray
UL File No.: E29179
CSA File No.: LR19980
Mates With: 88741, 74323 and other plug components
Designed In: Inches

Electrical

Voltage: 40V
Current: 3.0A
Contact Resistance: 20 milliohms max.
Dielectric Withstanding Voltage: 500V
Insulation Resistance: 1000 Megohms min.

Mechanical

Contact Retention to Housing: 1 lb min.
Insertion Force to PCB: 10 lb max.
Mating Force: 10 lb max.
Unmating Force: 2.2 lb min.
Durability: 100 cycles

Physical

Housing: Glass-filled thermoplastic, UL 94V-0
Contact: Copper Alloy
Plating: Contact—30µ" Gold or Gold flash in contact area and 100µ" or 150µ" Tin in tail area over Nickel overall
Shields—100µ" bright Tin over Copper overall
Operating Temperature: -20 to +85°C



PRODUCT SPECIFICATION



LANGUAGE

ENGLISH

1.0 Scope

This specification covers the Molex MicroCross™ - Digital Visual Interface (DVI) system which includes cable plugs and board mount receptacles (Right Angle and Vertical).

The Digital Visual Interface connector system supports both analog and digital video transmission.

This specification covers the DVI cable to board, I/O connector system with requirements as set forth by Molex Incorporated.

2.0 Product Description

The MicroCross™ DVI system is designed to meet the industry's requirements for analog and digital computer monitors. There are (2) different receptacle connectors which correspond to the video support present on the host system (mother board/graphics cards). The DVI-D (Digital) receptacle connector supports hosts systems that transmit digital video. The DVI-I (Intergrated) receptacle connector supports host systems that are enabled to transmit both analog and digital video. This is achieved by utilizing two different sets of contacts as shown in Figure 1 below:

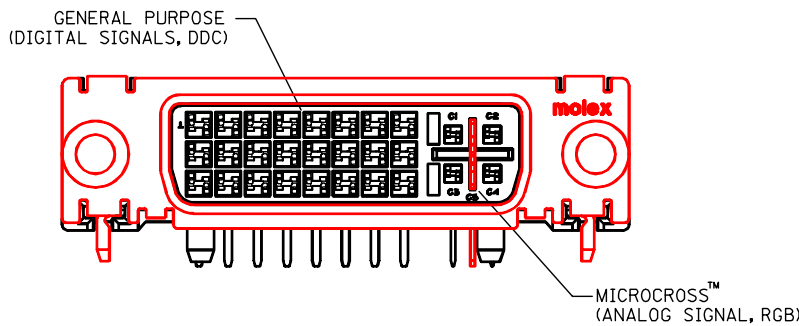


Figure 1: Two sets of contacts (DVI-I Shown)

REV	J	J	J	J	J	J	J	J	J	J	J	J	J	J	J	J	J	
SHT	1	2	3	4	5	6	7	8	9	10	11	12	13	14	15	16	17	
REVISE ON PC ONLY								TITLE		MicroCross™ - DVI I/O Plug and Receptacle Connector System								
J	REVISED PER EC# T2003-0134 TONY ZHANG 02/11/22																	
REV	DESCRIPTION							THIS DOCUMENT CONTAINS INFORMATION THAT IS PROPRIETARY TO MOLEX INC. AND SHOULD NOT BE USED WITHOUT WRITTEN PERMISSION										
DESIGN CONTROL				STATUS				WRITTEN BY:	CHECKED BY:	APPROVED BY:	DATE: YR / MO / DAY							
UDT				M				SCHMIDGA										
DOCUMENT NO.												FILE NAME	SHT NO.					
PS-74320-001												PS74320.LWP	1 OF 17					
ES-40000-3996 REV. A SHEET 3 95/MAR/10 EC U5-0926 DCBRD03.SAM																		



PRODUCT SPECIFICATION



LANGUAGE

ENGLISH

1. General purpose signals:

Terminals: 24 circuits on a 0.075 inch/1.91 mm grid

Signals: Includes power, grounds, digital and video signals, analog synch lines and DDC (Display Data Channel) signals.

Pin	Signal Assignment	Pin	Signal Assignment	Pin	Signal Assignment
1	T.M.D.S. Data2-	9	T.M.D.S. Data1-	17	T.M.D.S. Data 0-
2	T.M.D.S. Data2+	10	T.M.D.S. Data1+	18	T.M.D.S. Data 0+
3	T.M.D.S. Data2/4 Shield	11	T.M.D.S. Data 1/3 Shield	19	T.M.D.S. Data 0/5 Shield
4	T.M.D.S. Data 4-	12	T.M.D.S. Data 3-	20	T.M.D.S. Data 5-
5	T.M.D.S. Data 4+	13	T.M.D.S. 3+	21	T.M.D.S. Data 5+
6	DDC Clock	14	+5 V Power	22	T.M.D.S. Clock Shield
7	DDC Data	15	Ground (for +5V)	23	T.M.D.S. Clock+
8	No Connect	16	Hot Plug Detect	24	T.M.D.S. Clock-

Table 1: Digital-Only Connector Pin Assignments
Source: Digital Visual Interface Specification, Revision 1.0

2. MicroCross™:

a) Plug and Receptacle - I - Intergrated analog/digital - see figure 3, sheet 4

Terminals: 4 circuits on a 0.100 inch/2.54 mm grid with a crossing ground plane in between.

Signals: High frequency, 75 ohm, analog video

b) Plug and Receptacle - D - Digital Version

Terminals: A single key on the plug and corresponding slot on the receptacle.

Signals: The key is used for mechanical polarization only, it does not carry any electrical signals.

REVISE ON PC ONLY		TITLE	MiroCross™ - DVI I/O Plug and Receptacle Connector System
J	SEE SHEET 1		
REV	DESCRIPTION		
DOCUMENT NO. PS-74320-001		THIS DOCUMENT CONTAINS INFORMATION THAT IS PROPRIETARY TO MOLEX INC. AND SHOULD NOT BE USED WITHOUT WRITTEN PERMISSION	
ES-40000-3996 REV. A SHEET 4 95/MAR/10 EC U5-0926 DCBRD03.SAM		FILE NAME PS74320.LWP	SHEET 2



PRODUCT SPECIFICATION



LANGUAGE

ENGLISH

Pin	Signal Assignment	Pin	Signal Assignment	Pin	Signal Assignment
1	T.M.D.S. Data 2-	9	T.M.D.S. Data 1-	17	T.M.D.S. Data 0-
2	T.M.D.S. Data 2+	10	T.M.D.S. Data 1+	18	T.M.D.S. Data 0+
3	T.M.D.S. Data 2/4 Shield	11	T.M.D.S. Data 1/3 Shield	19	T.M.D.S. Data 0/5 Shield
4	T.M.D.S. Data 4-	12	T.M.D.S. Data 3-	20	T.M.D.S. Data 5-
5	T.M.D.S. Data 4+	13	T.M.D.S. Data 3+	21	T.M.D.S. Data 5+
6	DDC Clock	14	+5V Power	22	T.M.D.S. Clock Shield
7	DDC Data	15	Ground (return for +5V, HSync, and VSync)	23	T.M.D.S. Clock+
8	Analog Vertical Sync	16	Hot Plug Detect	24	T.M.D.S. Clock-
C1	Analog Red	C2	Analog Green	C3	Analog Blue
C4	Analog Horizontal Sync	C5	Analog Ground (analog R, G, & B return)		

Table 2: Combined Analog and Digital Connector Pin Assignments

Source: Digital Visual Interface, Revision 1.0

Additional general specifications are:

Plug:

- LFH (Low Force Helix) style contacts
- fully shielded RFI/EMI can
- grounding detents on mating shell
- solder tails for cable termination
- positive retention jackscrew: thread 4-40 UNC-2A

Receptacle:

- high cycle, dual beam, LFH shrouded contacts
- polarization achieved by a "D" shaped housing/shield
- single piece shield with integral ground leg
- shield protrudes for ESD considerations
- solder tails for thru hole board mount
- plastic retention pegs
- jackposts: # 4-40 UNC-2A&B threads. The recommended application torque setting is 4 lbf in maximum. To prevent stripping the shield threads while installing the jackposts, it is recommended the jackposts are started by hand or with a lower initial torque driver setting. The engaged threads are rated to hold a minimum of 5 lbf in of torque.

REVISE ON PC ONLY		TITLE	MiroCross™ - DVI I/O Plug and Receptacle Connector System
J	SEE SHEET 1		
REV	DESCRIPTION		
DOCUMENT NO. PS-74320-001		THIS DOCUMENT CONTAINS INFORMATION THAT IS PROPRIETARY TO MOLEX INC. AND SHOULD NOT BE USED WITHOUT WRITTEN PERMISSION	
ES-40000-3996 REV. A SHEET 4 95/MAR/10 EC U5-0926 DCBRD03.SAM		FILE NAME PS74320.LWP	SHEET 3



PRODUCT SPECIFICATION



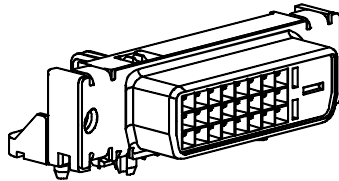
LANGUAGE

ENGLISH

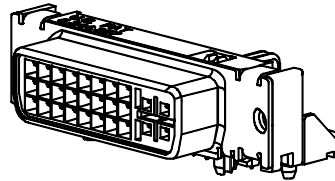
2.1 Product Drawing Numbers

2.1.1 Receptacle:

The DVI receptacle is for systems which support digital video (DVI-D) or both analog and digital video (DVI-I).



*Figure 2:
Right Angle DVI-D version
(Digital)*



*Figure 3:
Right Angle DVI-I version
Intergrated(Analog/Digital)*

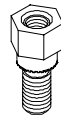


Figure 4: Jackpost

REVISE ON PC ONLY		TITLE	MiroCross™ - DVI I/O Plug and Receptacle Connector System
J	SEE SHEET 1		
REV	DESCRIPTION		
DOCUMENT NO. PS-74320-001		THIS DOCUMENT CONTAINS INFORMATION THAT IS PROPRIETARY TO MOLEX INC. AND SHOULD NOT BE USED WITHOUT WRITTEN PERMISSION	
ES-40000-3996 REV. A SHEET 4 95/MAR/10 EC U5-0926 DCBRD03.SAM		FILE NAME PS74320.LWP	SHEET 4



2.1.2 DVI Plug

The DVI plug is for systems which use analog or digital video. The analog DVI plug shown below supports analog video transmission from the host to the display.

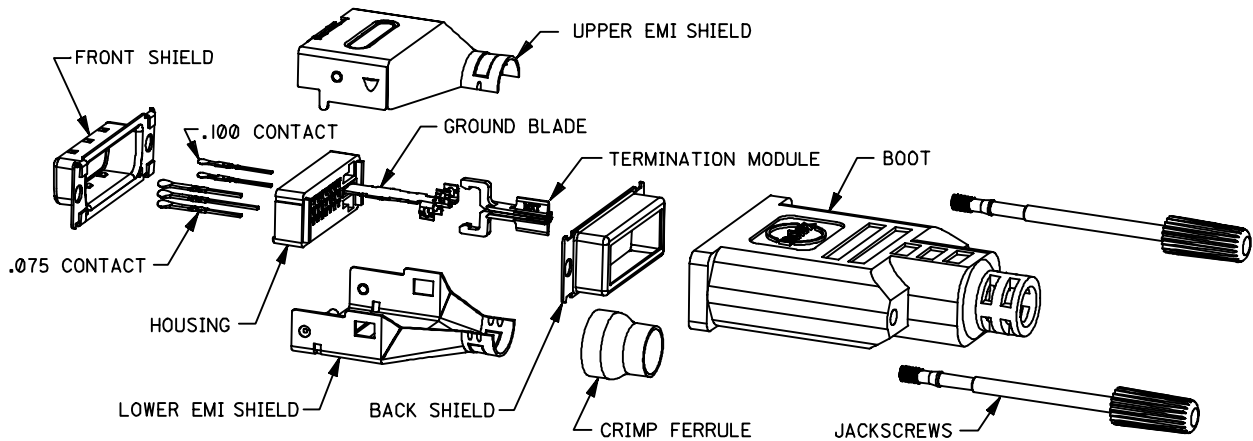


Figure 5:
Analog Version

REVISE ON PC ONLY		TITLE	MiroCross™ - DVI I/O Plug and Receptacle Connector System	
J	SEE SHEET 1			
REV	DESCRIPTION			
DOCUMENT NO.		THIS DOCUMENT CONTAINS INFORMATION THAT IS PROPRIETARY TO MOLEX INC. AND SHOULD NOT BE USED WITHOUT WRITTEN PERMISSION		
PS-74320-001		FILE NAME	SHEET	
		PS74320.LWP	5	
ES-40000-3996 REV. A SHEET 4 95/MAR/10 EC U5-0926 DCBRD03.SAM				



PRODUCT SPECIFICATION



LANGUAGE

ENGLISH

2.1.3

The digital DVI plug shown below supports digital video transmission from the host to the display.

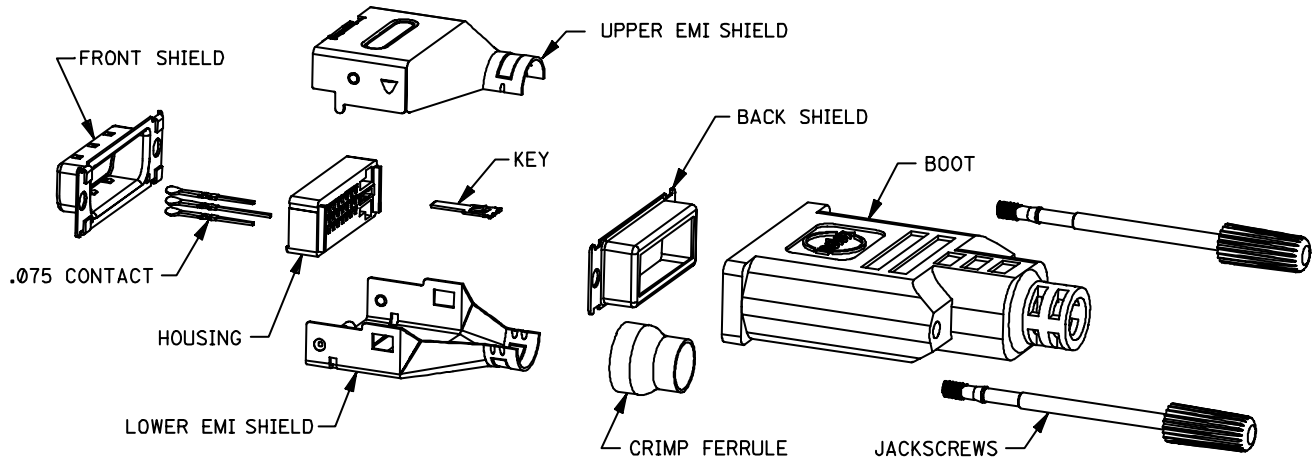


Figure 6:
Digital Version

2.2 Safety Agency Approvals

UL File Number E29179, Volume 10, Section 12

CSA File Number LR19980

3.0 Applicable Documents and Specifications

3.1 All documents referenced shall be of the latest revision. The order of precedence detailing requirements of this specification is as follows:

1. Product Drawings
2. This specification

3.2 Reference Documents

3.2.1 EIA RS-364-(06,09,13,17,18,20,21,23,27,28,31,32,41,46,65,67,70,90) Electronic Industries Association, Recommended Standard

REVISE ON PC ONLY		TITLE	MiroCross™ - DVI I/O Plug and Receptacle Connector System
J	SEE SHEET 1		
REV	DESCRIPTION		
DOCUMENT NO. PS-74320-001		THIS DOCUMENT CONTAINS INFORMATION THAT IS PROPRIETARY TO MOLEX INC. AND SHOULD NOT BE USED WITHOUT WRITTEN PERMISSION	
ES-40000-3996 REV. A SHEET 4 95/MAR/10		FILE NAME PS74320.LWP	SHEET 6
EC U5-0926 DCBRD03.SAM			



PRODUCT SPECIFICATION



LANGUAGE

ENGLISH

- 3.2.2 IEC-801-2 International Electrotechnical Commission, Electrostatic Discharge Requirements
- 3.2.3 MIL STD-202: Test methods for electronics and electrical component parts
- 3.2.4 Molex PS-74320-9999 Application Specification, DVI Plug Cable Assembly
- 3.2.5 Molex ES-74320-9998 Termination Specification, DVI Cable Assemblies
- 3.2.6 Molex PS-74320-9997 Cable Assembly Specification
- 3.2.7 UL 94: Tests for flammability of plastics materials

4.0 Ratings

4.1 Voltage

40 Volts AC (RMS)

4.2 Current

3.0 Amps per circuit.

30 °C maximum temperature rise and 55 °C maximum ambient per EIA-364-70.

4.3 Temperature

Operating: - 20 °C to + 85 °C

Nonoperating: - 20 °C to + 85 °C

REVISE ON PC ONLY		TITLE	MiroCross™ - DVI I/O Plug and Receptacle Connector System
J	SEE SHEET 1		
THIS DOCUMENT CONTAINS INFORMATION THAT IS PROPRIETARY TO MOLEX INC. AND SHOULD NOT BE USED WITHOUT WRITTEN PERMISSION			
REV	DESCRIPTION		
DOCUMENT NO.		FILE NAME	SHEET
PS-74320-001		PS74320.LWP	7
ES-40000-3996 REV. A SHEET 4 95/MAR/10 EC U5-0926 DCBRD03.SAM			



PRODUCT SPECIFICATION



LANGUAGE

ENGLISH

5.0 Performance

5.1 Electrical Performance

ITEM	TEST CONDITION	REQUIREMENT
Contact Resistance	Bulk resistance measured between plug solder tails and receptacle solder tails per ANSI/EIA-364-23	20 milliohm maximum, initial per contact mated pair 10 milliohm maximum change from initial reading per contact mated pair
Shell Resistance	Bulk resistance measured between ground leg on receptacle shield and the plug cable braid. Test current=100mA; Test voltage=5 Volts DC open circuit maximum per ANSI/EIA-364-06A-83	50 milliohm maximum initial 50 milliohm maximum change from initial reading
Insulation Resistance	Test voltage = 500 Volts DC +/- 50 V Unmated and Unmounted per ANSI/EIA 364-21, Method C	1Gigaohm Minimum between adjacent contacts and contacts and shell
Dielectric Withstanding Voltage	Test voltage = 500 Volts DC +/-50 V Unmated and Unmounted per ANSI/EIA 364-20, Method C Barometric pressure of 15 psi	No flashover, No sparkover, No excess leakage, No Breakdown
Contact Current Rating	Maximum ambient = 55 degree C Maximum temperature change = 85 degree C per ANSI/EIA-364-70, TP-70	3.0 A maximum
Applied Voltage Rating		40 Volts AC (rms) continuous maximum, on any signal pin with respect to the shield
Electrostatic Discharge	Test unmated from 1 kV to 8kV in 1 kV steps using 8mm ball prob per IEC 801-2 Contact discharge to shell Air discharge perpendicular to shell Air discharge at angle to shell	No evidence of discharge to contacts at 8kV. Discharge to the shell is acceptable.
T.M.D.S. Signals Time Domain Impedance	Risetime = 330 pS (10%-90%) S:G ratio per DVI pin designation Differential Measurement Specimen Environment Impedance = 100 ohm differential Source-side receptacle connector mounted on a controlled impedance pcb fixture per ANSI/EIA-364-108 draft Proposal	100 ohms +/-15%

REVISE ON PC ONLY		TITLE MiroCross™ - DVI I/O Plug and Receptacle Connector System	THIS DOCUMENT CONTAINS INFORMATION THAT IS PROPRIETARY TO MOLEX INC. AND SHOULD NOT BE USED WITHOUT WRITTEN PERMISSION
J	SEE SHEET 1		
REV	DESCRIPTION		
DOCUMENT NO. PS-74320-001		FILE NAME PS74320.LWP	SHEET 8
ES-40000-3996 REV. A SHEET 4 95/MAR/10 EC U5-0926 DCBRD03.SAM			



PRODUCT SPECIFICATION



LANGUAGE

ENGLISH

<p>T.M.D.S. Signals Time Domain Crosstalk: FEXT</p>	<p>Risetime = 330 pS (10%-90%) S:G ratio per DVI pin designation Differential Measurement Specimen Environment Impedance = 100 ohm differential Source-side receptacle and the load side plug connector are mounted on a controlled impedance pcb fixture (1) Driven pair and (1) victim pair per ANSI/EIA-364-90 Draft Proposal</p>	<p>5% Maximum</p>
<p>T.M.D.S. Signals Rise Time Degradation</p>	<p>S:G ratio per DVI pin designation Differential Measurement Specimen Environment Impedance = 100 ohm differential Source-side receptacle and the load side plug connector are mounted on a controlled impedance pcb fixture per ANSI/EIA-364-102 Draft Proposal</p>	<p>160 pS Maximum (Note: Converted bandwidth using BW=0.35/t rise yields 2.2 GHz)</p>
<p>Analog RGB Coaxial Signals Time Domain Impedance</p>	<p>Risetime = 700 pS (10%-90%) S:G ratio per DVI pin designation Single-ended Measurement Specimen Environment Impedance = 75 ohm single-ended Source-side receptacle connector mounted on a controlled impedance pcb fixture per ANSI/EIA-364-108 Draft Proposal</p>	<p>75 ohms +/-10%</p>
<p>Analog RGB Coaxial Signals Time Domain Crosstalk: (FEXT)</p>	<p>Risetime = 700 pS (10%-90%) S:G ratio per DVI pin designation Single-ended Measurement Specimen Environment Impedance = 75 ohm single-ended Source-side receptacle connector is mounted on a controlled impedance pcb fixture and the load side plug connector is terminated to semi-rigid coax. (1) Driven line and (1) victim line per ANSI/EIA-364-90 Draft Proposal</p>	<p>3% Maximum</p>
<p>Analog RGB Coaxial Signals Rise Time Degradation</p>	<p>S:G ratio per DVI pin designation Single-ended Measurement Specimen Environment Impedance = 75 ohm single-ended Source-side receptacle connector is mounted on a controlled impedance pcb fixture and the load side plug connector is terminated to semi-rigid coax. per ANSI/EIA-364-102</p>	<p>140pS Maximum (Note: Converted bandwidth using BW=0.35/t rise yields 2.5 GHz)</p>

REVISE ON PC ONLY		TITLE MiroCross™ - DVI I/O Plug and Receptacle Connector System	
J	SEE SHEET 1		
REV	DESCRIPTION	THIS DOCUMENT CONTAINS INFORMATION THAT IS PROPRIETARY TO MOLEX INC. AND SHOULD NOT BE USED WITHOUT WRITTEN PERMISSION	
DOCUMENT NO. PS-74320-001		FILE NAME PS74320.LWP	SHEET 9
ES-40000-3996 REV. A SHEET 4 95/MAR/10 EC U5-0926 DCBRD03.SAM			



PRODUCT SPECIFICATION



LANGUAGE

ENGLISH

5.2 Mechanical Performance

ITEM	TEST CONDITION	REQUIREMENT
Mating Force	One pair per ANSI/EIA 364-13 Insertion speed: 1inch (25mm) per minute	10.0 lbf (4.5 kgf) maximum
Unmating Force	Mated pair per ANSI/EIA 364-13 Withdraw speed: 1inch (25mm) per minute	2.2 lbf (1.0 kgf) minimum 8.8 lbf (4.0 kgf) maximum
Receptacle Contact Retention	Individual contact	1.0 lbf (0.45 kgf) minimum
Receptacle Key Retention	Individual key	2.0 lbf (0.90 kgf) minimum
Plug Contact Retention	Push out from mating face; Individual contact	10 lbf (4.5 kgf) minimum
Plug Key Retention	Push out from mating face; Individual key	10 lbf (4.5 kgf) minimum
Durability	Automatic cycling: 100 cycles per ANSI/EIA 364-09 at 100 +/- 50 cycles per hour	Contact Resistance per EIA 364-23: 10 milliohm maximum change from initial per contact pair All samples to be mated Shell Resistance: 50 milliohm maximum (change from initial reading)
Vibration	15 minutes / axis per ANSI/EIA 364-28, Method 5A	No discontinuities at 1 microsecond or longer (each contact) when continuity is tested per EIA-364-46
Shock (Mechanical)	Per ANSI/EIA 364-27, Condition A (specified pulse)	No discontinuities at 1 microsecond or longer (each contact) when continuity is tested per EIA-364-46
Cable Pullout Force	Test for cable strain relief & termination integrity. Cable subjected to 25.0 lbf (11.3 kgf) static load for one minute while monitoring continuity. Isolate plug & receptacle interface from load.	No discontinuities greater than 1 microsecond
Board Insertion Force		10.0 lbf (4.5 kgf) maximum
Cable Flex	100 cycles in each of 2 planes Dimension X=3.7x Cable Diameter per ANSI/EIA 364-41, Condition I	No discontinuities greater than 1 microsecond allowed during flexing on contacts or shields per EIA-364-46 Dielectric Withstanding Voltage and Insulation Resistance tested per requirements of section 5.1
Normal Force	For reference only	.050" pitch terminals: 75 grams typical .075" pitch terminals: 90 grams typical Ground Plane: 100 grams typical
Thread Torque	Mounted to panel; Test to failure; Tighten jackposts with torque gage until threads are stripped and jackpost turns freely	5.0 lbf in (5.76 kgf cm) minimum

REVISE ON PC ONLY		TITLE MiroCross™ - DVI I/O Plug and Receptacle Connector System	THIS DOCUMENT CONTAINS INFORMATION THAT IS PROPRIETARY TO MOLEX INC. AND SHOULD NOT BE USED WITHOUT WRITTEN PERMISSION
J	SEE SHEET 1		
REV	DESCRIPTION		
DOCUMENT NO. PS-74320-001		FILE NAME PS74320.LWP	SHEET 10
ES-40000-3996 REV. A SHEET 4 95/MAR/10 EC U5-0926 DCBRD03.SAM			



PRODUCT SPECIFICATION



LANGUAGE

ENGLISH

5.3 Environmental Performance

ITEM	TEST CONDITION	REQUIREMENT
Thermal Shock	10 cycles Mated/Unmated per ANSI/EIA 364-32, Condition I	Contact Resistance: 10 milliohm maximum change from initial per contact pair All samples to be mated Shell Resistance: 50 milliohm maximum change from initial per EIA-364-23
Humidity (Cyclic)	ANSI/EIA 364-31, Conditions A and B Method III, omit 7A and 7B	Contact Resistance: 10 milliohm maximum change from initial per contact pair All samples to be mated Shell Resistance: 50 milliohm maximum change from initial per EIA-364-23
Thermal Aging	105 °C for 250 hours Mated per ANSI/EIA 364-17, Condition 4, Method A.	Contact Resistance: 10 milliohm maximum change from initial per contact pair All samples to be mated Shell Resistance: 50 milliohm maximum change from initial per contact pair per EIA-364-23
Temperature Rise	Per ANSI/EIA 364-70	30 °C maximum temperature rise
Resistance to Solder Heat	Dip connector solder tails to board for 10 seconds Solder Temp = 260 +/- 5 °C	No visual damage to insulator
Solderability	Per MIL-STD-202, Method 208	95% minimum coverage
Temperature Rating	Operating	-20 degree C to +85 degree C
Temperature Rating	Non-Operating	-20 degree C to +85 degree C

REVISE ON PC ONLY		TITLE	MiroCross™ - DVI I/O Plug and Receptacle Connector System
J	SEE SHEET 1		
REV	DESCRIPTION		
DOCUMENT NO.		THIS DOCUMENT CONTAINS INFORMATION THAT IS PROPRIETARY TO MOLEX INC. AND SHOULD NOT BE USED WITHOUT WRITTEN PERMISSION	
PS-74320-001		FILE NAME	SHEET
ES-40000-3996 REV. A SHEET 4 95/MAR/10 EC U5-0926 DCBRD03.SAM		PS74320.LWP	11



PRODUCT SPECIFICATION



LANGUAGE

ENGLISH

6.0 Packaging

6.1 Receptacles:

All receptacles are packaged in trays. For specific packaging information , refer to PK-74320-001 for right angle receptacles and PK-74320-002 for vertical receptacles.

7.0 Other Information

7.1 Test Sequences

REVISE ON PC ONLY		TITLE	MiroCross™ - DVI I/O Plug and Receptacle Connector System
J	SEE SHEET 1		
THIS DOCUMENT CONTAINS INFORMATION THAT IS PROPRIETARY TO MOLEX INC. AND SHOULD NOT BE USED WITHOUT WRITTEN PERMISSION			
REV	DESCRIPTION		
DOCUMENT NO.		FILE NAME	SHEET
PS-74320-001		PS74320.LWP	12
ES-40000-3996 REV. A SHEET 4 95/MAR/10 EC U5-0926 DCBRD03.SAM			



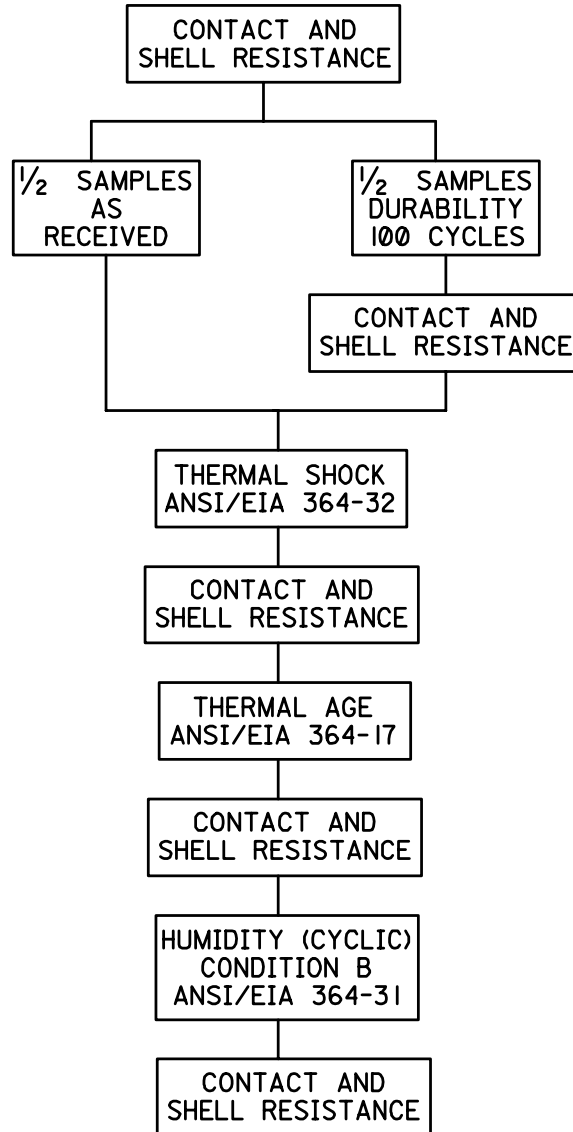
PRODUCT SPECIFICATION



LANGUAGE

ENGLISH

Group 1 : Mated Environmental



Number of samples

(5) Receptacle assembled to printed circuit board.

(5) Cable assemblies with a plug assembled to one end, 10 inch/25.4 cm long

REVISE ON PC ONLY		TITLE	MiroCross™ - DVI I/O Plug and Receptacle Connector System
J	SEE SHEET 1		
REV	DESCRIPTION		
DOCUMENT NO. PS-74320-001		THIS DOCUMENT CONTAINS INFORMATION THAT IS PROPRIETARY TO MOLEX INC. AND SHOULD NOT BE USED WITHOUT WRITTEN PERMISSION	
ES-40000-3996 REV. A SHEET 4 95/MAR/10		FILE NAME PS74320.LWP	SHEET 13
EC U5-0926 DCBRD03.SAM			



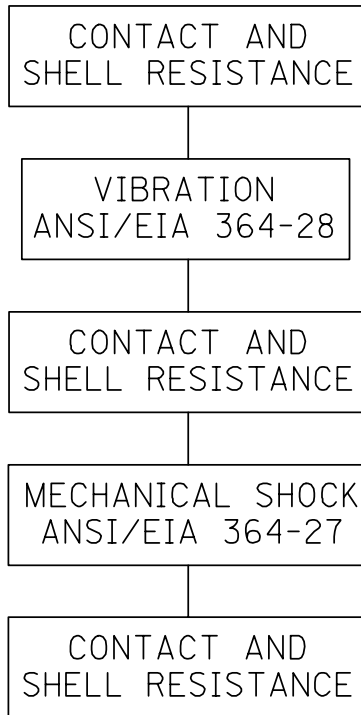
PRODUCT SPECIFICATION



LANGUAGE

ENGLISH

Group 2 : Mated Mechanical



Number of Samples:

(2) Receptacles, assembled to printed circuit board.

(2) Cable assemblies with a plug assembled to one end, 10 inch/25.4 cm long.

Note: Connector is to be mounted on a fixture that simulates the typical application. The receptacle connector shall be mounted to a panel, per the receptacle panel cutout shown in Figure 12, which is permanently affixed to the fixture. The plug shall be mated to the receptacle with jackscrews fully engaged and the other end of the cable shall be permanently clamped to the fixture, 3 inches from connector face.

REVISE ON PC ONLY		TITLE	MiroCross™ - DVI I/O Plug and Receptacle Connector System
J	SEE SHEET 1		
THIS DOCUMENT CONTAINS INFORMATION THAT IS PROPRIETARY TO MOLEX INC. AND SHOULD NOT BE USED WITHOUT WRITTEN PERMISSION			
REV	DESCRIPTION		
DOCUMENT NO. PS-74320-001		FILE NAME PS74320.LWP	SHEET 14
ES-40000-3996 REV. A SHEET 4 95/MAR/10 EC U5-0926 DCBRD03.SAM			



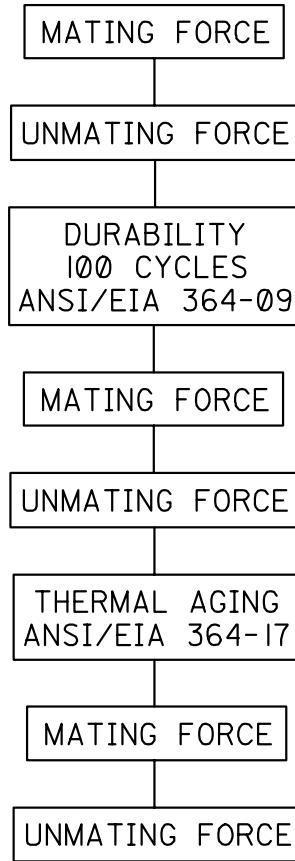
PRODUCT SPECIFICATION



LANGUAGE

ENGLISH

Group 3 : Mated Mechanical



Number of Samples:

- (2) Receptacles, assembled to printed circuit board.
- (2) Cable assemblies with a plug assembled to one end, 10 inch/25.4 cm long.

REVISE ON PC ONLY		TITLE	MiroCross™ - DVI I/O Plug and Receptacle Connector System
J	SEE SHEET 1		
THIS DOCUMENT CONTAINS INFORMATION THAT IS PROPRIETARY TO MOLEX INC. AND SHOULD NOT BE USED WITHOUT WRITTEN PERMISSION			
REV	DESCRIPTION		
DOCUMENT NO. PS-74320-001		FILE NAME PS74320.LWP	SHEET 15
ES-40000-3996 REV. A SHEET 4 95/MAR/10 EC U5-0926 DCBRD03.SAM			



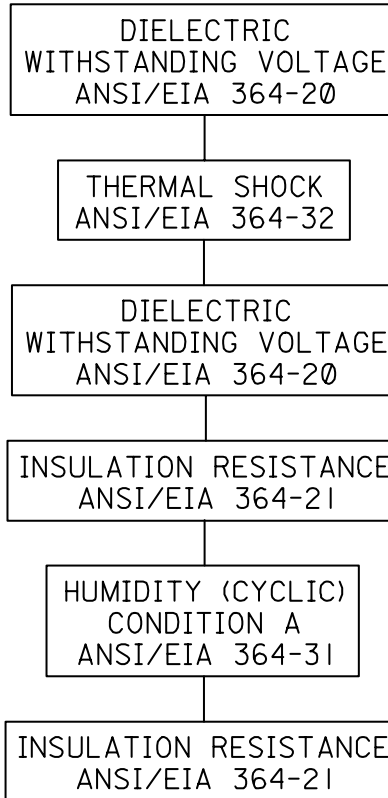
PRODUCT SPECIFICATION



LANGUAGE

ENGLISH

Group 4 : Insulator Intergrity



Number of Samples:

- (2) Receptacles, assembled to printed circuit board.
- (2) Cable assemblies with a plug assembled to one end, 10 inch/25.4 cm long

REVISE ON PC ONLY		TITLE	MiroCross™ - DVI I/O Plug and Receptacle Connector System
J	SEE SHEET 1		
REV	DESCRIPTION		
DOCUMENT NO. PS-74320-001		THIS DOCUMENT CONTAINS INFORMATION THAT IS PROPRIETARY TO MOLEX INC. AND SHOULD NOT BE USED WITHOUT WRITTEN PERMISSION	
ES-40000-3996 REV. A SHEET 4 95/MAR/10 EC U5-0926 DCBRD03.SAM		FILE NAME PS74320.LWP	SHEET 16



PRODUCT SPECIFICATION



LANGUAGE

ENGLISH

Group 5 : Cable Flexing

CABLE FLEXING
ANSI/EIA 364-41

DIELECTRIC
WITHSTANDING VOLTAGE
ANSI/EIA 364-20

INSULATION RESISTANCE
ANSI/EIA 364-21

Number of Samples:
(2) Cable assemblies

Group 6: Electrostatic Discharge

ELECTROSTATIC
DISCHARGE

Number of Samples:
(1) Receptacle connector

REVISE ON PC ONLY		TITLE	MiroCross™ - DVI I/O Plug and Receptacle Connector System
J	SEE SHEET 1		
REV	DESCRIPTION	THIS DOCUMENT CONTAINS INFORMATION THAT IS PROPRIETARY TO MOLEX INC. AND SHOULD NOT BE USED WITHOUT WRITTEN PERMISSION	
DOCUMENT NO. PS-74320-001		FILE NAME PS74320.LWP	SHEET 17
ES-40000-3996 REV. A SHEET 4 95/MAR/10 EC U5-0926 DCBRD03.SAM			



SINGLE LINE MODEL

DVI SINGLE LINE ELECTRICAL MODEL

1.0 PRODUCT

TRADE NAME: DVI / P&D CONNECTOR
SERIES: 74320

2.0 MODEL DESCRIPTION

THIS SINGLE LINE MODEL (SLM) CAN BE USED FOR MOST BASIC ELECTRICAL ANALYSIS. THIS SLM WILL ONLY REPRESENT THE CONNECTOR RESPONSE TO GAUSSIAN WAVEFORMS WITH RISETIMES **AT 830 PICOSECONDS** AND SLOWER. THIS SLM SHOULD NOT BE USED TO EVALUATE CROSSTALK OR GROUND BOUNCE. THIS SLM CAN BE USED IN SIMULATION PROGRAMS THAT SUPPORT IBIS (INPUT/OUTPUT BUFFER INFORMATION SPECIFICATION) OR SPICE (SIMULATION PROGRAM WITH INTEGRATED CIRCUIT EMPHASIS). FOR ANALYSIS WITH FASTER RISETIME SIMULATIONS, PLEASE CONTACT MOLEX INCORPORATED FOR AVAILABILITY OF A MULTI-LINE MODEL (MLM).

DISCLAIMER: INFORMATION CONTAINED IN THIS DOCUMENT IS SIMULATED . MOLEX INCORPORATED DOES NOT GUARANTEE THIE PERFORMANCE OF THE FINAL PRODUCT TO THE INFORMATION PROVIDED IN THIS DOCUMENT

REVISION: A	ECR/ECN INFORMATION: EC No: UDT2002-1335 DATE: 2002 / 05 / 05	TITLE: SINGLE LINE MODEL FOR DVI/ P&D CONNECTOR	SHEET No. 1 of 2
DOCUMENT NUMBER: SLM-74320-001	CREATED / REVISED BY: CAPADONA	CHECKED BY: DUNHAM	APPROVED BY: DUNHAM



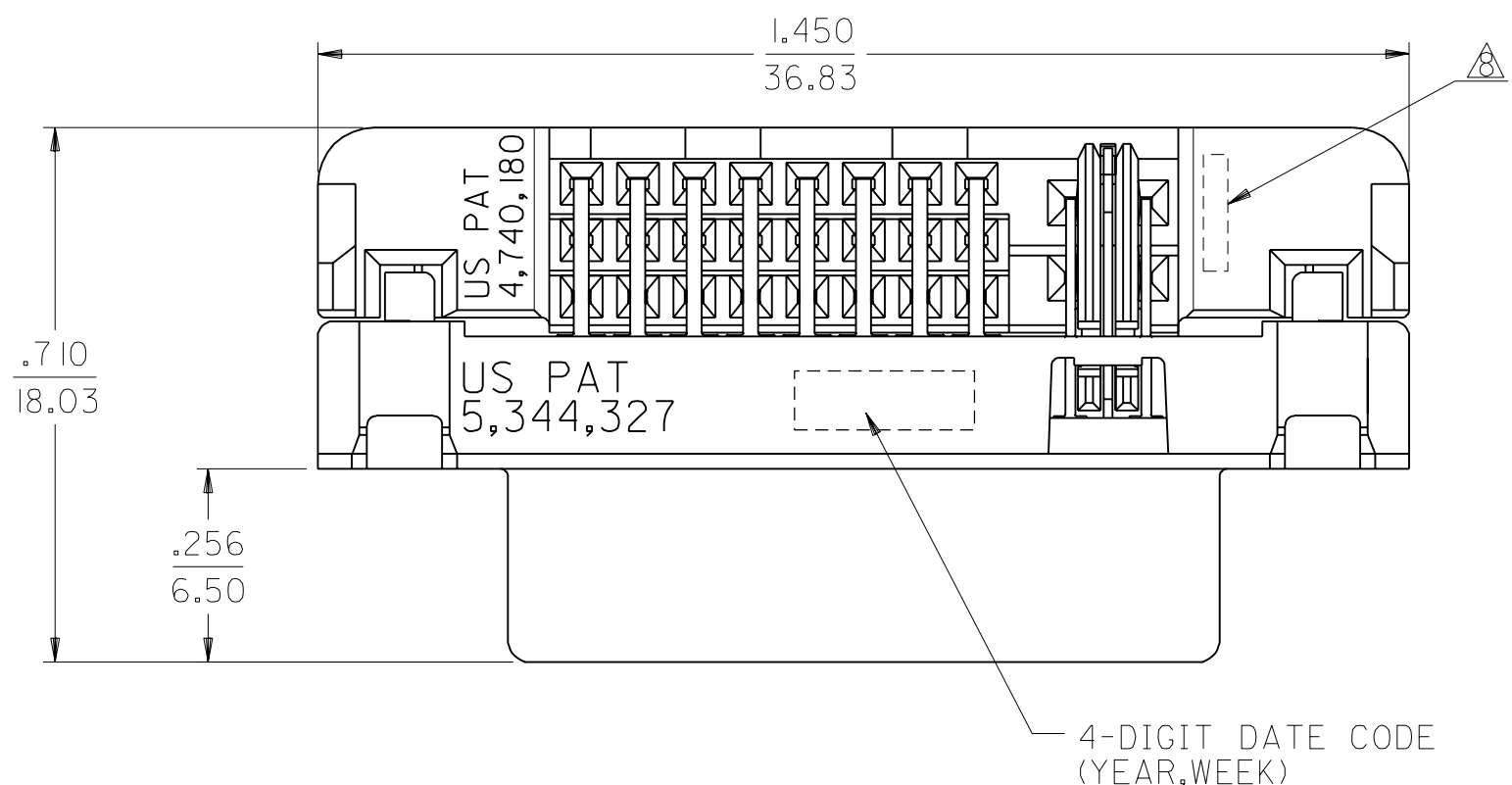
SINGLE LINE MODEL

3.0 MODEL INFORMATION

			Lumped			Distributed		
Row	Column	Signal to Ground Ratio ⁽¹⁾ S:G	Loop Inductance L (nH)	Capacitance C (pF)	Resistance R (mΩ)	Data Source ⁽²⁾	Impedance $Z = \sqrt{\frac{L}{C}}$ (Ω)	Propagation Delay $t_{pd} = \sqrt{LC}$ (ps)
C	1	2:1	8.96	2.96	12.0	T	55.0	162.9
B	6	2:1	6.92	2.58	10.0	T	51.8	133.6
A	8	2:1	6.11	2.35	8.0	T	51.0	119.8

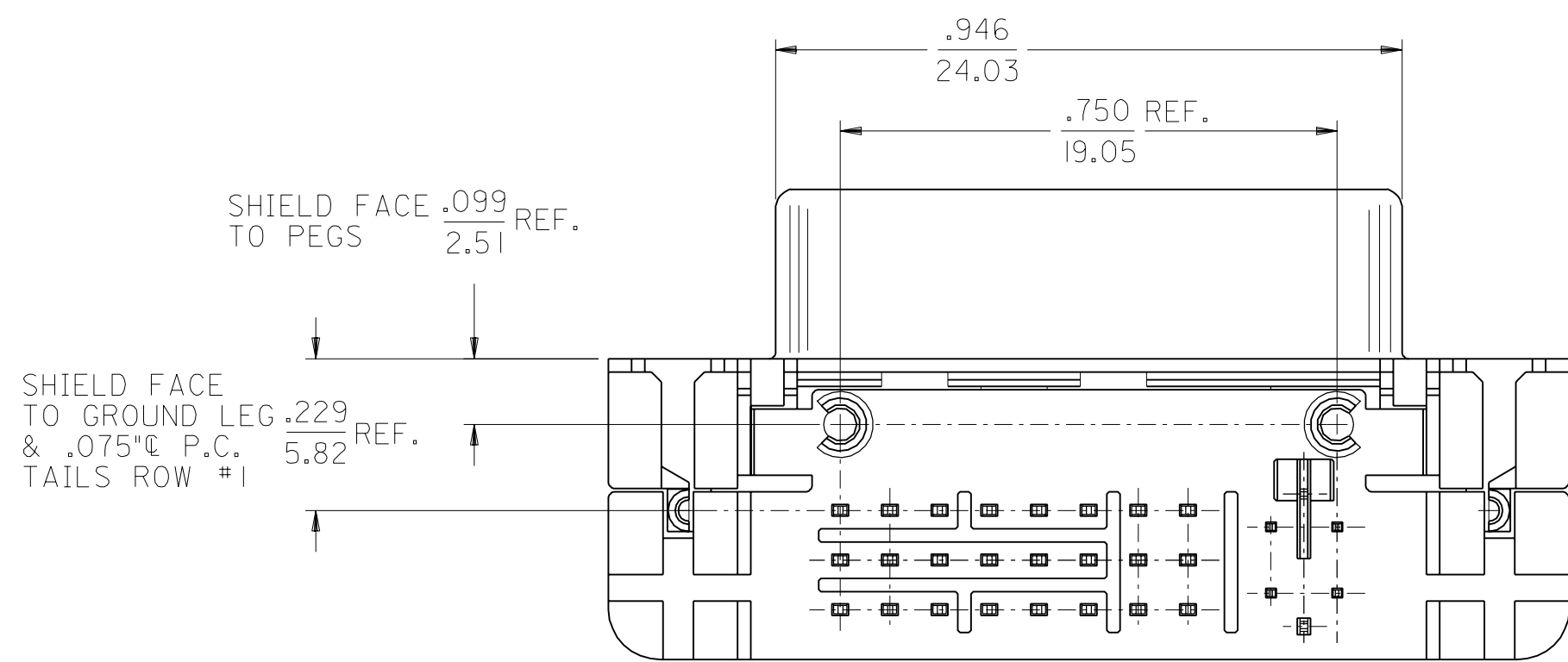
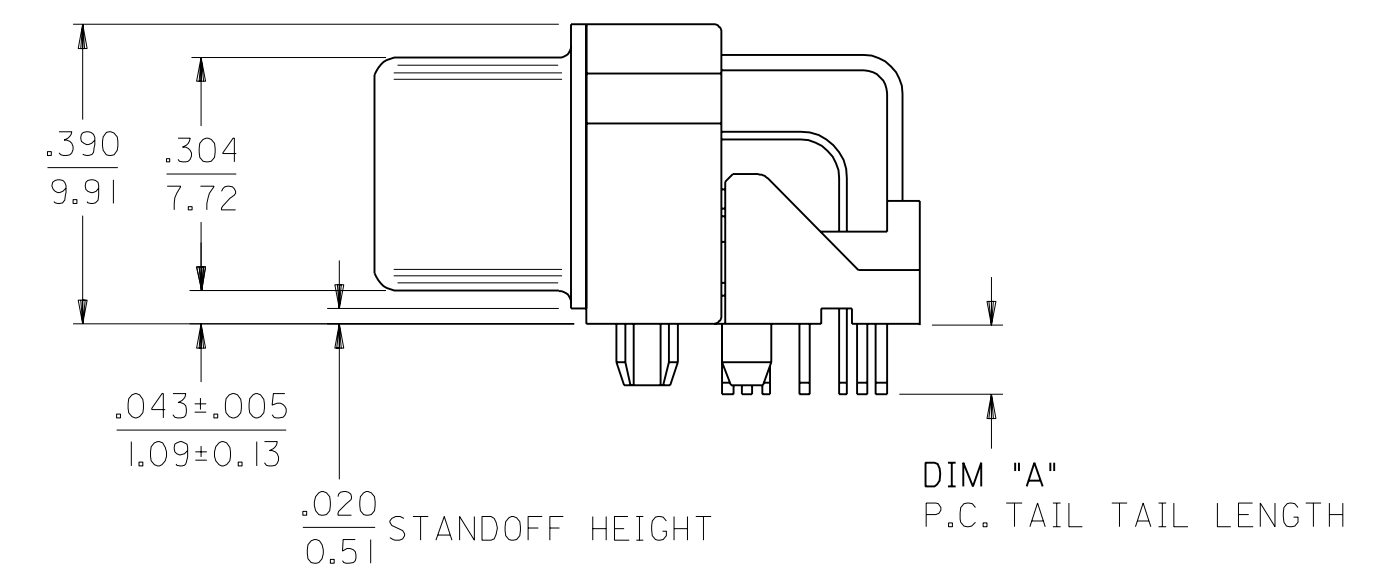
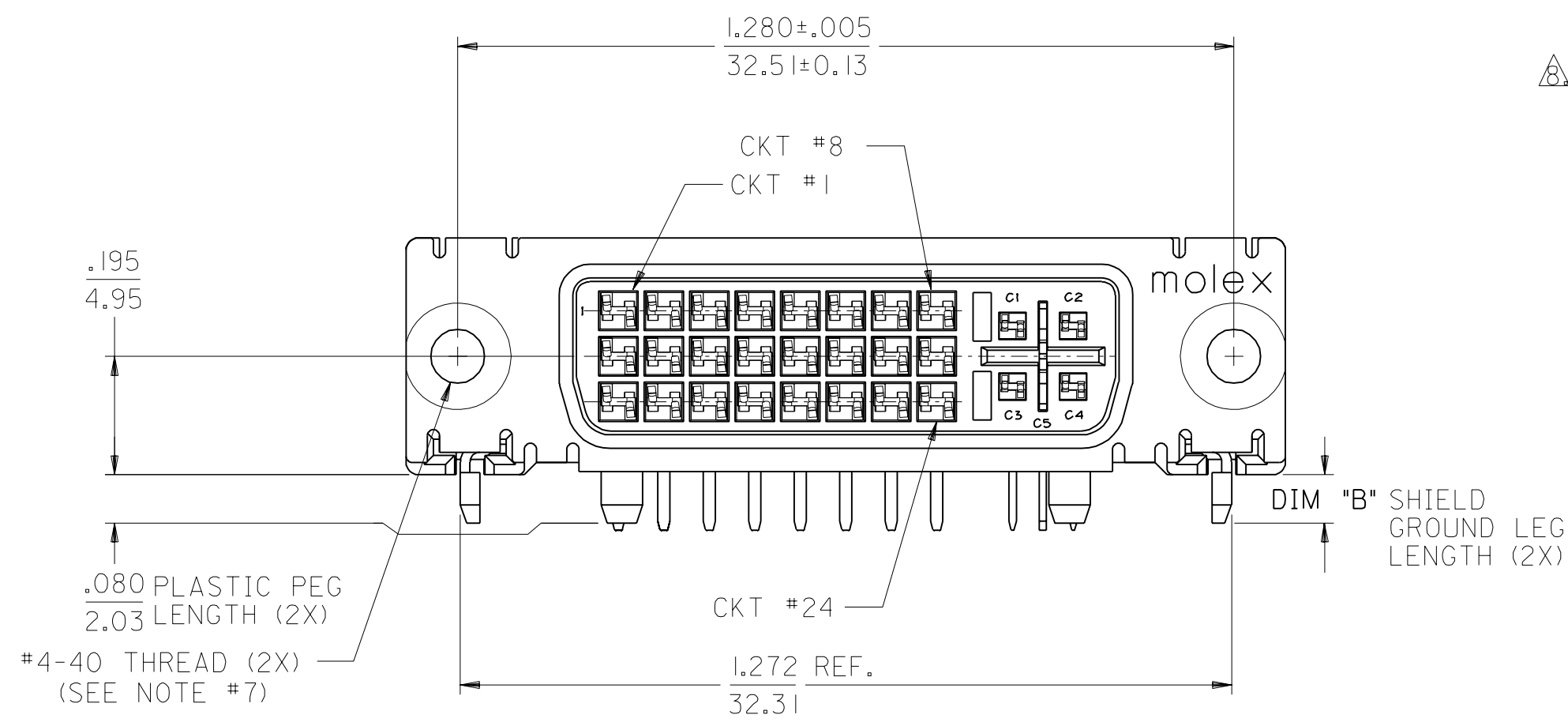
- (1) N/A = Not Applicable due to ground plane (when present).
 (2) E = Empirical (measured); T = Theoretical (mathematical).
 (3) Unmated = No Board Effects.

REVISION: A	ECR/ECN INFORMATION: EC No: UDT2002-1335 DATE: 2002 / 05 / 05	TITLE: SINGLE LINE MODEL FOR DVI/ P&D CONNECTOR	SHEET No. 2 of 2
DOCUMENT NUMBER: SLM-74320-001	CREATED / REVISED BY: CAPADONA	CHECKED BY: DUNHAM	APPROVED BY: DUNHAM



NOTES:

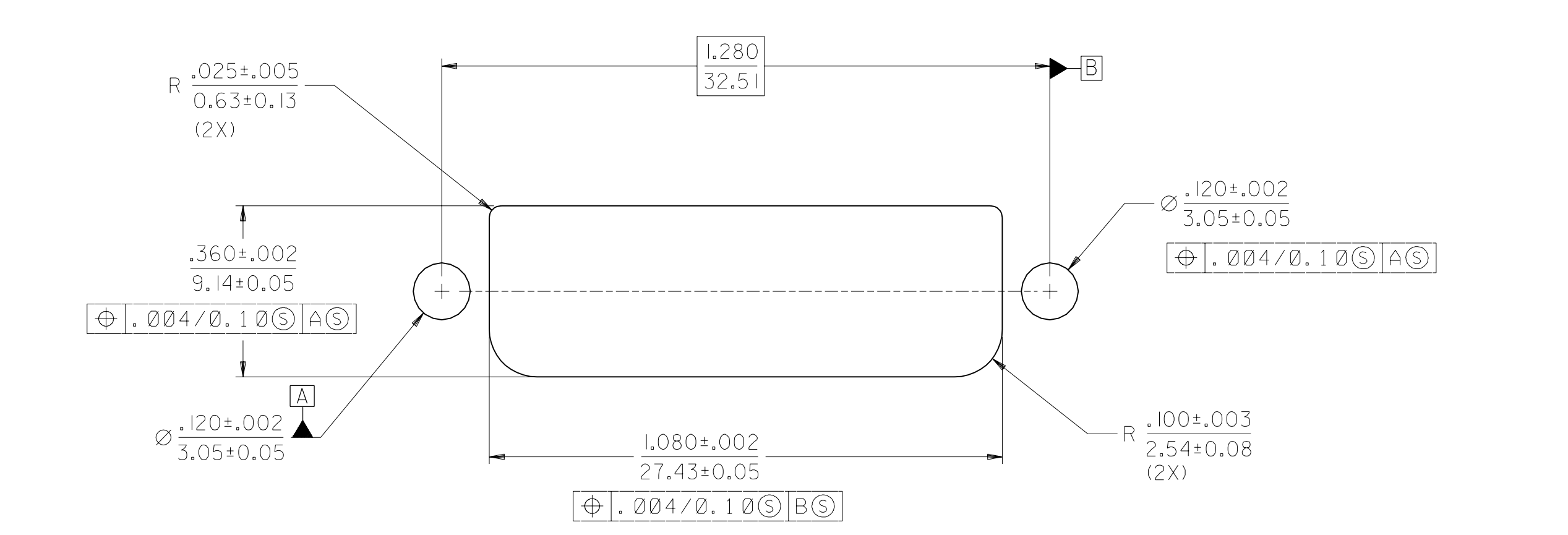
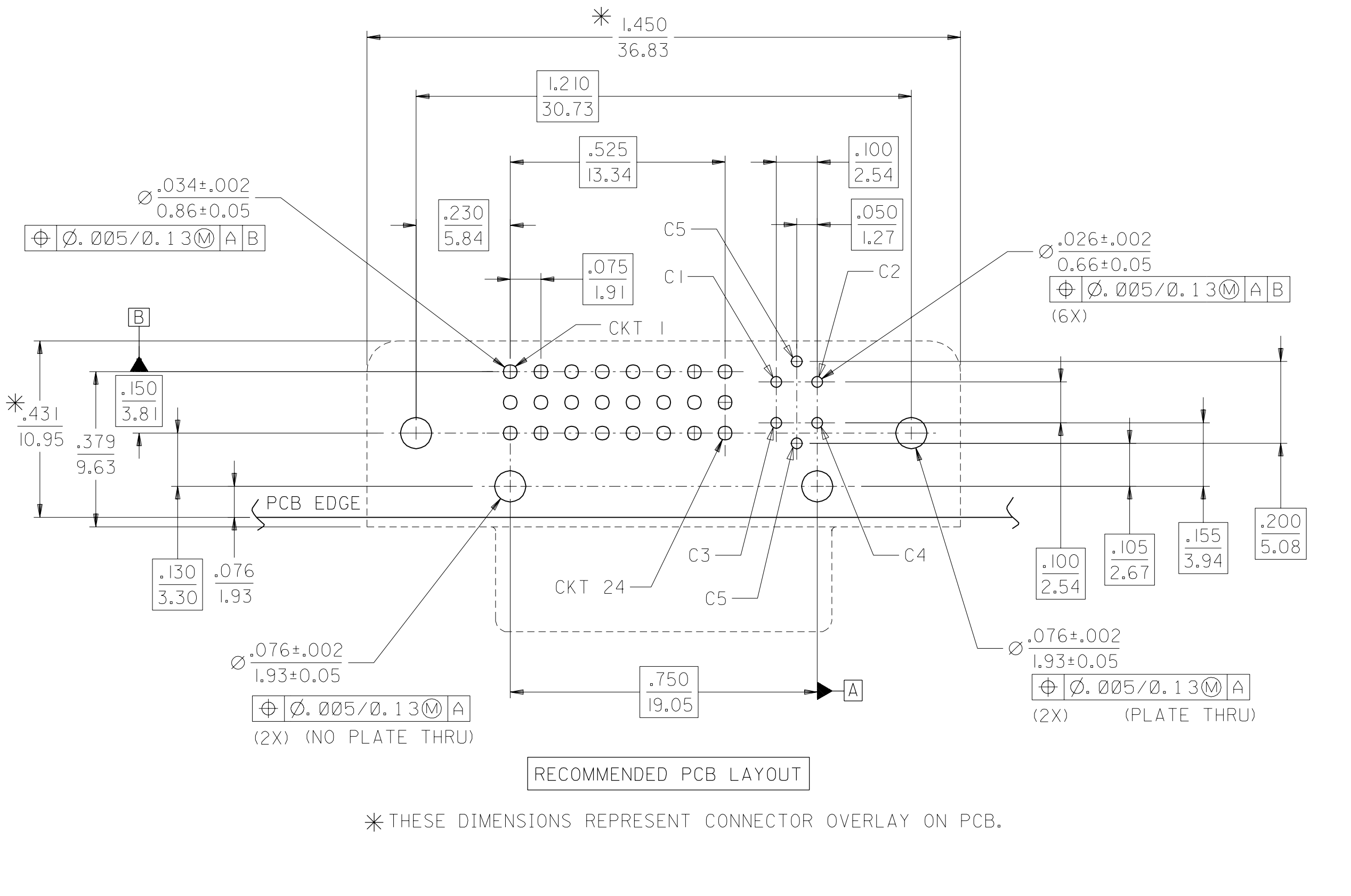
1. MATERIALS:
SHIELD -- DEEP DRAW STEEL.
HOUSING -- GLASS FILLED POLYMER, NATURAL (WHITE), UL 94v-0.
TAIL ALIGNER -- GLASS FILLED POLYMER, NATURAL (WHITE), UL 94v-0.
CONTACTS -- COPPER ALLOY.
MICROCROSS GROUND -- COPPER ALLOY.
 2. PLATING: SEE SHEET 2
 3. PRODUCT CONFORMS TO MOLEX PRODUCT SPECIFICATION NUMBER PS-74320-001. REFER TO THIS SPECIFICATION FOR SPACING ON A P.C.B. OF TWO OR MORE CONNECTORS WHEN USING A CABLE OR AN ADAPTER ASSEMBLY.
 4. SEE SHEET 2 FOR RECOMMENDED PANEL CUT-OUT AND P.C.B. LAYOUT.
 5. PARTS WILL BE PACKAGED IN TRAYS PER PK-74320-010.
 6. PRODUCT CONFORMS TO DDWG DVI SPECIFICATION. REFER TO THIS SPECIFICATION FOR CONNECTOR MATING DIMENSIONS.
 7. RECOMMENDED MOUNTING HARDWARE IS MOLEX P/N 7178I-0001 OR 82007-0300 OR 88780-6066.
REFER TO PRODUCT SPECIFICATION NUMBER PS-74320-001 FOR THE APPLICATION TORQUE REQUIREMENT FOR ASSEMBLING MOUNTING HARDWARE.
- ⚠ CAVITY ID AND MANUFACTURING PLANT CODE.



PART NUMBER	PLATING OPTION	DIM "A"	DIM "B"
74320-1000	1	.092/2.34	.080±.020
74320-1001	1	.050/1.27	2.03±0.51
74320-1003	1	.123/3.12	.110/2.79
74320-1004	2	.092/2.34	.080±.020
74320-1005	2	.050/1.27	2.03±0.51
74320-1006	2	.110/2.79	.110/2.79
74320-1007	2	.123/3.12	.110/2.79

MODIFICATION EC NO. SH2004-0130 DRWN: DXUE 04/03/04 CHK: HARVEY 04/03/11 APPR: SHUANG 04/03/12	QUALITY SYMBOLS MAJOR = 0 CRITICAL = 0	GENERAL TOLERANCES: (UNLESS SPECIFIED) 4 PLACES ±0. mm INCH ±. 3 PLACES ±0. mm INCH ±.010 2 PLACES ±0.25 mm INCH ±.010 1 PLACE ±0.25 mm INCH ±.010	SCALE 4 : 1 DESIGN UNITS <input type="checkbox"/> mm <input checked="" type="checkbox"/> INCH	THIRD ANGLE PROJECTION <input type="checkbox"/> mm ONLY <input checked="" type="checkbox"/> INCH ONLY	DIMENSIONS: <input type="checkbox"/> mm ONLY <input checked="" type="checkbox"/> INCH ONLY	SHT REV
	DRAWN BY & DATE MOSULLIV 99/02/12	TITLE: DVI - INTERGRATED RIGHT ANGLE RECEPTACLE CONNECTOR		MOLEX INCORPORATED		
	CHECKED BY & DATE MOSULLIV 99/02/12	APPROVED BY & DATE NELLIGAN 99/02/15		CAD FILENAME SD74320001.S01	MATERIAL NO. SEE CHART	DRAWING NO. SD-74320-001

THIS DRAWING CONTAINS INFORMATION THAT IS PROPRIETARY TO MOLEX INCORPORATED AND SHOULD NOT BE USED WITHOUT WRITTEN PERMISSION.



MODIFICATION EC NO. SH2004-0130 DRWN: DXUE 04/03/05 CHK: HARVEY 04/03/11 APPR: SHUANG 04/03/12	QUALITY SYMBOLS MAJOR $\nabla=0$ CRITICAL $\nabla c=0$	GENERAL TOLERANCES: (UNLESS SPECIFIED)		SCALE 4 : 1	DESIGN UNITS <input type="checkbox"/> mm <input checked="" type="checkbox"/> INCH	THIRD ANGLE PROJECTION	DIMENSIONS: <input type="checkbox"/> INCH ONLY <input checked="" type="checkbox"/> mm <input type="checkbox"/> INCH ONLY	SHT REV	
		4 PLACES $\pm 0.$ $\pm .$	3 PLACES $\pm 0.$ $\pm .010$	2 PLACES ± 0.25 $\pm .010$	1 PLACE ± 0.25 $\pm .010$	DRAWN BY & DATE MOSULLIV 99/02/12	TITLE: DVI - INTERGRATED RIGHT ANGLE RECEPTACLE CONNECTOR		
		ANGULAR: $\pm 1/2^\circ$				CHECKED BY & DATE MOSULLIV 99/02/12	MOLEX INCORPORATED		
		DRAFT WHERE APPLICABLE MUST REMAIN WITHIN DIMENSIONS				APPROVED BY & DATE NELLIGAN 99/02/15	CAD FILENAME SD7432001.S02	MATERIAL NO. SEE CHART	DRAWING NO. SD-74320-001
THIS DRAWING CONTAINS INFORMATION THAT IS PROPRIETARY TO MOLEX INCORPORATED AND SHOULD NOT BE USED WITHOUT WRITTEN PERMISSION.								SIZE C	